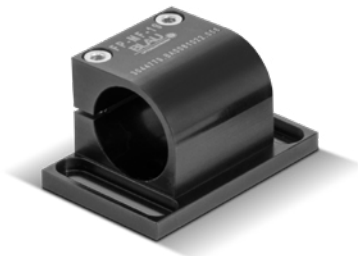


## FP-MF-19

Standard Mount for Laser Modules with 19 mm Diameter

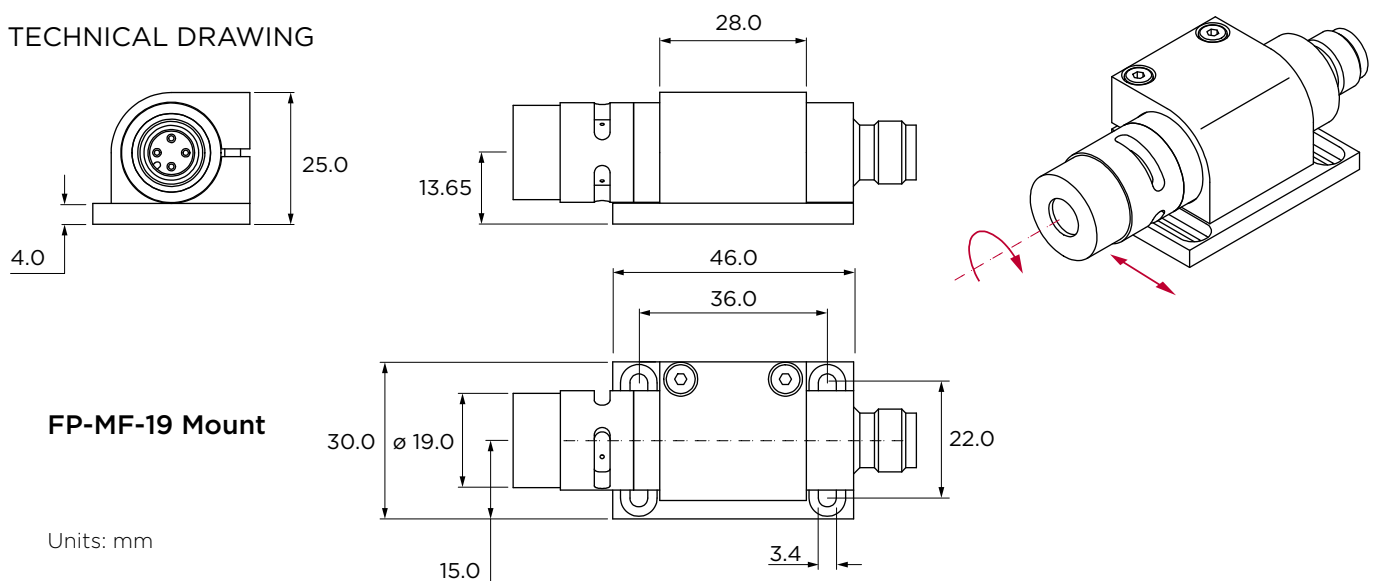


This mount can be used for all laser modules with 19 mm diameter and a cylindrical housing for easy integration and incorporation. The FP-MF-19 offers a relatively wide clamping range to ensure sufficient heat dissipation during the operation of the laser module. The best position to mount the module is indicated in the technical drawing in the data sheet of the module or the manual. This mount is suitable for the following laser modules: MVmicro, MVmicro-ST, MVpulse and MVpulseHP, HD series.

### FEATURES

- / Standard mount for FLEXPOINT® laser modules with 19 mm diameter
- / Made of aluminum
- / Large clamping area for optimal heat dissipation to the ground plane
- / The laser module remains focussable within the mount

### TECHNICAL DRAWING



/ Germany and Other Countries LASER COMPONENTS Germany GmbH Tel +49 8142 2864-0 info@lasercomponents.com www.lasercomponents.com  
 / France LASER COMPONENTS S.A.S. Tel +33 1 39 59 52 25 info@lasercomponents.fr www.lasercomponents.fr  
 / United Kingdom LASER COMPONENTS (UK) Ltd. Tel +44 1245 491 499 info@lasercomponents.co.uk www.lasercomponents.co.uk  
 / Nordic Countries LASER COMPONENTS Nordic AB Tel +46 31 703 71 73 info@lasercomponents.se www.lasercomponents.se  
 / USA LASER COMPONENTS USA, Inc. Tel +1 603 821-7040 info@laser-components.com www.laser-components.com