

FP-MG-19

Mount for Laser Modules with 19 mm diameter



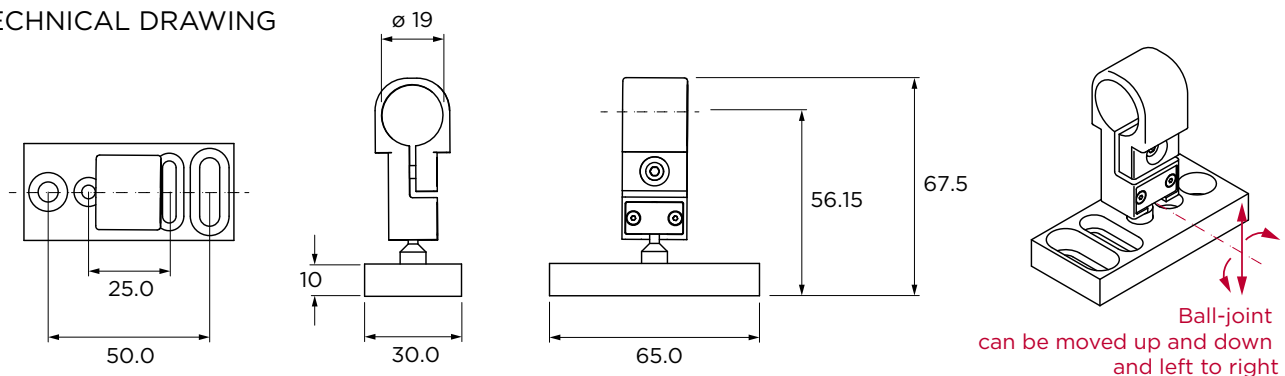
MOUNT FOR LASER MODULES WITH 19 MM DIAMETER ALLOWING MAXIMUM FLEXIBILITY

By using the FP-MS-19 mount, laser modules with a 19 mm cylindrical diameter can be mounted easily and integrated into your applications quickly. The mount is made out of aluminium and anodised in black. It allows for maximum flexibility and the module can be moved up and down and 360° in x and y direction.

FEATURES

- / Mount for laser modules with a 19 mm cylindrical diameter
- / Made out of aluminium, anodised in black
- / The mount allows maximum flexibility
- / Suitable for HD series, Flexpoint dot, line and DOE with ruggedized housing, MVmicro

TECHNICAL DRAWING



FP-MG-19 Mount

Units: mm

/ Germany and Other Countries LASER COMPONENTS Germany GmbH Tel +49 8142 2864-0 info@lasercomponents.com www.lasercomponents.com
 / France LASER COMPONENTS S.A.S. Tel +33 1 39 59 52 25 info@lasercomponents.fr www.lasercomponents.fr
 / United Kingdom LASER COMPONENTS (UK) Ltd. Tel +44 1245 491 499 info@lasercomponents.co.uk www.lasercomponents.co.uk
 / Nordic Countries LASER COMPONENTS Nordic AB Tel +46 31 703 71 73 info@lasercomponents.se www.lasercomponents.se
 / USA LASER COMPONENTS USA, Inc. Tel +1 603 821-7040 info@laser-components.com www.laser-components.com