

## FLEXPOINT® Laser Diode Modules FP-Mini Series

### Smallest Design – Highest Quality

The FLEXPOINT® laser diode module FP-Mini-series is characterized by an extremely small design. This allows the modules to be integrated into systems with practically no available space. The modules are equipped with a variable lens that can be adjusted to focus or collimate a laser beam. The FP-Mini-series is available at different power levels with red and green wavelength.



### Specifications

Beam profile	dot laser
Wavelength	520 nm / 635 nm / 650 nm
Output power	1 mW or 4.9 mW
Power stability	< 5%
Beam diameter at output	approx. 2.5 mm x 0.8 mm
Divergence	< 1.5 mrad
Supply voltage	4.5 – 6 VDC
Power consumption	< 50 mA / <100 mA for 520 nm
Dimensions	15 mm x 8 mm (l x Ø), l = 40 mm for 520 nm with fix focus l = 44 mm for 520 nm with adjustable focus
Housing	aluminum, black anodized, potential-free
Length of wires	500 mm
Protection circuits	surge, voltage peak, and reverse voltage protection
Operating temperature	0 °C – 50 °C (635 nm: 0 °C – 40 °C)
Storage temperature	-10 °C to +60 °C
Options	digital modulation up to 10 kHz dimmbable by third wire (not for 520 nm)

#### Germany & Other Countries

Laser Components Germany GmbH  
Tel: +49 8142 2864 - 0  
Fax: +49 8142 2864 - 11  
info@lasercomponents.com  
[www.lasercomponents.com](http://www.lasercomponents.com)

#### France

Laser Components S.A.S.  
Tel: +33 1 39 59 52 25  
Fax: +33 1 39 59 53 50  
info@lasercomponents.fr  
[www.lasercomponents.fr](http://www.lasercomponents.fr)

#### United Kingdom

Laser Components (UK) Ltd.  
Tel: +44 1245 491 499  
Fax: +44 1245 491 801  
info@lasercomponents.co.uk  
[www.lasercomponents.co.uk](http://www.lasercomponents.co.uk)

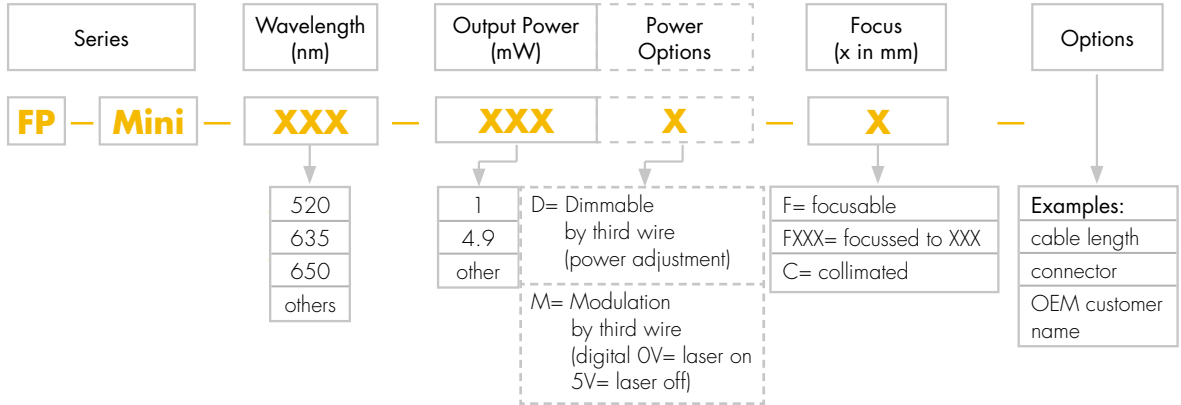
#### Nordic Countries

Laser Components Nordic AB  
Tel: +46 31 703 71 73  
Fax: +46 31 703 71 01  
info@lasercomponents.se  
[www.lasercomponents.se](http://www.lasercomponents.se)

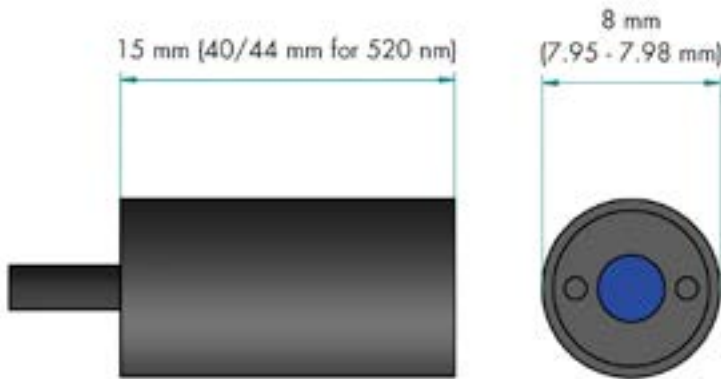
#### USA

Laser Components USA, Inc.  
Tel: +1 603 821 - 7040  
Fax: +1 603 821 - 7041  
info@laser-components.com  
[www.laser-components.com](http://www.laser-components.com)

### Ordering Code FLEXPOINT® FP-Mini Series



### Mechanical Drawings



### Product Changes

LASER COMPONENTS reserves the right to make changes to the product(s) or information contained herein without notice.

No liability is assumed as a result of their use or application.

### Ordering Information

Products can be ordered directly from LASER COMPONENTS or its representatives. For a complete listing of representatives, visit our website at [www.lasercomponents.com](http://www.lasercomponents.com)

Custom designed products are available on request.