

## FP-MP-30

Precision Mount for Laser Modules with 30 mm Diameter

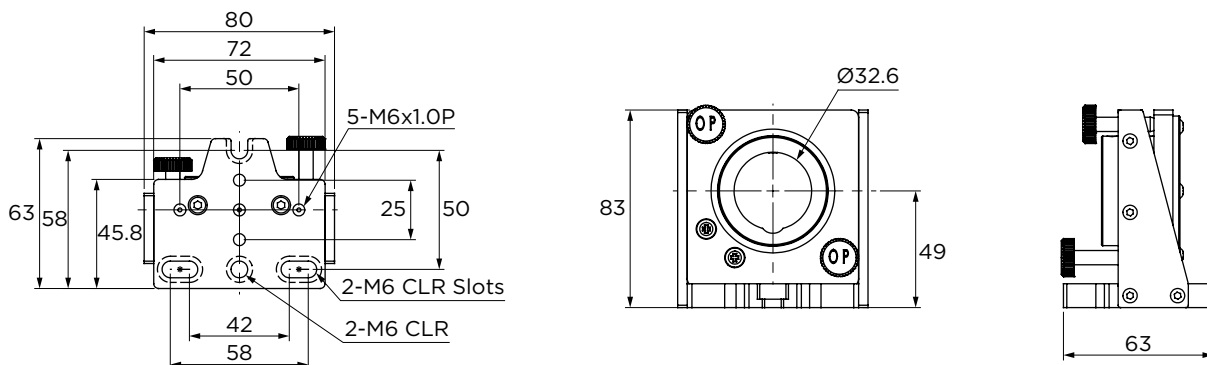


The FP-MP-30 is the ideal mount for precise mounting of Long Range Laser Modules with 30 mm diameter, such as the LR-Series from LASER COMPONENTS. The angular adjustment is done by 100-pitch screws over 4° range. The unique disc-spring design provides superior stiffness and stability.

### FEATURES

- / 2-axis adjustment
- / 100-pitch screws
- / 4° range
- / Fixation with 2.5 mm allen key
- / M6 threads for mounting on a tripod

### TECHNICAL DRAWING



### FP-MP-30 Mount

Units: mm

/ Germany and Other Countries LASER COMPONENTS Germany GmbH Tel +49 8142 2864-0 info@lasercomponents.com www.lasercomponents.com  
 / France LASER COMPONENTS S.A.S. Tel +33 1 39 59 52 25 info@lasercomponents.fr www.lasercomponents.fr  
 / United Kingdom LASER COMPONENTS (UK) Ltd. Tel +44 1245 491 499 info@lasercomponents.co.uk www.lasercomponents.co.uk  
 / Nordic Countries LASER COMPONENTS Nordic AB Tel +46 31 703 71 73 info@lasercomponents.se www.lasercomponents.se  
 / USA LASER COMPONENTS USA, Inc. Tel +1 603 821-7040 info@laser-components.com www.laser-components.com