

FP-MS-M12

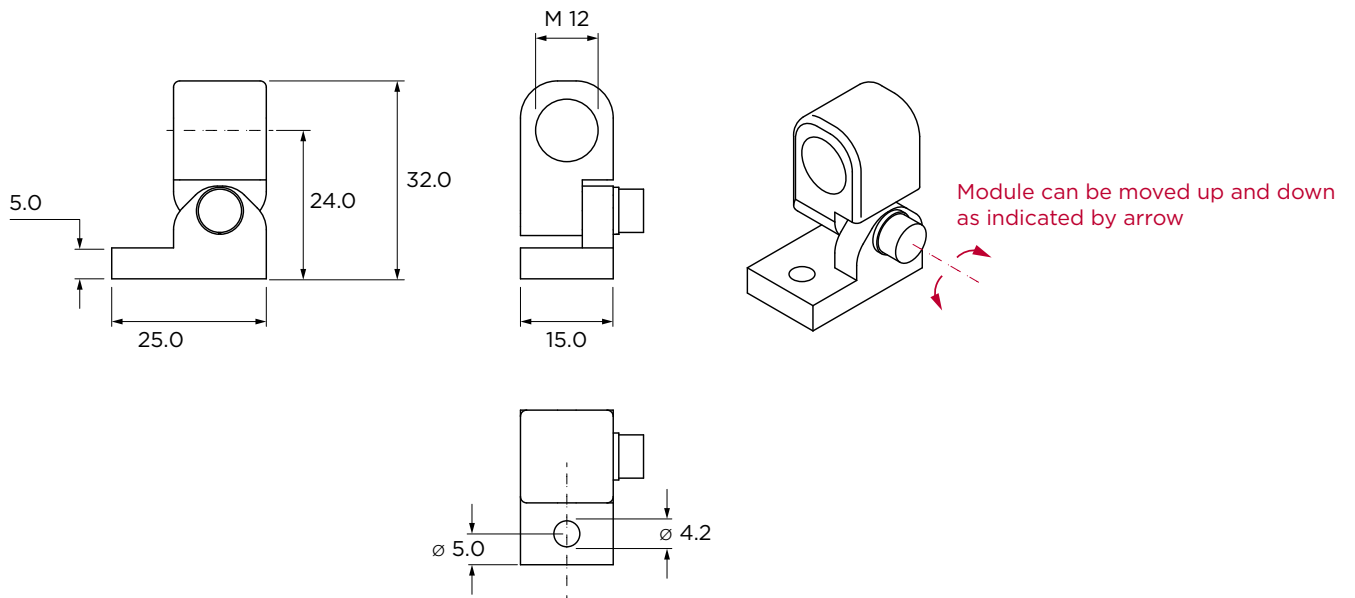
Mount for Laser Modules with M12 Threaded Housing



FEATURES

- / Standard mount for laser modules with M12 threaded housing
- / Made out of aluminium, anodised in black
- / The module can be moved up and down within the mount as indicated by the red arrow
- / Specially designed for ILM12F/ILM12IP laser modules

TECHNICAL DRAWING



FP-MS-M12 Mount

Units: mm

/ Germany and Other Countries LASER COMPONENTS Germany GmbH Tel +49 8142 2864-0 info@lasercomponents.com www.lasercomponents.com
 / France LASER COMPONENTS S.A.S. Tel +33 1 39 59 52 25 info@lasercomponents.fr www.lasercomponents.fr
 / United Kingdom LASER COMPONENTS (UK) Ltd. Tel +44 1245 491 499 info@lasercomponents.co.uk www.lasercomponents.co.uk
 / Nordic Countries LASER COMPONENTS Nordic AB Tel +46 31 703 71 73 info@lasercomponents.se www.lasercomponents.se
 / USA LASER COMPONENTS USA, Inc. Tel +1 603 821-7040 info@laser-components.com www.laser-components.com