



LASER SYSTEM

He-Cd Laser Power Supply Model : KP2014C

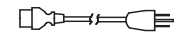
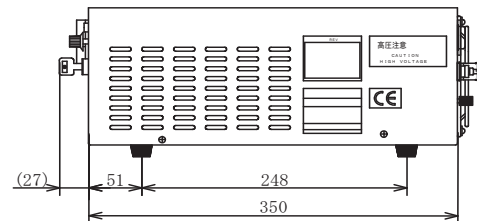
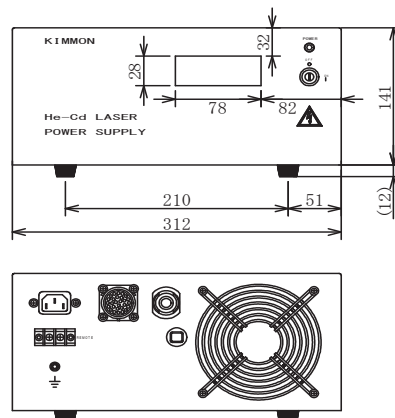


SPECIFICATIONS

Input Voltage (V) Frequency (Hz)	Power Consumption (W)	Weight (kg)	Environmental Condition	Vibration (Operation) (G)	Vibration (Storage) (G)	Shock (with kimmon packaging) (G)
AC100~240V 50/60Hz	< 350 (IK****R-B)	8.0	Operation 10~40°C ≤90%RH Storage -10~50°C ≤90%RH	< 0.25	< 2.0	< 20.0
	< 480 (IK****R-C)					
	< 500 (IK****R-D)					
	< 610 (IK****R-E)					
	< 660 (IK****R-F)					
< 720 (IK****R(I)-G)						

* Specifications subject to change without notice.

Dimensions (mm)



AC CABLE : 2000±20

KIMMON KOHA CO., LTD.