

785.0nm VBG Stabilized Coaxial Laser Diode



NECSEL presents a VBG® wavelength stabilized 785.0nm laser diode in a compact TO-56 can based coaxial package. The NECSEL patented VBG® wavelength stabilization method offers a stable operation over a wide range of operational temperatures and power levels. The compact, low cost TO package makes this product applicable to many uses. An internal 10kΩ Thermistor allows for accurate temperature monitoring of laser diode to facilitate temperature control of assembly.

Superior Performance:

- Precise Wavelength ± 0.5 nm
- Narrow Line Width < 0.01 nm
 < 2 kHz
- Optical Power ≥ 80 mW
- Low Temp. drift ~ 0.01 nm/°C
- Internal Thermistor
- Collimating lens

Advantages:

- Compact
- Economical
- Integrated ASE Clean Up filter available
- Ease of System Integration

Applications:

- DPSS Pump
- Sensing
- Medical
- Military

Operational Specifications

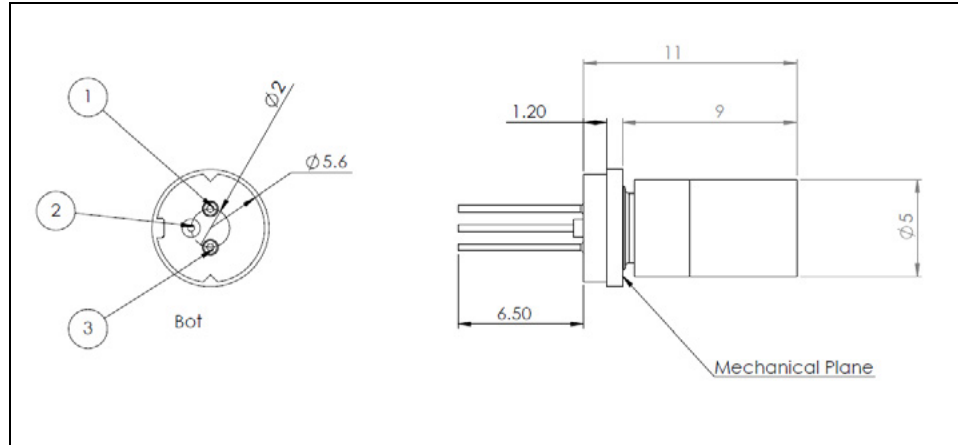
Parameter	Unit	Minimum	Typical	Maximum
Center Wavelength	nm	784.5	785.0	785.5
Spectral Linewidth FWHM	nm		0.01	
Output Power	mW	80	-	-
Beam Diameter	mm		1.0	
Beam Divergence - Vertical	mrاد		1.2	
Beam Divergence - Horizontal	mrاد		1.1	
Beam Stability (8-hour)	μrad			50
Polarization Extinction Ratio			100:1	
Operating Voltage	Volts		2.6	3.0
Operating Current	mA		150	200
Threshold Current	mA		60	100
Operating Temperature with Stabilization	°C	10	25	40

Specifications Subject to Change

7-30-18

785.0nm VBG Stabilized Coaxial Laser Diode

Dimensions and Pinout Options



PIN Assignment	Function
1	TH+
2	Case Ground Laser Cathode TH-
3	Laser Anode

All dimensions are in mm

Part Number System

LML-785.0T5-XX

- T5 indicates TO-56 package.
 - XX=11 No ASE filter
 - XX=12 Includes ASE filter
- Customer specific devices can be created.

Note: Other wavelengths are also available. Please contact info@pd-ld.com for further information



Specifications Subject to Change

7-30-18