



NECSEL™ GREEN

GREEN LASER DRIVER

Version 1.0



SUPERIOR & RELIABLE

The Necsel Green Driver gives users complete control over current and PPLN temperature settings of the Necsel family of green lasers. The driver can be purchased as a developer's kit including all connection cables, power supply, and integrated software.

FEATURES

- Autostart
- Internal/External Pulsing
- Safety Monitoring
- PPLN Temperature Control
- Analog Control
- Windows GUI
- Optional PCB Version

ATTRIBUTES

- Safety Interlock
- PPLN Control
- TTL External Trigger
- USB & RS-232 Connection
- 12 V DC input Power
- Power On Indicator
- Laser On Indicator

SPECIFICATIONS SUMMARY

Input Current	7.5 A
Laser Output Voltage	3 V
Laser Output Current	25 A
Laser Output Adjustment	0.1%

LASER CURRENT

Laser Current Ripple	< 1.0%
Laser Current Rise/ Fall Time	~500 μ s
External Bias for Full Scale Laser Current	0-3 V

PPLN SPECIFICATIONS

PPLN Output Voltage	10.8 V Max
PPLN Output Current	0.5 A
PPLN Temperature Regulation	+/- 0.05 $^{\circ}$ C
PPLN Temperature Setting Range	70-110 $^{\circ}$ C

OPTIONAL ACCESSORIES



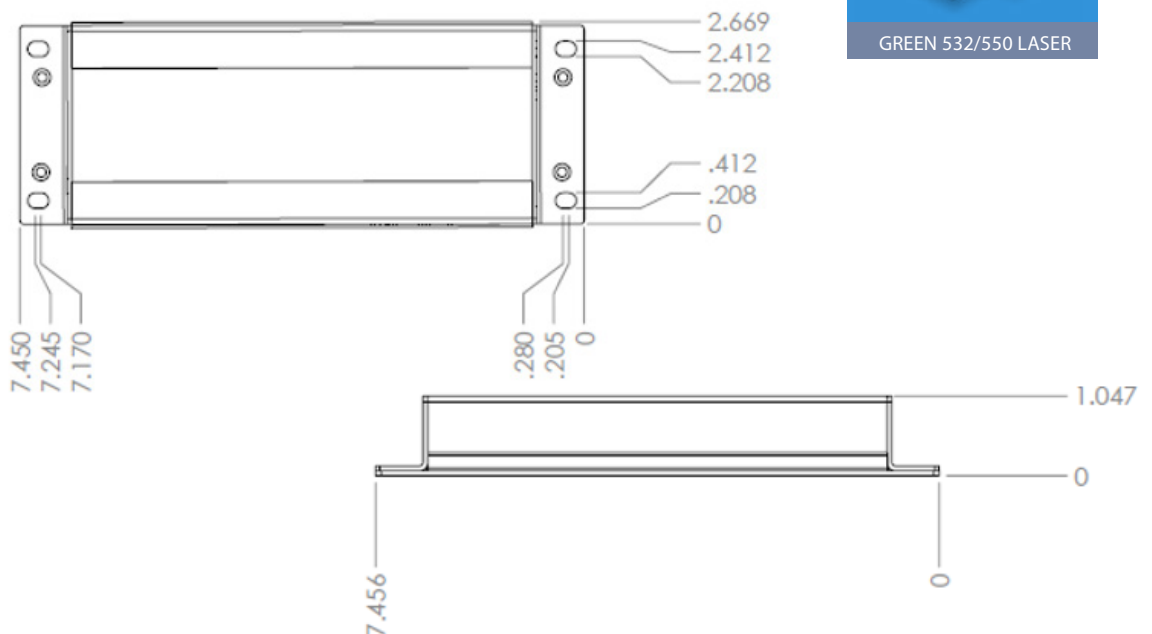
TRANSPORT FIBER



DEVELOPER'S KIT



GREEN 532/550 LASER



©2012 Necsel IP Inc. All rights reserved. Necsel reserves the right to change product specifications without notice. For complete details, please visit our website.