

InGaAs-Photodiodes Package Drawings & Cooling Specifications

This datasheet summarizes all standard package drawings and figures for our regular and extended-InGaAs-photodiodes: IG17, IG19, IG22, IG24 and IG26.

Additional drawings and additional custom packages are available on request.

Specifications can be found on their respective datasheets.



Part Number Designation

C-	Chip only	Type	Diameter		Package Style	
		IG17X	250	250 µm	S4i	TO-46, isolated
		IG19X	500	500 µm	S4ix	TO-46, no window
		IG22X	1000	1 mm	G1i	TO-39, isolated
		IG24X	1300	1.3 mm	G1ix	TO-39, no window
		IG26X	2000	2 mm	T7	TO-37, single stage TEC
			3000	3 mm	T9	TO-66, dual stage TEC
				L5	TO-46 with lens	
				M2	2 pad PCB SMD (large volume, for IG17 only)	

Standard window: Borosilicate glass
Other window materials and coating options are available on request.

Note: Not every IG type is available in every chip diameter.

This datasheet contains the following drawings and figures:

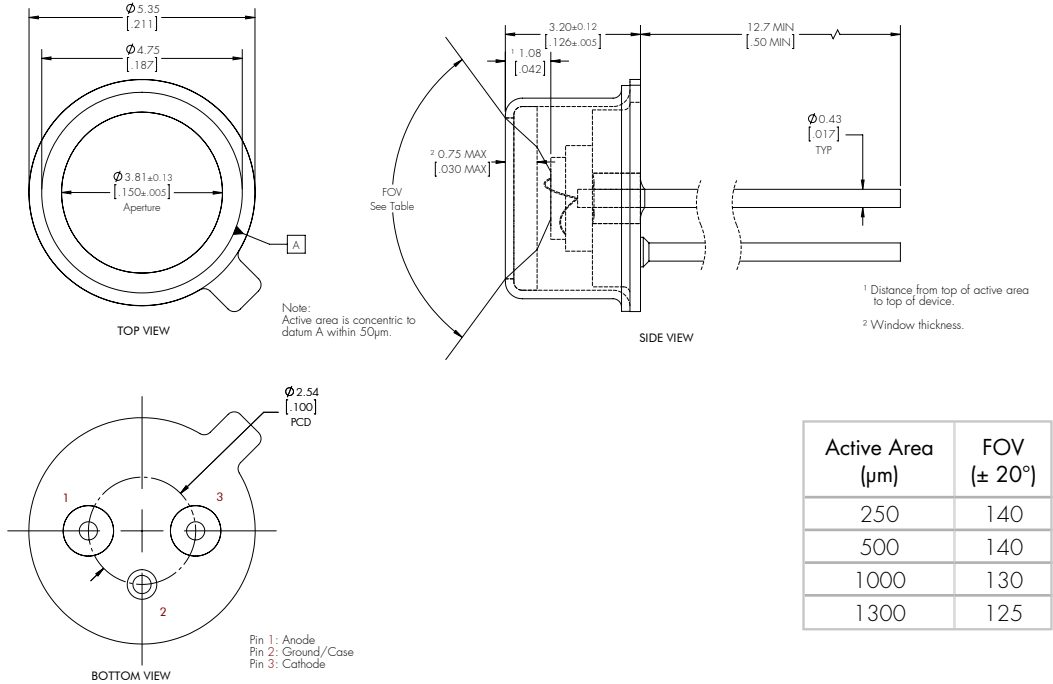
No.	Part Code	Package	Cooling	Drawing is valid for:
1.	S4i	TO-46, isolated	-	All materials, up to Ø1.3 mm
2.	G1i	TO-39, isolated	-	All materials
3.	T7	TO-37, isolated	single stage TEC	Regular InGaAs
4.	T7	TO-37, isolated	single stage TEC	Extended InGaAs
5.	T9	TO-66, isolated	dual stage TEC	Regular InGaAs
6.	T9	TO-66, isolated	dual stage TEC	Extended InGaAs
7.	L5	TO-46 with lens cap, isolated	-	All materials, up to Ø1.3 mm
8.	M2	2 pad PCB SMD	-	Regular InGaAs, up to Ø1 mm
9.	C-	Chip overview		

Figures

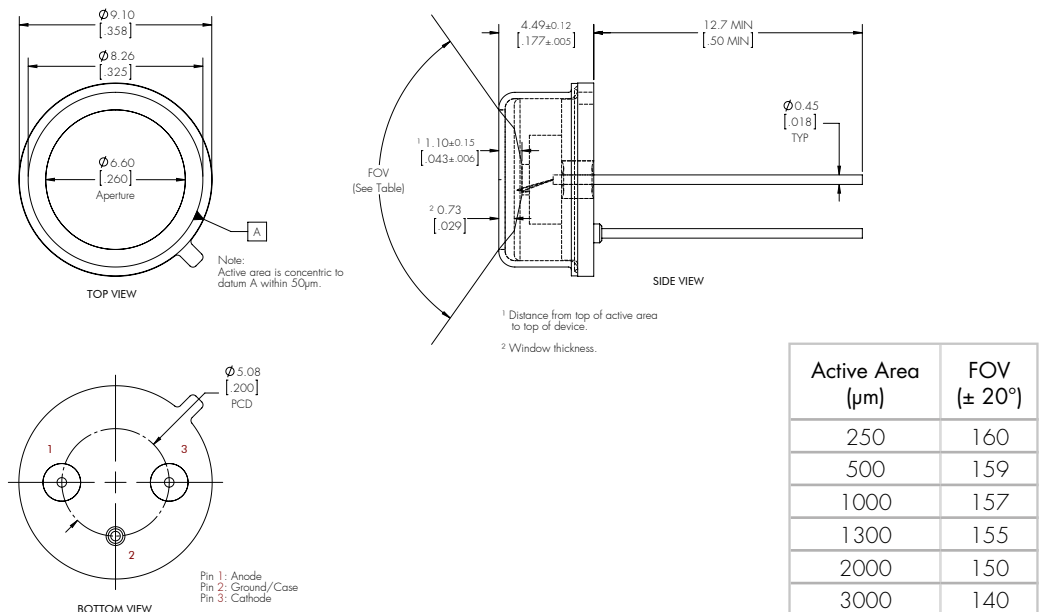
1.	TEC Voltage vs. Temperature
2.	TEC Current vs. Temperature
3.	TEC Power vs. Temperature
4.	T7 Thermistor Temperature Characteristic
5.	T9 Thermistor Temperature Characteristic

Drawings

1. S4i

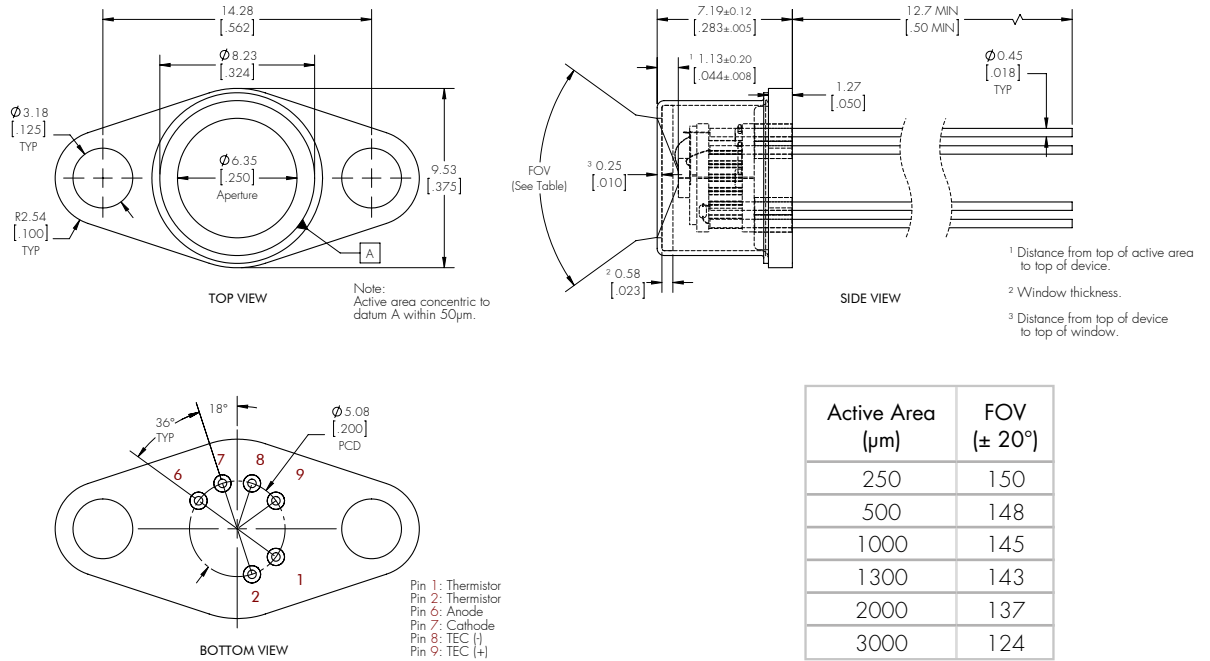


2. G1i

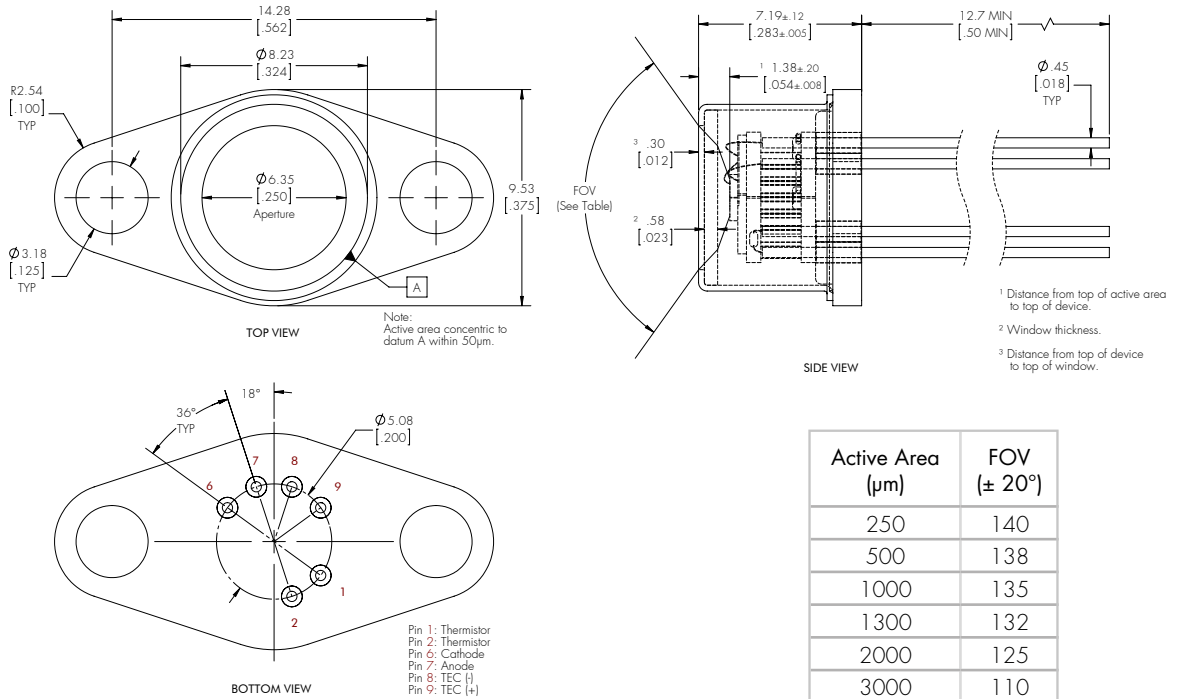


04/21 / V04 / MB1F / lcingaas/ingaas-photodiodes-packaged-drawings

3. T7 for regular InGaAs (IG17)

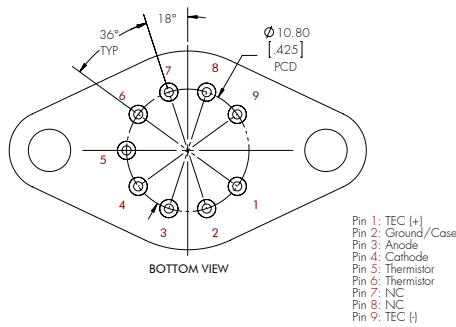
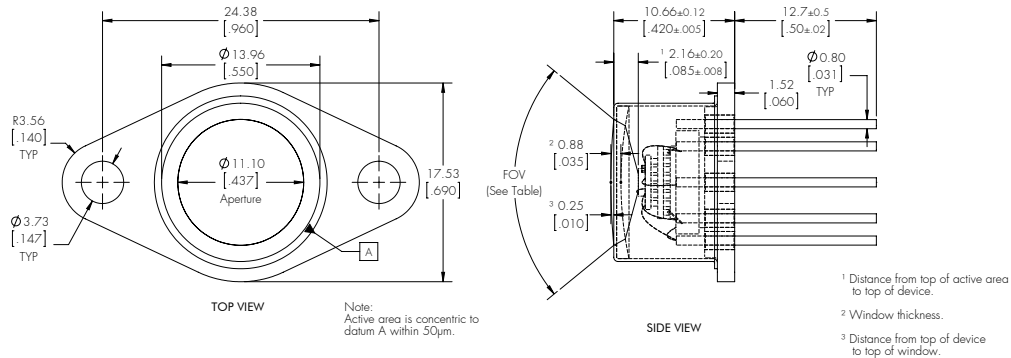


4. T7 for extended InGaAs (IG 19... series)



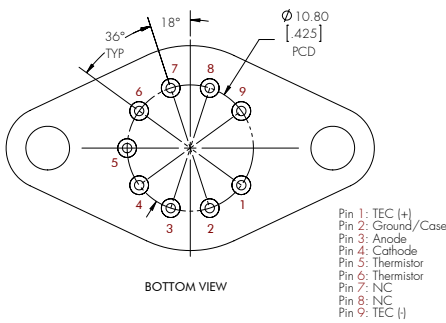
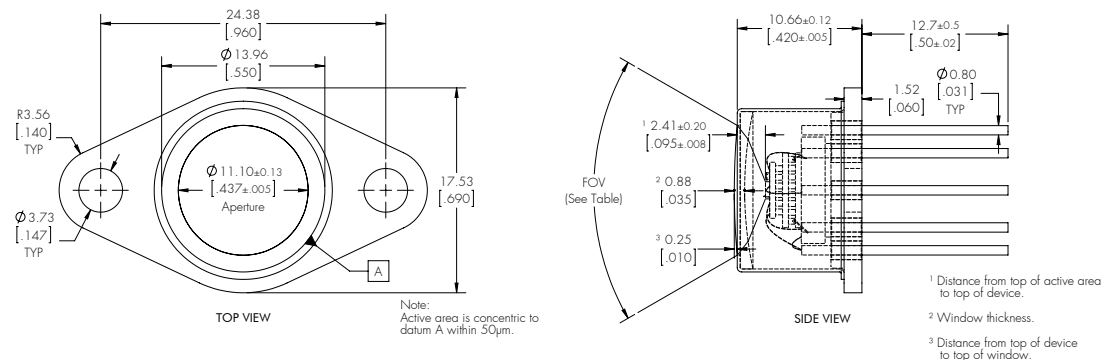
04/21 / V04 / MB:IF / 1cingaas/ingaas-photodiodes-packaged-drawings

5. T9 for regular InGaAs (IG17)



Active Area (µm)	FOV (± 20°)
250	144
500	143
1000	141
1300	140
2000	137
3000	131

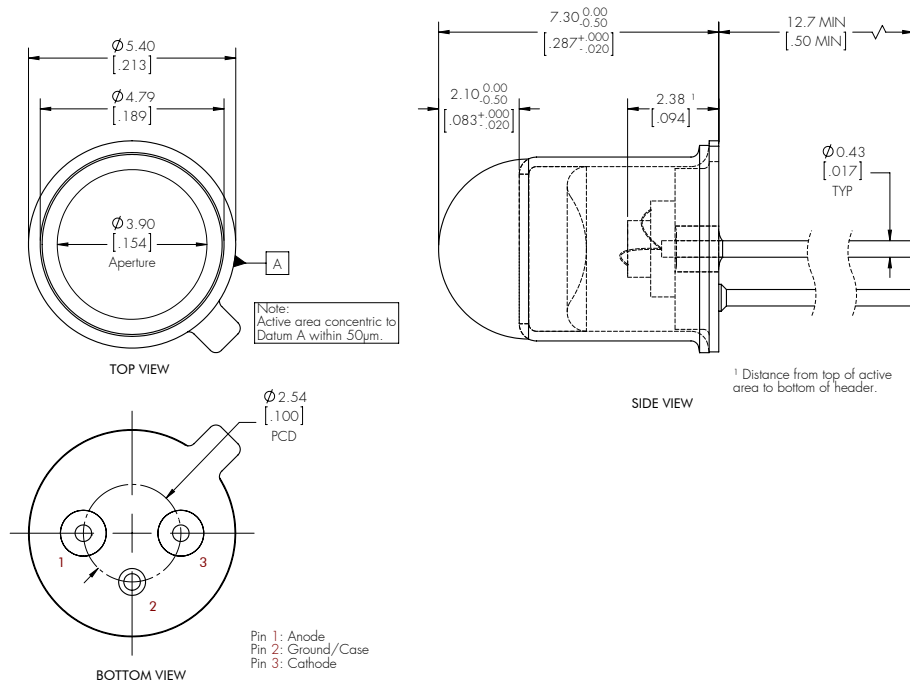
6. T9 for extended InGaAs (IG19... series)



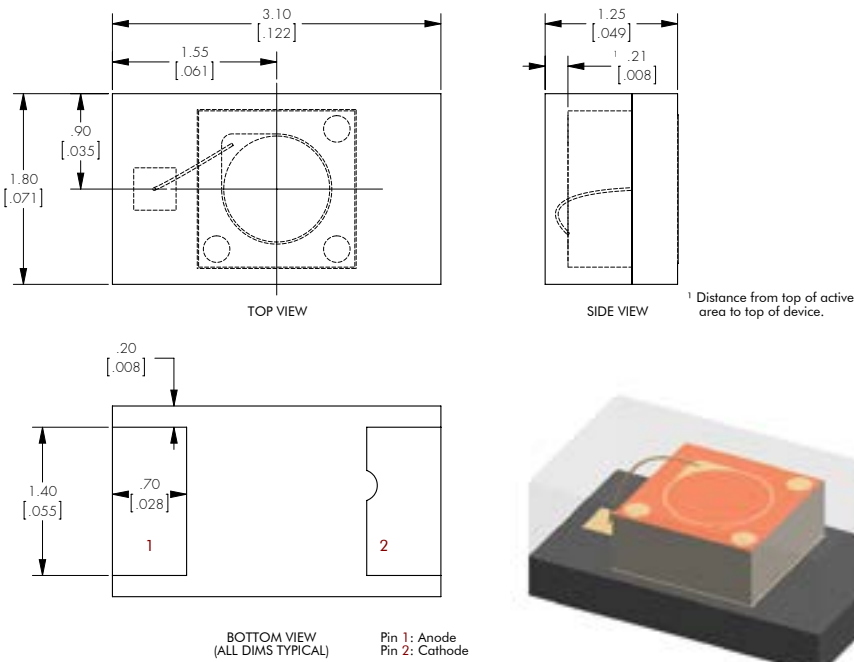
Active Area (µm)	FOV (± 20°)
250	139
500	138
1000	135
1300	134
2000	131
3000	125

04/21 / V04 / MB:IF / lcingaas/ingaas-photodiodes-packaged-drawings

7. L5

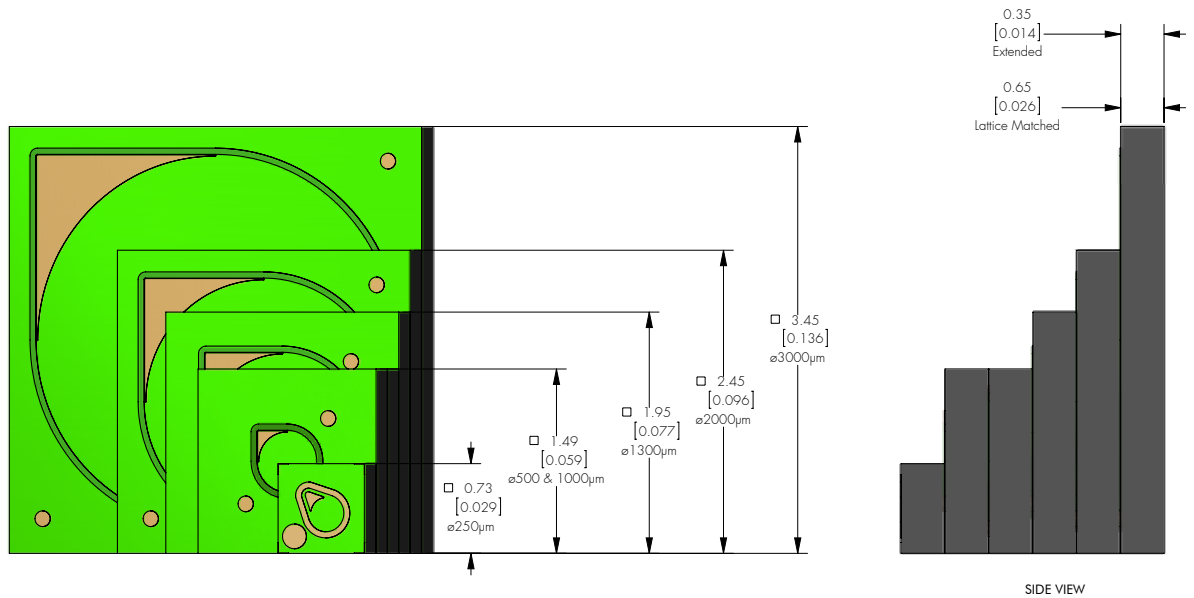


8. M2



04/21 / V04 / MBJF / lcingaas/ingaas-photodiodes-packaged-drawings

9. Chip Overview



Figures

Fig. 1: TEC Voltage vs. Temperature

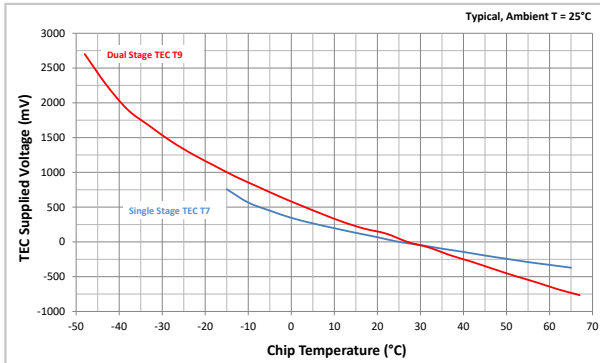


Fig. 2: TEC Current vs. Temperature

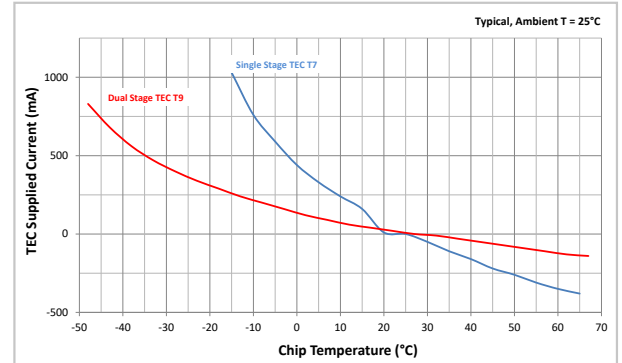


Fig. 3: TEC Power vs. Temperature

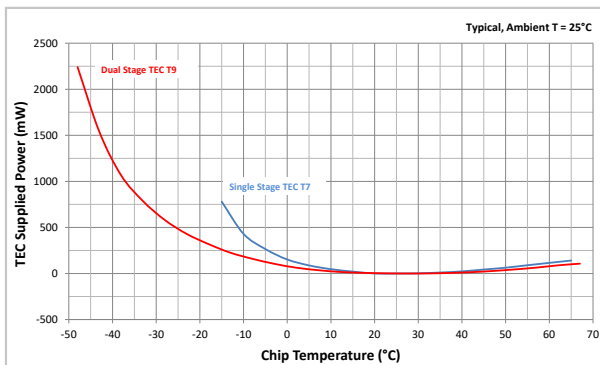


Fig. 4: T7 Thermistor Temperature Characteristics

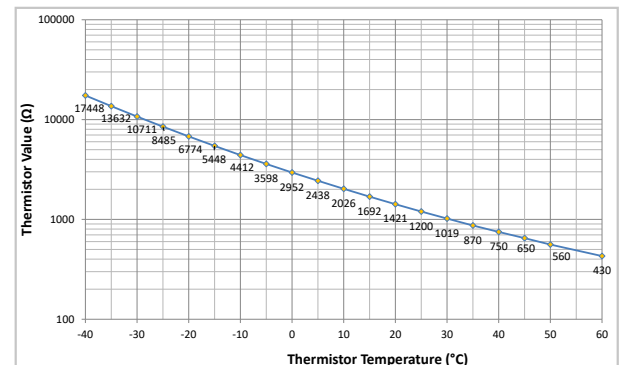
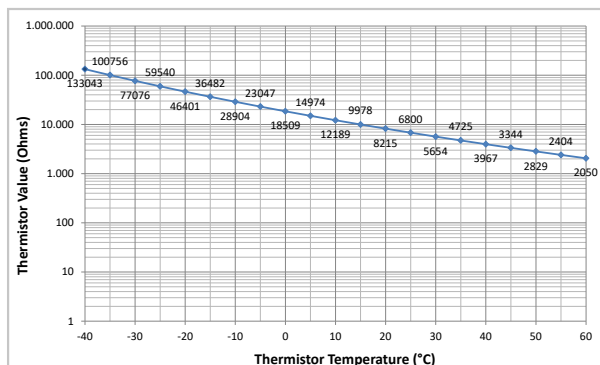


Fig. 5: T9 Thermistor Temperature Characteristic



Product Changes

LASER COMPONENTS reserves the right to make changes to the product(s) or information contained herein without notice. No liability is assumed as a result of their use or application.

Ordering Information

Products can be ordered directly from LASER COMPONENTS or its representatives. For a complete listing of representatives, visit our website at www.lasercomponents.com

Germany & Other Countries

Laser Components Germany GmbH
Tel: +49 8142 2864 - 0
Fax: +49 8142 2864 - 11
info@lasercomponents.com
www.lasercomponents.com

France

Laser Components S.A.S.
Tel: +33 1 39 59 52 25
Fax: +33 1 39 59 53 50
info@lasercomponents.fr
www.lasercomponents.fr

United Kingdom

Laser Components (UK) Ltd.
Tel: +44 1245 491 499
Fax: +44 1245 491 801
info@lasercomponents.co.uk
www.lasercomponents.co.uk

Nordic Countries

Laser Components Nordic AB
Tel: +46 31 703 71 73
Fax: +46 31 703 71 01
info@lasercomponents.se
www.lasercomponents.se

USA

Laser Components USA, Inc.
Tel: +1 603 821 - 7040
Fax: +1 603 821 - 7041
info@laser-components.com
www.laser-components.com