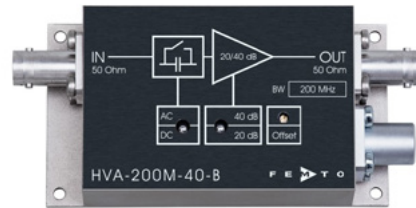


Datasheet

HVA-200M-40-B

200 MHz Low-Noise
Voltage Amplifier



Features

- **Switchable Gain 20/40 dB (x10 / x100)**
- **Bandwidth DC ... 200 MHz**
- **Low Input Noise of 1.2 nV/√Hz**
- **Switchable AC/DC Coupling**

Applications

- **Oscilloscope and Transient Recorder Preamplifier**
- **Photomultiplier and Microchannel Plate Amplifier**
- **Signal Booster for Optical Receivers and Current Amplifiers**
- **Time-Resolved Pulse and Transient Measurements**

Specifications

	Test Conditions	Vs = ± 15 V, Ta = 25°C
Gain	Gain	20/40 dB switchable
	Gain Accuracy	± 0.2 dB
Frequency Response	Lower Cut-Off Frequency (-3 dB)	DC/1 kHz switchable
	Upper Cut-Off Frequency (-3 dB)	200 MHz
	Rise/Fall Time (10% - 90%)	1.8 ns
Input	Input Impedance	50 Ω 12 pF
	Input Voltage Noise	1.2 nV/√Hz (@ 50 MHz, 40 dB gain) 3.5 nV/√Hz (@ 50 MHz, 20 dB gain)
	Integrated Input Noise	150 μV peak-peak (@ 40 dB gain)
		400 μV peak-peak (@ 20 dB gain)
	Input Bias Current	20 μA
	Input Offset Voltage	500 μV typ.
Input Voltage Drift	1 μV/°C	
Output	Output Impedance	50 Ω (terminate with 50 Ω load for best performance)
	Output Voltage	± 1 V (@ 50 Ω load, for linear amplification)
	Max. Output Current	60 mA
	Output Offset Trimmer Range	± 100 mV
	Slew Rate	500 V/μs (@ 20 dB, 50 Ω load)
		1,000 V/μs (@ 40 dB, 50 Ω load)
Power Supply	Supply Voltage	± 15 V
	Supply Current	± 70 mA typ. (depends on operating conditions, recommended power supply capability min. ± 150 mA)
Case	Weight	200 g (0.5 lbs)
	Material	AlMg4.5Mn, nickel-plated

SOPHISTICATED TOOLS FOR SIGNAL RECOVERY



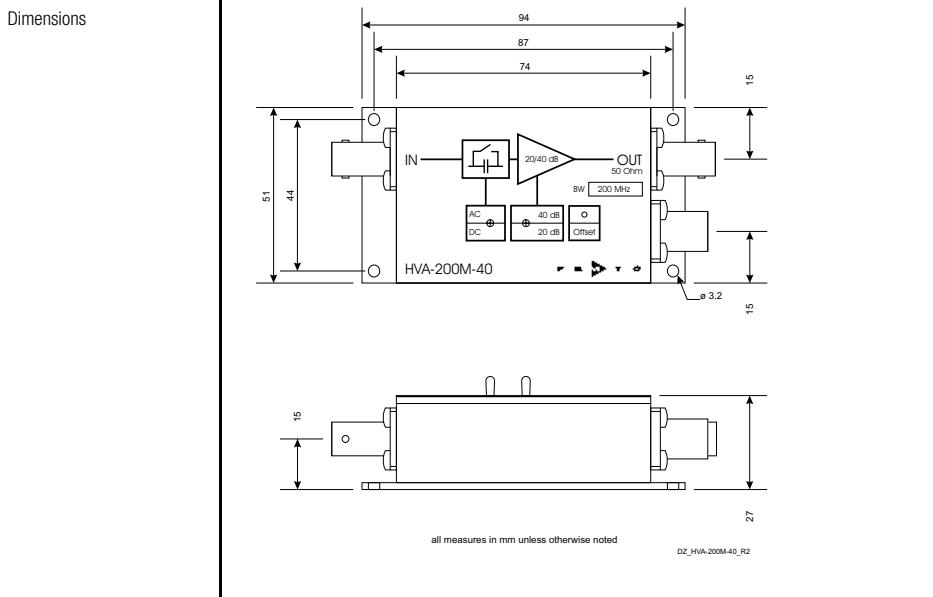
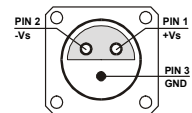
DE-HVA-200M-40-B_R5/JM/RA/21FEB2019

Datasheet

HVA-200M-40-B

**200 MHz Low-Noise
Voltage Amplifier**

Specifications (continued)		
Temperature Range	Storage Temperature Operating Temperature	- 40 ... + 100 °C 0 ... + 60 °C
Absolute Maximum Ratings	Power Supply Voltage Input Voltage	± 20 V ± 5 V
Connectors	Input Output Power Supply	BNC BNC LEMO series 1S, 3-pin fixed socket Pin 1: + 15V Pin 2: - 15V Pin 3: GND



Specifications are subject to change without notice. Information provided herein is believed to be accurate and reliable. However, no responsibility is assumed by FEMTO Messtechnik GmbH for its use, nor for any infringement of patents or other rights of third parties which may result from its use. No license is granted by implication or otherwise under any patent or patent rights of FEMTO Messtechnik GmbH. Product names mentioned may also be trademarks used here for identification purposes only.

© by FEMTO Messtechnik GmbH · Printed in Germany

SOPHISTICATED TOOLS FOR SIGNAL RECOVERY



04/24 / V04 / HW4F / femto/voltage/hva-200m-40-b