

iC-HTP DUAL CW P-TYPE LASER DIODE DRIVER

Rev D2, Page 1/51

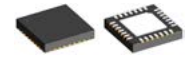
FEATURES

- ◆ Dual channel CW and pulsed operation up to 300 kHz
- ◆ Up to 1500 mA with both channels (750 mA each) combined
- ◆ 2.8 to 11 V power supply
- ◆ Operation with or without μ Controller
- ◆ Individual enable input per channel
- ◆ Individual laser power supply per channel
- ◆ Control loop accuracy better than 1%
- ◆ Internal programmable logarithmic monitor resistor
- ◆ Operating point setup with 10 bit logarithmic resolution
- ◆ ACC or APC mode individually configurable for each channel
- ◆ A/D converters for analog monitoring
- ◆ SPI or I²C programming interface
- ◆ Configuration content verification and validation
- ◆ Programmable laser overcurrent protection
- ◆ Optimized for P- and M-type laser diodes
- ◆ Low drop linear regulator for 3.3 V
- ◆ Low current standby mode
- ◆ Temperature monitor
- ◆ Temperature range -40 to 85 °C

APPLICATIONS

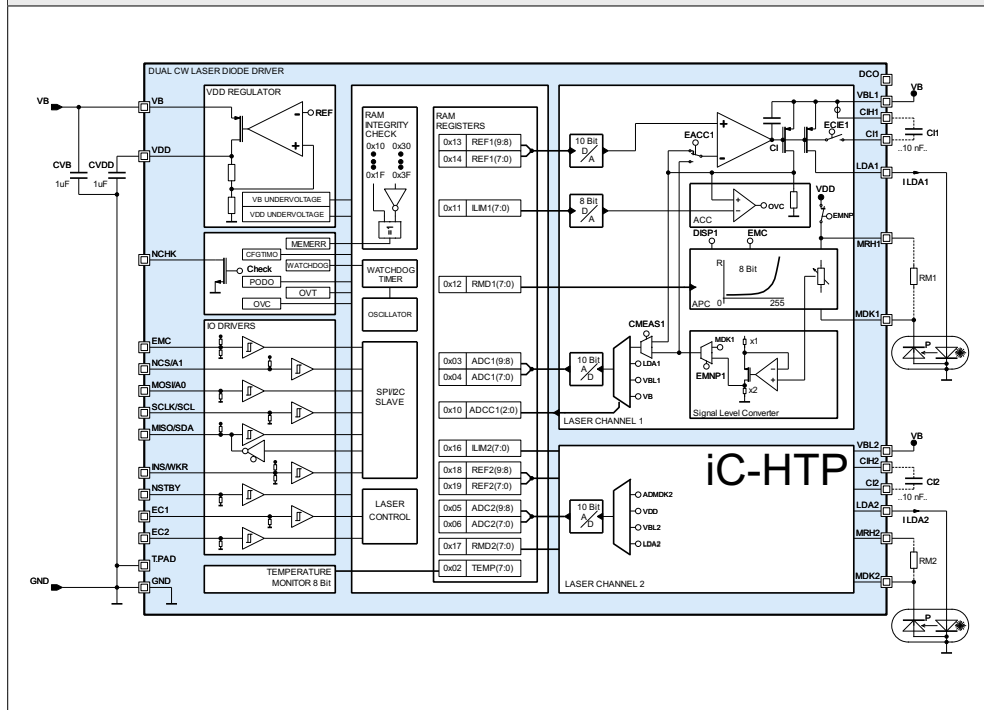
- ◆ Laser diode and LED modules
- ◆ CW P- and M-type laser diode drivers
- ◆ Embedded laser diode controllers
- ◆ Structured-light 3D illuminations
- ◆ Multiple laser diode control
- ◆ Optical amplification/pumping
- ◆ Safety related laser controllers

PACKAGES



QFN28 5 mm x 5 mm

BLOCK DIAGRAM



Copyright © 2015, 2021 iC-Haus

iC-HTP

DUAL CW P-TYPE LASER DIODE DRIVER

Rev D2, Page 2/51

DESCRIPTION

Dual CW laser diode driver iC-HTP can operate two individual laser diodes with up to 750 mA laser current, depending on the heat dissipation. Each channel can be enabled independently. The laser diode driver can be controlled by an external microcontroller (MCU mode) or operated stand-alone with pin/resistor configuration (iC-WK mode). In MCU mode, both channels can be combined for driving up to 1500 mA.

Each channel can be operated individually either in automatic current control (ACC) or automatic power control (APC). All parameters including the internal reference voltages are set via serial communication (I²C or SPI). A 10 bit resolution D/A converter with logarithmic characteristic is used for setting the operating point. This allows an operating point resolution better than 1%.

In APC control, the monitor diode photocurrent is used to track the optically emitted power of the laser diode. The feedback for the laser diode driver is the voltage drop of the photocurrent across a monitor resistor. An 8 bit internal programmable logarithmic monitor resistor (PLR) or an external monitor resistor can be selected for closing the control loop. The PLR ranges from 100 Ω to 407 kΩ with a step width less than 5%.

In ACC control, the laser diode current can be set directly. The current ranges are selectable.

iC-HTP disables the laser channels when an overcurrent threshold has been exceeded. The overcurrent threshold of each channel has 2 ranges and is programmable through an 8 bit linear D/A converter.

The temperature monitor measures the internal chip temperature. iC-HTP disables the laser channels when overtemperature is detected.

A variety of voltages can be measured with a 10 bit A/D converter. The following voltages can be measured:

- V(LDAx)
- V(VBLx)
- V(VDD)
- V(VB)
- V(PLRx)
- V(MDKx)
- V(RACCx)

The DCO current output pin can control an external DC/DC converter. Controlling the DC/DC output voltage can optimize the power dissipation of the whole system e.g. to extend battery life or reduce total power consumption.

iC-HTP in standby mode has a very low current consumption and does retain its configuration.

Features for **safe operation**:

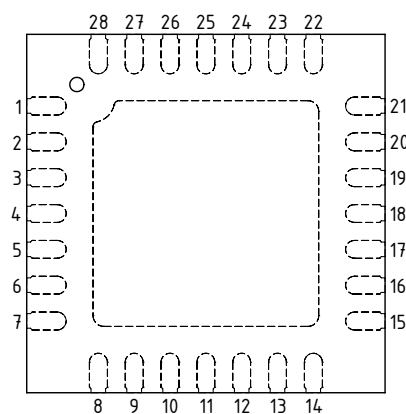
- Configuration verification
- Tri-state configuration pins
- Write protection in operating mode
- Safe default/startup state
- Software parameter controllable channel disabling
- Hardware pin controllable channel enabling
- Configuration timeout for access monitoring

iC-HTP DUAL CW P-TYPE LASER DIODE DRIVER

Rev D2, Page 3/51

PACKAGING INFORMATION QFN28 5 mm x 5 mm

PIN CONFIGURATION QFN28 5 mm x 5 mm (topview)



PIN FUNCTIONS

No.	Name	Function
1	LDA1	Laser Diode Anode for channel 1
2	LDA1	Laser Diode Anode for channel 1
3	VBL1	Laser Power Supply for channel 1
4	CI1	Integration Capacitor for channel 1
5	CIH1	Integration Capacitor for channel 1, high side
6	MDK1	Monitor Diode Cathode for channel 1
7	MRH1	Monitor Resistor for channel 1, high side
8	EMC	Enable Microcontroller input
9	SCLK/SCL	SPI Clock / I ² C Clock
10	MISO/SDA	SPI Master In Slave OUT / I ² C Data
11	MOSI/A0	SPI Master Out Slave In / I ² C Address bit 0
12	NCS/A1	Chip Select, active low / I ² C Address bit 1
13	EC1	Enable Channel 1 input
14	EC2	Enable Channel 2 input
15	MRH2	Monitor Resistor for channel 2, high side
16	MDK2	Monitor Diode Cathode for channel 2
17	CIH2	Integration Capacitor for channel 2, high side
18	CI2	Integration Capacitor for channel 2
19	VBL2	Laser Power Supply for channel 2
20	LDA2	Laser Diode Anode for channel 2
21	LDA2	Laser Diode Anode for channel 2
22	GND	Ground
23	DCO	Digital Current Output
24	INS/WKR	I ² C or SPI selection input / Reference voltage selection in iC-WK mode
25	VDD	3.3V output supply
26	VB	Power supply
27	NCHK	Error output, active low
28	NSTBY	Standby input, active low
TP		Thermal Pad (GND)

The *Thermal Pad* is to be connected to a *Ground Plane* (GND, AGND1...2) on the PCB.

Only pin 1 marking on top or bottom defines the package orientation (⊗ HTP label and coding is subject to change).

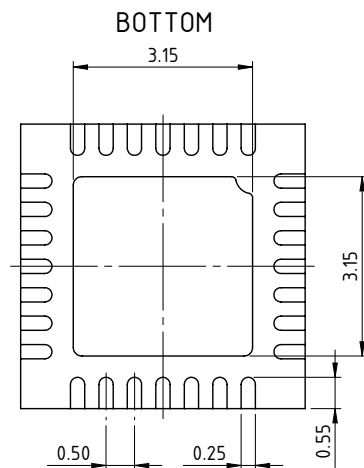
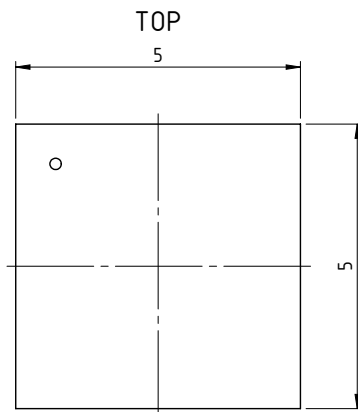
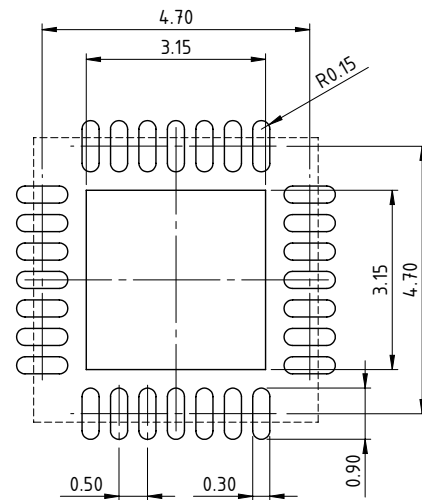
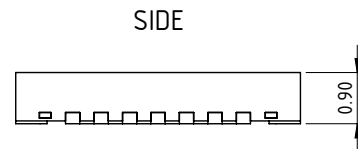
iC-HTP DUAL CW P-TYPE LASER DIODE DRIVER

Rev D2, Page 4/51

PACKAGE DIMENSIONS QFN28-5x5

All dimensions given in mm.
This package falls within JEDEC MO-220-VHHD-1.

RECOMMENDED PCB-FOOTPRINT



drb_qfn28-2_pack_1_10:1

IC-HTP DUAL CW P-TYPE LASER DIODE DRIVER

Rev D2, Page 5/51

ABSOLUTE MAXIMUM RATINGS

These ratings do not imply permissible operating conditions; functional operation is not guaranteed. Exceeding these ratings may damage the device.

Item No.	Symbol	Parameter	Conditions	Min.		Max.		Unit
G001	VB	Voltage at VB		-0.3		11		V
G002	I(VB)	Current in VB		-20		50		mA
G003	VDD	Voltage at VDD		-0.3		5.5		V
G004	I(VDD)	Current in VDD		-20		1		mA
G005	V()	Voltage at EC1, EC2, MDK1, MDK2, EMC, SCLK/SCL, MISO/SDA, MOSI/A0, NCS/A1, DCO, INS/WKR, NCHK		-0.3		5.5		V
G006	I()	Current in CI1, CI2, CIH1, CIH2, EC1, EC2, MDK1, MDK2, EMC, SCLK/SCL, MISO/SDA, MOSI/A0, NCS/A1, DCO, INS/WKR, NCHK, NSTBY, CIL1, CIL2, MRH1, MRH2		-20		20		mA
G007	V()	Voltage at CI1, CI2, CIH1, CIH2, VBL1, VBL2, LDA1, LDA2, NSTBY		-0.3		11		V
G008	I(AGND)	Current in VBL1, VBL2	DC current	-1		900		mA
G009	I(LDK)	Current in LDA1, LDA2	DC current	-900		20		mA
G010	Vd()	ESD Susceptibility at all pins	HBM, 100 pF discharged through 1.5 kΩ			2		kV
G011	Tj	Operating Junction Temperature		-40		125		°C
G012	Ts	Storage Temperature Range		-40		150		°C

THERMAL DATA

Operating Conditions: VB = 2.8 ... 11V (referenced to GND)

Item No.	Symbol	Parameter	Conditions	Min.			Max.			Unit
T01	Ta	Operating Ambient Temperature Range		-40				85		°C
T02	Rthja	Thermal Resistance Chip/Ambient	Mounted on PCB			25				K/W
T03	RthjTP	Thermal Resistance Chip/Thermal Pad				4				K/W

All voltages are referenced to ground unless otherwise stated.
All currents flowing into the device pins are positive; all currents flowing out of the device pins are negative.

iC-HTP DUAL CW P-TYPE LASER DIODE DRIVER

Rev D2, Page 6/51

ELECTRICAL CHARACTERISTICS

Operating Conditions: VB = 2.8 ... 11 V (referenced to GND), Tj = -40 ... 125 °C unless otherwise stated

Item No.	Symbol	Parameter	Conditions	Min.	Typ.	Max.	Unit
Total Device							
Functionality and parameters beyond the operating conditions (with reference to independent voltage supplies, for instance) are to be verified within the individual application using FMEA methods.							
001	VB, VBLx	Permissible Supply Voltages at VB, VBLx	Referenced to GND	2.8		11	V
002	I(VB)	Standby Current in VB	V(NSTBY) ≤ 0.4 V, VBL1 and VBL2 connected to VB; VB = 2.8...5 V VB = 5...11 V			10 30	μA μA
003	I(VB)	Supply Current in VB	No load, EC1, EC2, NSTBY = hi			5	mA
004	V(VB)off	Turn-off threshold	Decreasing VB	1		2.6	V
005	V(VBLx)off	Turn-off threshold	Decreasing VBLx	1		2.6	V
006	VBLxequal	Detection for VBL1 not equal to VBL2	Merge mode enabled, VBL1 – VBL2	0.5		1.3	V
007	V(VDD)on	Turn-on threshold	Increasing VDD	1.4		2.2	V
008	V(VDD)off	Turn-off threshold	Decreasing VDD	1.2		2.2	V
009	V(VDD)Hys	Power-on hysteresis		20		250	mV
010	V(VB)INITR	RAM memory reset during Stand-By	NSTBY = lo		1.4*		V
011	Ragnd()	Resistor to VBLx at CIHx				20	Ω
012	Vc(lo)	Clamp Voltage lo at VB, VDD, NCHK, EMC, NCS/A1, MISO/SDA, MOSI/A0, SCLK/SCL, INS/WKR, NSTBY, EC1, EC2, DCO, LDA1, LDA2, CI1, CIH1, CI2, CIH2, AGND1, AGND2, MDK1, MDK2	I() = -10 mA	-1.6		-0.3	V
Laser Driver LDx, Clx, MDKx							
101	Vs(LDA)lo	Saturation Voltage lo at LDA	CRNGx = 00, I(LDx) = -750 mA, VB = 4...11 V, V() = V(VBLx) – V(LDx)			0.7	V
102	V(LDASAT)	LDx saturation detection threshold	RLDASx = 00 RLDASx = 01 RLDASx = 10 RLDASx = 11	0.4 0.6 0.9 1.1	0.6 0.8 1.1 1.3	0.9 1.1 1.2 1.5	V V V V
103	Icd(LDA)	Permissible DC Current at LDx	EACCx = 1, RACCx = 0, REFx(9:0) = 0x3FF, V(LDx) = V(VBLx) – 0.7 V; CRNGx = 00 CRNGx = 01 CRNGx = 10 CRNGx = 11			-750 -100 -25 -9	mA mA mA mA
104	Ileak(LDA)	LDx leakage current	V(LDx) = 0 V	-10			μA
105	C(CI)	Capacitor at CI1, CI2	ECIE = 1, EMC = hi	10			nF
106	I(CI)	Charge Current at CI1, CI2	V(CI) = 0 V, EC1, EC2 = hi, ECIEx = 1	-150		-5	μA
107	I(LDA)max	Laser overcurrent shutdown threshold	CRNGx = 00, EACCx = 0, VB = 5...11 V, V(LDA) = V(VBLx) – 0.7 V ... 1.5 V; ILIMx(7:0) = 0x00, RACCx = 0 ILIMx(7:0) = 0xFF, RACCx = 0 ILIMx(7:0) = 0x00, RACCx = 1 ILIMx(7:0) = 0xFF, RACCx = 1	-25 -2266 -3.2 -284		0 -750 0 -130	mA mA mA mA
108	Δ I(LDA)	Shutdown threshold resolution	CRNGx = 00, ILIMx(7:0) = 0x00 to 0xFF; RACCx = 0 RACCx = 1	-8 -0.8	-4 -0.5	-3 -0.3	mA mA
109	tovc	Time to overcurrent shutdown	Laser current decreased 10%		5†		μs
110	V(MDK)	Voltage at MDK1, MDK2	Closed control loop, EC1, EC2 = hi; EMC = lo, INS/WKR = lo EMC = lo, INS/WKR = hi	110 220	125 250	150 295	mV mV

* Projected values by sample characterization

† Not tested

IC-HTP DUAL CW P-TYPE LASER DIODE DRIVER

Rev D2, Page 7/51

ELECTRICAL CHARACTERISTICS

Operating Conditions: VB = 2.8 ... 11 V (referenced to GND), Tj = -40 ... 125 °C unless otherwise stated

Item No.	Symbol	Parameter	Conditions	Min.	Typ.	Max.	Unit
111	Ten	Time to system ready	NSTBY lo → hi, no load at VDD, CVDD = 1 μF		1.3*		ms
112	Tci	Time to light	NSTBY = hi, ECIE = 0, COMP = 010, light off to 80% target value			300	μs
113	Tcio	Time to target light	Light from 80% to 99% target value			4700	μs
114	I _{dc(LDA)}	LDAX ACC mode current	EC1, EC2, EMC = hi, EACCx = 1, LINLOG = 0, V(LDAX) = V(VBLx) - 0.7 V...1.5 V, VB = 5...11 V, CRNGx = 00; REFx(9:0) = 0x000, RACCx = 0 REFx(9:0) = 0x3FF, RACCx = 0 REFx(9:0) = 0x000, RACCx = 1 REFx(9:0) = 0x3FF, RACCx = 1	-200 -2200 -25 -230	-130 -1570 -15 -160	-70 -940 -9 -90	mA mA mA mA
115	TK	Temperature coefficient ACC mode		-1500	-500		ppm/K
116	I _{dcLSB}	REFx(9:0) step current at LDA in ACC mode	EC1, EC2, EMC = hi, EACCx = 1, LINLOG = 0, V(LDAX) = V(VBLx) - 0.7 V...1.5 V, CRNGx = 00; RACCx = 0; REFx(9:0) = 0x000 → 0x001 RACCx = 0; REFx(9:0) = 0x30E → 0x30F RACCx = 1; REFx(9:0) = 0x000 → 0x001 RACCx = 1; REFx(9:0) = 0x30E → 0x30F	0.04 0.8 0.01 0.1		1 2.7 0.08 0.8	mA mA mA mA
Programmable Resistor							
201	R _{mdk}	Resistor at MDKx pin	DISPx = 0; RMDx(7:0) = 0xFF RMDx(7:0) = 0x00	350 0.154	500 0.220	650 0.286	kΩ kΩ
202	Tk	Temperature coefficient		-1500	-500	0	ppm/K
203	ΔR	Percentual resistor increment	$\Delta R = \frac{R(n+1) - R(n)}{R(n)}$	1	3.3	7	%
204	I _{leak(MDK)}	MDKx leakage current	DISPx = 1	-1		1	μA
205	R _{on(MDH)}	VDD-MDH Ron resistor	EMNPx = 0			100	Ω
D/A Converter							
301	R(DAC)	D/A converter resolution				10	bit
302	ΔV	Percentual voltage increments	LINLOG = 0, $\Delta V = \frac{V(n+1) - V(n)}{V(n)}$	0.05	0.235	1	%
303	ΔV	Voltage increments	LINLOG = 1		1		mV
304	V(DAC)	D/A converter	REFx(9:0) = 0x000 lowest value REFx(9:0) = 0x3FF highest value	0.09 1.00	0.10 1.10	0.12 1.25	V V
305	DATK†	DAC Temperature Accuracy	REFx(9:0) = 0x3FF highest value	-2.5		2.5	%
Check Output NCHK							
401	V _{s()} lo	Saturation Voltage lo at NCHK	I(NCHK) = 1.0 mA			0.4	V
402	I _{sc()} lo	Short Circuit Current lo at NCHK	V(NCHK) = 0.4 ... 3.3 V	9		33	mA
403	I _{lk()}	Leakage Current at NCHK	NCHK = 1, V(NCHK) = 0 ... 5.5 V	-10		10	μA
Series Regulator Output VDD							
501	V(VDD)	Regulated output voltage	VB ≥ 3.7 V, I(VDD) = -10 ... 0 mA, NSTBY = hi	3		3.5	V
502	V(VB,VDD)	Voltage Drop between VB and VDD	VDD unregulated, I(VDD) = -10 ... 0 mA, NSTBY = hi		100	400	mV
503	C(VOUT)	Capacitor at VDD	Ri(C) < 1 Ω	1		3.3	μF
504	T _{vdd}	Settling time VDD	NSTBY lo → hi, no load at VDD, V(VDD) 0 to 90%, CVDD = 1 μF			1	ms
Digital Inputs							
601	Vt(j)hi	Input Threshold Voltage hi at NCS/A1, MISO/SDA, MOSI/A0, SCLK/SCL, NSTBY, EC1, EC2				2	V
602	Vt(j)lo	Input Threshold Voltage lo at NCS/A1, MISO/SDA, MOSI/A0, SCLK/SCL, NSTBY, EC1, EC2		0.8			V

* Projected values by sample characterization

† Safe by design

IC-HTP DUAL CW P-TYPE LASER DIODE DRIVER

Rev D2, Page 8/51

ELECTRICAL CHARACTERISTICS

Operating Conditions: VB = 2.8 ... 11 V (referenced to GND), Tj = -40 ... 125 °C unless otherwise stated

Item No.	Symbol	Parameter	Conditions	Min.	Typ.	Max.	Unit
603	Vt(hys)	Hysteresis at NCS/A1, MISO/SDA, MOSI/A0, SCLK/SCL, NSTBY, EC1, EC2	Vt(hys) = Vt(hi) - Vt(lo)	100			mV
604	Ipd()	Pull-Down Current at MOSI/A0, EC1, EC2	V() = 0.4 V ... VDD	1		50	μA
605	Ipd()	Pull-Down Current at NSTBY	V() = 0.4 V ... VB	0.7		50	μA
606	Rpu()	Pull-Up Resistor at SCLK/SCL, NCS/A1		80	150	260	kΩ
607	Rpu()	Pull-Up Resistor at MISO/SDA	EMC = hi, INS/WKR = hi	53	100	174	kΩ
608	Er()	Safe enable threshold voltage at EMC, INS/WKR	Rising Falling	52 30	54 32	56 34	% VDD % VDD
609	Voc()	Open Circuit Voltage at EMC, INS/WKR		39	41	43	% VDD
610	Ri()	Internal Resistance at EMC, INS/WKR		170	250	330	kΩ
611	Isc(lo)	Short Circuit current Io in MISO/SDA	EMC = hi, INS/WKR = lo, V(MISO/SDA) = 5.5 V	-40		-4	mA
612	Vs(lo)	Saturation Voltage Io at MISO/SDA	EMC = hi, INS/WKR = lo, I(MISO/SDA) = 2 mA			0.4	V
613	Vs(hi)	Saturation Voltage hi at MISO/SDA	EMC = hi, INS/WKR = lo, Vs(hi) = VDD - V(), Iload = 10 μA			0.4	V
A/D Converter							
701	Ton*	ADC initialization time. Time to wait after ADC source changed before ADCC(2) is set to 1.	ADCCx(1:0) changed			500	μs
702	Tconv	Conversion time	ADCC(2) 0 → 1 to DRDY 0 → 1			140	μs
703	R(ADC)	A/D Converter Resolution				10	bit
704	RAC†	Relative Accuracy		-1		+1	LSB
705	VZS()	Zero Scale Voltage	ADCx(9:0) = 000h		0		V
706	VFS()	Full Scale Voltage	ADCx(9:0) = 3FFh	1.0	1.1	1.25	V
707	MDKM	MDKx Measurement	MDKx = 0.5 V, ADCCx(2:0) = 100, ADFNSx = 1	372	465	558	LSB
708	VDDM	VDD Measurement	VDD = 3.3 V, ADCC2(2:0) = 101	312	390	468	LSB
709	VBM	VB Measurement	VB = 11 V, ADCC1(2:0) = 101	744	930	1023	LSB
710	VBLM	VBLx Measurement	VBLx = 11 V, ADCCx(2:0) = 110	744	930	1023	LSB
711	LDAM	LDAX Measurement	LDAX = 11 V, ADCCx(2:0) = 111	744	930	1023	LSB
Pulse Mode							
801	Tdis	Time to CI active discharge	ENx high → low to Discharge CI activated	300			μs
802	tr()	Current rise time at LDA	ENx low → high, Regulation active			2	μs
803	tf()	Current fall time at LDA	ENx high → low, Regulation active			2	μs
Overtemperature							
B01	Toff	Overtemperature Shutdown	Rising temperature	130		170	°C
B02	Ton	Overtemperature Release	Falling temperature	125		165	°C
B03	Thys	Hysteresis	Toff - Ton	3			°C
Temperature Monitor							
C01	Trange	Temperature Measurement Range		-40		125	°C
C02	Tresol	Temperature Measurement Resolution			1		°C
C03	Reading	Temperature Value Ranges	Tj = 125 °C Tj = -40 °C	170 0		210 45	digits digits

* Safe by design
† Safe by design

IC-HTP DUAL CW P-TYPE LASER DIODE DRIVER

Rev D2, Page 9/51

ELECTRICAL CHARACTERISTICS

Operating Conditions: $V_B = 2.8 \dots 11\text{ V}$ (referenced to GND), $T_j = -40 \dots 125\text{ }^\circ\text{C}$ unless otherwise stated

Item No.	Symbol	Parameter	Conditions	Min.	Typ.	Max.	Unit
DCO Output							
D01	Isc(hi)	DCO Output Current	$V(VDD) = 3 \dots 3.5\text{ V}$, $V(DCO) = 0\text{ V}$, $RDCO = 0 \times 3\text{ F}$	-175	-130	-85	μA
D02	Ileak	Leakage Current at DCO	$RDCO = 0 \times 00$ or $NSTBY = lo$, $V(DCO) = 0\text{ V}$	-1		1	μA
D03	I(DCO)LSB	I(DCO) Resolution	$V(DCO) = 0\text{ V}$	1.3	2	2.7	μA
Oscillator							
E01	Fosc	Oscillator Frequency	$NSTBY = hi$	100	200	300	kHz
E02	T(cfgtmo)	Configuration Mode Timeout	$MODE(1:0) = 10$	40	82	164	ms
E03	tWDT	Watchdog Timeout	$NSTBY = hi$	20		200	μs

OPERATING REQUIREMENTS: SPI and I²C Interface

Operating Conditions: $V_B = 2.8 \dots 11\text{ V}$, $T_j = -40 \dots 125\text{ }^\circ\text{C}$

Item No.	Symbol	Parameter	Conditions	Min.	Max.	Unit
SPI / I²C Interface Timing						
I001	tsCCL	Setup Time: NCS/A1 hi \rightarrow lo before SCLK lo \rightarrow hi	$INS/WKR = lo$	20		ns
I002	tsDCL	Setup Time: MOSI/A0 stable before SCLK/SCL lo \rightarrow hi	$INS/WKR = lo$	20		ns
I003	thDCL	Hold Time: MOSI/A0 stable after SCLK/SCL lo \rightarrow hi	$INS/WKR = lo$	20		ns
I004	tCLH	Signal Duration SCLK/SCL hi	$INS/WKR = lo$	50		ns
I005	tCLL	Signal Duration SCLK/SCL lo	$INS/WKR = lo$	50		ns
I006	thCLC	Hold Time: NCS/A1 lo after SCLK/SCL hi \rightarrow lo	$INS/WKR = lo$	20		ns
I007	tCSH	Signal Duration NCS/A1 hi	$INS/WKR = lo$	50		ns
I008	tpCLD	Propagation Delay: MISO/SDA stable after SCLK/SCL hi \rightarrow lo	$INS/WKR = lo$, $V(VDD) > 3\text{ V}$, $C_{load} = 10\text{ pF}$, no external pull-up	0	30	ns
I009	tHIZ	MISO to HIZ delay	$INS/WKR = lo$, HIZ = high impedance state	0	25	ns
I010	f(SCLK)	SPI clock frequency			10	MHz
I011	f(SCL)	I ² C clock frequency			400	kHz

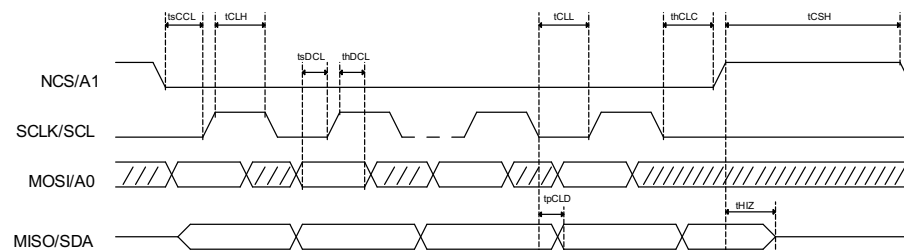


Figure 1: SPI interface timing

iC-HTP DUAL CW P-TYPE LASER DIODE DRIVER

Rev D2, Page 10/51

OPERATING MODES AND STANDBY

iC-HTP has two operating modes:

iC-WK mode

iC-HTP operates as an Automatic Power Control (APC) laser controller, similar to iC-Haus' iC-WKP. iC-WKP mode is set by pin configuration and external resistor. Pin EMC is set to lo and pin INS/WKR selects the reference voltage. Floating pins EMC and INS/WKR are detected as faulty configuration and signaled at NCHK.

MCU mode

In microcontroller unit (MCU) mode, iC-HTP features two control modes: automatic power control (APC) and automatic current control (ACC). Pin EMC is set to hi and pin INS/WKR selects the serial communication interface protocol: hi for I²C and lo for SPI. Floating pins

EMC and INS/WKR are detected as faulty configuration and signaled at NCHK.

Standby

iC-HTP in standby has a very low current consumption and does retain its configuration. Standby will not reset the internal RAM.

In order to exit standby, pin NSTBY must be set to hi (e.g. VB). VDD is switched off in standby and can not be used to exit standby.

CIx, CIHx, VB, VBLx, NSTBY and LDAx withstand voltages up to 11 V, whereas the remaining input pins operate up to 5.5 V and do have high impedance at standby.

LASER DIODE/LED TYPES AND OPERATION MODES

For automatic Power Control (APC) operation mode a monitor diode is required. This APC operation is possible in microcontroller unit (MCU) mode and in the iC-WK mode.

In iC-WK mode only P-type laser diodes are supported. In MCU mode P-type and M-type laser diodes are supported.

In automatic current control (ACC) operation there is no monitor diode and any diode can be operated.

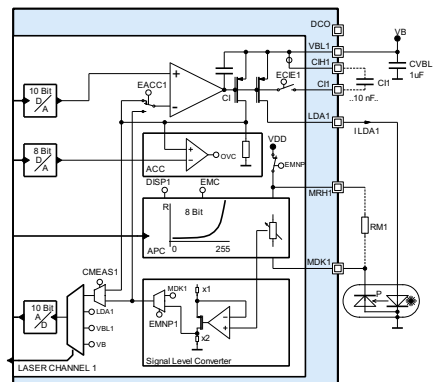


Figure 2: iC-HTP with P-type laser diode

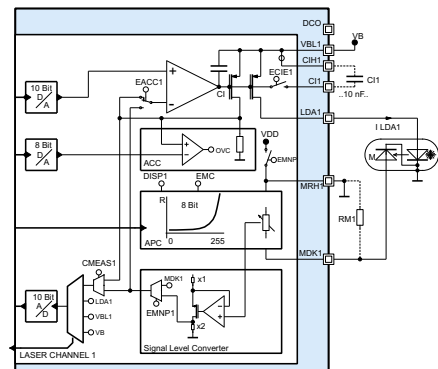


Figure 3: iC-HTP with M-type laser diode

Code	Function
0	P-Laser Type
1	M-Laser Type

Table 5: Laser Typ selection

iC-HTP DUAL CW P-TYPE LASER DIODE DRIVER

Rev D2, Page 11/51

iC-WK MODE

Setting pin EMC = lo configures iC-HTP for iC-WK mode.

tors are disabled, therefore external resistors at pins MDKx are required.

Reference voltage in iC-WK mode	
INS/WKR	Reference voltage
Lo	VDD – 0.125 V
Hi	VDD – 0.250 V

Table 6: Reference selection (cf. *Electrical Characteristics No. 110*)

The APC reference can be set to two different values by means of pin INS/WKR, as shown in Table 6, and the overcurrent threshold is set to its maximum value of 750 mA (cf. *Electrical Characteristics No. 107*). In case of overcurrent, the respective channel is disabled. For re-enabling the channel, the corresponding ECx pin must be cycled.

In iC-WK mode both channels operate in APC mode. The internal programmable logarithmic monitor resis-

External CI capacitors must be added in this operation mode at pins C1x/CIHx. Figure 4 shows an example in iC-WK mode using a P-type laser diode, with VDD – 0.250 V reference selected.

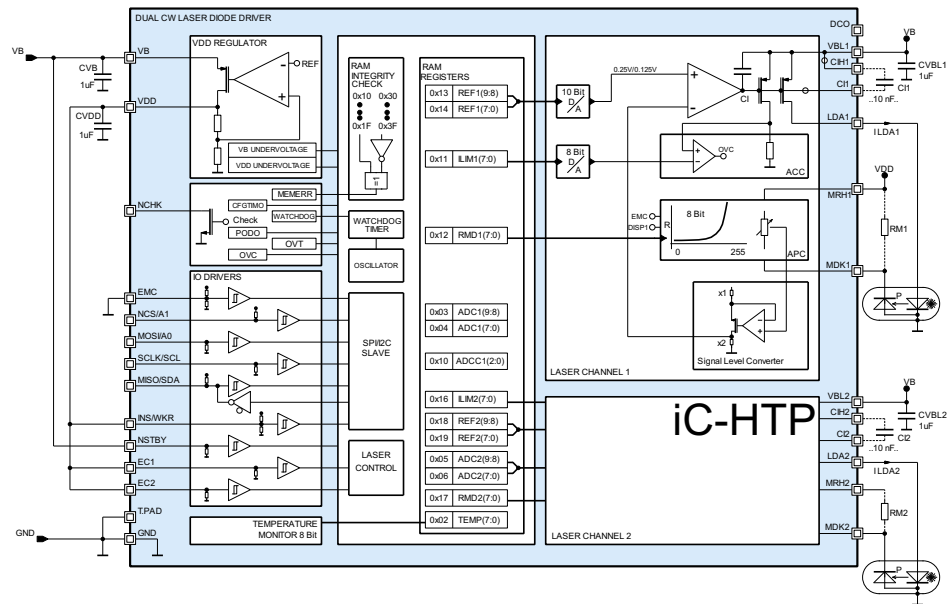


Figure 4: iC-HTP in iC-WK mode with P-type laser diode and reference VDD – 0.250V

In the configuration from Figure 4 pin NSTBY is connected to VB. This is required to force iC-HTP leaving standby mode and starting normal operation.

Laser channel enabling

Setting pins EC1, EC2 to hi enables the corresponding channels. In order to ensure safe operation of iC-HTP, several events automatically disable both output channels:

- Pins INS/WKR or EMC left unconnected (INSOPEN, EMCOPEN): iC-HTP enters error mode and the laser channels cannot be enabled.
- Supply power down either at VB (PDOVBLx) or VDD (PDOVDD): The laser channels are unconditionally disabled during the power down event.
- Overcurrent (OVC) or overtemperature (OVT): Laser channels are switched off. Cycling pins

iC-HTP DUAL CW P-TYPE LASER DIODE DRIVER

Rev D2, Page 12/51

EC1, EC2 or a power-up is required to switch on the laser again.

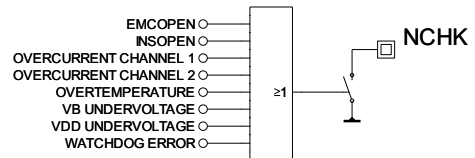


Figure 5: iC-HTP in iC-WK mode, NCHK behavior

MICROCONTROLLER MODE

Setting pin EMC to hi configures iC-HTP for microcontroller mode (MCU mode) with I²C or SPI.

The configuration of the parameters of iC-HTP must be done in configuration mode. In this mode, the configuration memory can be written and read back without changing the current configuration of iC-HTP. Once the configuration is considered as valid, iC-HTP can be switched to operation mode. These two modes are configured by the MODE register. The time elapsed in configuration may not exceed 40 ms. If this timeout is exceeded, both channels will be switched off.

Each individual channel can be enabled by setting pin ECx to hi. Setting register bits DISCx to 1 disables the corresponding channel. If either pin ECx is lo or register bits DISCx is 1, the corresponding channel is disabled.

DISC1		Addr. 0x10; bit 3	R/W 1
Code	Function		
0	Channel 1 can be enabled by pin EC1		
1	Channel 1 cannot be enabled by pin EC1		

Table 7: Disable channel 1

DISC2		Addr. 0x15; bit 3	R/W 1
Code	Function		
0	Channel 2 can be enabled by pin EC2		
1	Channel 2 cannot be enabled by pin EC2		

Table 8: Disable channel 2

The following voltages can be measured using a 10 bit A/D converter with two resolutions:

- V(LDAx) up to 11 V with 11.81 mV resolution
- V(VDD) up to 8 V with 8.6 mV resolution
- V(VB) up to 11 V with 11.81 mV resolution
- V(VBLx) up to 11 V with 11.81 mV resolution
- V(MDKx) up to 1.1 V with 1.075 mV resolution
- V(PLRx) up to 1.1 V with 1.075 mV resolution
- V(RACC) up to 1.1 V with 1.075 mV resolution

The register bits ADCCx select the signal measured with the 10 bit A/D converter.

ADCC1(2:0)		Addr. 0x10; bit 7:5	R/W 000
Code	Function		
0xx	Channel 1 ADC disabled		
100	Channel 1 ADC sourced by V(MDK1), ADFNS1 = 1, CMES1 = 0		
100	Channel 1 ADC sourced by V(PLR1), ADFNS1 = 0, CMES1 = 0		
100	Channel 1 ADC sourced by ACC current sensor, CMES1 = 1		
101	Channel 1 ADC sourced by V(VB)		
110	Channel 1 ADC sourced by V(VBL1)		
111	Channel 1 ADC sourced by V(LDA1)		

Table 9: ADC channel 1 source selection

ADCC2(2:0)		Addr. 0x15; bit 7:5	R/W 000
Code	Function		
0xx	Channel 2 ADC disabled		
100	Channel 2 ADC sourced by V(MDK2), ADFNS2 = 1, CMES2 = 0		
100	Channel 2 ADC sourced by V(PLR2), ADFNS2 = 0, CMES2 = 0		
100	Channel 2 ADC sourced by ACC current sensor, CMES2 = 1		
101	Channel 2 ADC sourced by V(VDD)		
110	Channel 2 ADC sourced by V(VBL2)		
111	Channel 2 ADC sourced by V(LDA2)		

Table 10: ADC channel 2 source selection

With ADCCx(2:0) = 100, the signal to the A/D converter is selected by register bit ADFNSx. With ADFNSx = 0 the measuring point to the A/D converter is the internal sense node of the internal programmable logarithmic monitor resistor (PLR) after the x2 level shifting. With ADFNSx = 1 the sensing point is connected directly to the MDKx pin. Note that in this case, only voltages from 0 to 1.1 V can be monitored with the A/D converter. With the CMESx bit, the ADC can be used for laser current measurement in ACC mode. For this measurement, the ADCCx register must be set to 100. As shown in

iC-HTP DUAL CW P-TYPE LASER DIODE DRIVER

Rev D2, Page 13/51

Figure 8, a fraction of the current delivered by the driver to the laser is mirrored to a resistor. The voltage drop at this resistor is sourced to the ADC. For a more detailed explanation of the current measurement, please refer to the ADC chapter.

APC mode

In APC mode the laser power is controlled. The monitor diode current (I_{mon}) is used as feedback in the laser power control loop. APC mode is selected by setting the EACCx register bit to 0.

ADFNS1		Addr. 0x1A; bit 2	R/W 0
Code	Function		
0	ADC measurement PLR1 after x2 level shifting (sense)		
1	ADC measurement MDK1 pad (force)		

Table 11: ADC channel 1 force/sense selection

EACC1		Addr. 0x10; bit 0	R/W 0
Code	Function		
0	APC mode enabled for channel 1 (light power regulation)		
1	ACC mode enabled for channel 1 (laser current regulation)		

Table 14: Enable APC/ACC channel 1

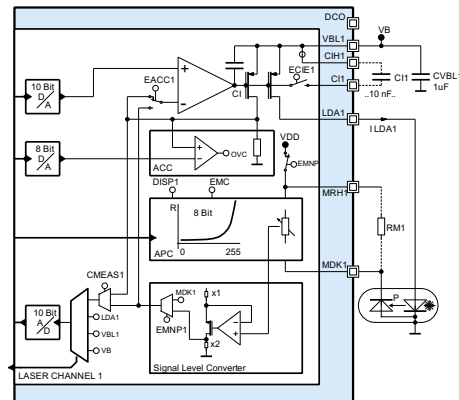


Figure 6: Channel 1 schematic

ADFNS2		Addr. 0x1A; bit 6	R/W 0
Code	Function		
0	ADC measurement PLR2 after x2 level shifting (sense)		
1	ADC measurement MDK2 pad (force)		

Table 12: ADC channel 2 force/sense selection

CMES1		Addr. 0x1A; bit bit 1	R/W 0
CMES2		Addr. 0x1A; bit bit 5	R/W 0
Code	Function		
0	Optical Power selected for AD		
1	Laser current selected for AD		

Table 13: AD selection with ADCCx(2:0)=100

Two different control modes can be configured independent for each channel: automatic power control (APC) and automatic current control (ACC). In both modes a 10 bit logarithmic D/A converter sets the reference voltage and an 8 bit programmable D/A converter configures the overcurrent threshold.

EACC2		Addr. 0x15; bit 0	R/W 0
Code	Function		
0	APC mode enabled for channel 2 (light power regulation)		
1	ACC mode enabled for channel 2 (laser current regulation)		

Table 15: Enable APC/ACC channel 2

An example of APC with default configuration is shown in figure 7.

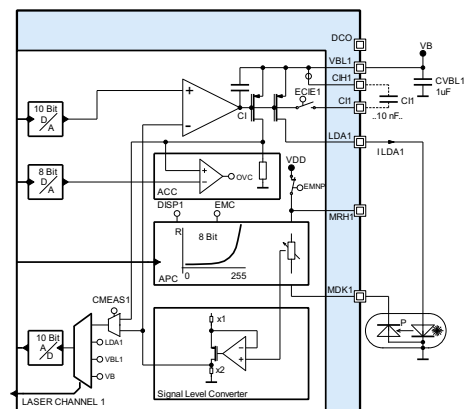


Figure 7: APC mode simplified

An internal 8 bit programmable logarithmic monitor resistor (PLR) can be used in APC mode. It is also possible to use an external monitor resistor connected to pin MDKx. If the register bit DISPx is 0, the PLR is present. If DISPx is 1, the PLR is disabled and an external monitor resistor must be used.

iC-HTP DUAL CW P-TYPE LASER DIODE DRIVER

Rev D2, Page 14/51

DISP1		Addr. 0x10; bit 2	R/W 0
Code	Function		
0	PLR enabled for channel 1		
1	PLR disabled for channel 1		

Table 16: Disable PLR channel 1

DISP2		Addr. 0x15; bit 2	R/W 0
Code	Function		
0	PLR enabled for channel 2		
1	PLR disabled for channel 2		

Table 17: Disable PLR channel 2

Both programmable logarithmic monitor resistors (PLR) feature a wide logarithmic resistor range from 100 Ω to 407 kΩ, in steps of typically 3.3%. This covers a wide range of monitor currents.

For fine-tuning the optical power, the reference voltage can be set with a 10 bit logarithmic D/A converter, which is configurable through register REFx. This converter has a voltage range that ranges typically from 0.1 to 1.1 V, allowing an operation resolution of typically 0.235% over the whole range. Optionally the reference voltage D/A converter can be configured as a linear one with the same voltage range. Linear or logarithmic D/A reference voltage can be set with register bit LINLOGx.

Inside the control loop there is the signal level converter, which references the values coming from the PLRx to GND. This is necessary because the logarithmic D/A is referenced to GND. In addition this signal level converter adds a 1:2 ratio between the voltage regulated at PLRx and the one regulated at the logarithmic D/A converter i.e. 1.1 V regulated at the logarithmic D/A side are 0.55 V regulated at the PLRx side.

For calculating the minimum value of the monitor current, I_{mon} , $V_{ref_{max}}(0x00)$ (cf. *Electrical Characteristics No. 304*) and $Rmd_{min}(RMDx = 0xFF)$ (cf. *Electrical Characteristics No. 201*) are used. Also the 1:2 ratio between PLRx regulation voltage and V_{ref} must be applied.

$$I_{mon_{min}} = \frac{V_{ref_{max}}(0x000)}{2 * Rmd_{min}(RMDx = 0xFF)} = \frac{0.11 \text{ V}}{2 * 350000 \Omega} = 0.16 \mu\text{A}$$

It is not recommended to configure iC-HTP to such small I_{mon} values, otherwise the leakage current at MDKx may have an influence (cf. *Electrical Characteristics No. 204*), especially at high temperatures. To avoid this, I_{mon} should be much higher than the leakage current.

For calculating the maximum value of I_{mon} , $V_{ref_{min}}(0x3FF)$ (cf. *Electrical Characteristics No. 304*)

and $Rmd_{max}(RMDx = 0x00)$ (cf. *Electrical Characteristics No. 201*) are used. Also the 1:2 ratio between PLRx regulation voltage and V_{ref} must be applied. Since only the 4 MSB from PLR can be accessed at pin MDKx, the following formula needs to be used for calculating $Rmd_{max}(RMDx = 0x00)$:

$$Rmd = Rmd_0 \left(1 + \frac{\Delta Rmd(\%)}{100}\right)^{n+1}, n \text{ from } 0 \text{ to } 255$$

$$Rmd_{max}(RMDx = 0x00) = Rmd_0 \left(1 + \frac{\Delta Rmd(\%)}{100}\right)^{16}$$

$$286 = Rmd_0 \left(1 + \frac{3.3}{100}\right)^{16}$$

$$Rmd_0 = 170 \Omega$$

Therefore:

$$I_{mon_{max}} = \frac{V_{ref_{min}}(0x3FF)}{2 * Rmd_0} = \frac{1.00 \text{ V}}{2 * 170 \Omega} = 2.94 \text{ mA}$$

Any other I_{mon} value can be calculated using Rmd formula above. Due to its logarithmic characteristic, the steps between two consecutive values is kept within 3.3 % typical value.

A programmable overcurrent shutdown can be set to protect the laser by disabling the channel. The overcurrent protection value (I_{lim}) must be configured in register ILIMx using the following equations:

$$I_{lim} = (\Delta I(LDA)_{max}) * n * k$$

$$n = \frac{I_{lim}}{k * \Delta I(LDA)_{max}}$$

with n from 1 to 255.

ILIM set to 0x00 disables the overcurrent protection in ACC mode. In APC mode, the overcurrent protection cannot be disabled with ILIM. In both modes (APC and ACC mode) overcurrent is disabled when using the linear reference D/A setting register bit LINLOGx.

Note: The accuracy of the overcurrent detection depends on the correct biasing of the driver stage. If the driver is saturated, the accuracy of the overcurrent detection is reduced and may not work as expected. Saturation voltage (*Electrical Characteristics No. 101*) must be ensured for a proper function of the overcurrent detection. LDASAT1 and LDASAT2 status bits can be used for anticipated saturation detection.

$\Delta I(LDA)_{max}$ is the shutdown current threshold resolution (maximum value) (cf. *Electrical Characteristics No. 108*). Its value depends on the current range defined by register bit RACCx. If RACCx = 1, the overcurrent threshold is in the low range and $\Delta I(LDA)_{max} = 0.375 \text{ mA}$. If RACCx = 0, the overcurrent threshold is in the high range and $\Delta I(LDA)_{max} = 3 \text{ mA}$.

iC-HTP DUAL CW P-TYPE LASER DIODE DRIVER

Rev D2, Page 15/51

CRNG1(1:0)		Addr. 0x1E; bit 1:0	R/W 00
Code	Function		
00	Output current range from 0 to 750 mA, RACC1 = 0, k factor set to 750/750 = 1		
01	Output current range from 0 to 100 mA, RACC1 = 0, k factor set to 100/750 = 0.13		
10	Output current range from 0 to 25 mA, RACC1 = 0, k factor set to 25/750 = 0.03		
11	Output current range from 0 to 9 mA, RACC1 = 0, k factor set to 9/750 = 0.012		
00	Output current range from 0 to 90 mA, RACC1 = 1, k factor set to 750/750 = 1		
01	Output current range from 0 to 12 mA, RACC1 = 1, k factor set to 100/750 = 0.13		
10	Output current range from 0 to 3 mA, RACC1 = 1, k factor set to 25/750 = 0.03		
11	Output current range from 0 to 1.1 mA, RACC1 = 1, k factor set to 9/750 = 0.012		

Table 18: Current range channel 1

CRNG2(1:0)		Addr. 0x1E; bit 5:4	R/W 00
Code	Function		
00	Output current range from 0 to 750 mA, RACC2 = 0, k factor set to 750/750 = 1		
01	Output current range from 0 to 100 mA, RACC2 = 0, k factor set to 100/750 = 0.13		
10	Output current range from 0 to 25 mA, RACC2 = 0, k factor set to 25/750 = 0.03		
11	Output current range from 0 to 9 mA, RACC2 = 0, k factor set to 9/750 = 0.012		
00	Output current range from 0 to 90 mA, RACC2 = 1, k factor set to 750/750 = 1		
01	Output current range from 0 to 12 mA, RACC2 = 1, k factor set to 100/750 = 0.13		
10	Output current range from 0 to 3 mA, RACC2 = 1, k factor set to 25/750 = 0.03		
11	Output current range from 0 to 1.1 mA, RACC2 = 1, k factor set to 9/750 = 0.012		

Table 19: Current range channel 2

Register CRNGx splits each current range into 4 additional current ranges. k is a current range factor with its value depending on the CRNGx(1:0) register:

ILIM1		Addr. 0x11; bit 7:0	R/W 0xFF
Code	Function		
0x00	Channel 1 overcurrent threshold set to the minimum current in APC mode (EACC1 = 0) or overcurrent protection disabled in ACC mode (EACC1 = 1)		
...	Channel 1 overcurrent threshold set to $I_{lim} = (\Delta I(LDA), max \cdot n \cdot k)$, n from 0 to 255		
0xFF	Channel 1 overcurrent threshold set to the maximum current		

Table 20: Overcurrent threshold configuration channel 1

ILIM2		Addr. 0x16; bit 7:0	R/W 0xFF
Code	Function		
0x00	Channel 2 overcurrent threshold set to the minimum current in APC mode (EACC2 = 0) or overcurrent protection disabled in ACC mode (EACC2 = 1)		
...	Channel 2 overcurrent threshold set to $I_{lim} = (\Delta I(LDA), max \cdot n \cdot k)$, n from 0 to 255		
0xFF	Channel 2 overcurrent threshold set to the maximum current		

Table 21: Overcurrent threshold configuration channel 2

An overcurrent event can be simulated using SOVCx. If SOVCx = 1, the corresponding overcurrent error bit OVCx will be set to 1, the error will be signaled at NCHK and the corresponding laser channel will be disabled. The overcurrent error will remain forced until SOVCx = 0.

SOVC1		Addr. 0x1D; bit 5	R/W 0
Code	Function		
0	No Overcurrent event at channel 1 is simulated		
1	Overcurrent event at channel 1 simulated		

Table 22: Simulate overcurrent channel 1

SOVC2		Addr. 0x1D; bit 6	R/W 0
Code	Function		
0	No overcurrent event at channel 2 is simulated		
1	Overcurrent event at channel 2 simulated		

Table 23: Simulate overcurrent channel 2

In APC mode the laser current can be measured setting register ADCCx(2:0) to 0x100 and the register bit CMESx to 1. See chapter 10 bit Linear A/D converter on page 29 for more information.

ACC mode

In this mode, the laser diode current is controlled and no monitor diode is required. ACC mode is selected setting EACCx register bit to 1. Figure 8 shows an example of this configuration.

EACC1		Addr. 0x10; bit 0	R/W 0
Code	Function		
0	APC mode enabled for channel 1 (light power regulation)		
1	ACC mode enabled for channel 1 (laser current regulation)		

Table 24: Enable APC/ACC channel 1

iC-HTP DUAL CW P-TYPE LASER DIODE DRIVER

Rev D2, Page 16/51

EACC2		Addr. 0x15; bit 0	R/W 0
Code	Function		
0	APC mode enabled for channel 2 (light power regulation)		
1	ACC mode enabled for channel 2 (laser current regulation)		

Table 25: Enable APC/ACC channel 2

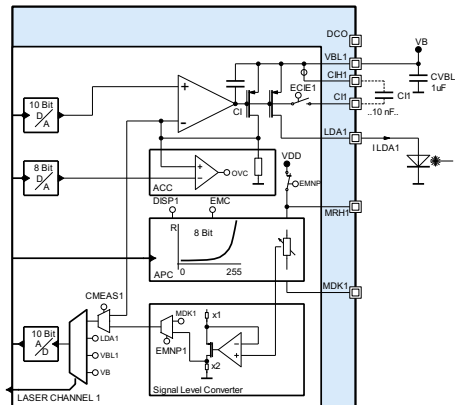


Figure 8: ACC mode simplified

In ACC mode an internal resistor (RACCx) is used instead of the internal programmable logarithmic monitor resistor (PLR). Different current ranges can be selected though register bits RACCx and CRNGx(1:0).

RACC1		Addr. 0x1A; bit 0	R/W 0
Code	Function		
0	Current range high for channel 1, Current sensor resistor (Rsensex) set to 2 kΩ		
1	Current range low for channel 1, Current sensor resistor (Rsensex) set to 16 kΩ		

Table 26: Current range configuration channel 1

RACC2		Addr. 0x1A; bit 4	R/W 0
Code	Function		
0	Current range high for channel 2, Current sensor resistor (Rsensex) set to 2 kΩ		
1	Current range low for channel 2, Current sensor resistor (Rsensex) set to 16 kΩ		

Table 27: Current range configuration channel 2

CRNG1(1:0)		Addr. 0x1E; bit 1:0	R/W 00
Code	Function		
00	Output current range from 0 to 750 mA, RACC1 = 0, k factor set to 750/750 = 1		
01	Output current range from 0 to 100 mA, RACC1 = 0, k factor set to 100/750 = 0.13		
10	Output current range from 0 to 25 mA, RACC1 = 0, k factor set to 25/750 = 0.03		
11	Output current range from 0 to 9 mA, RACC1 = 0, k factor set to 9/750 = 0.012		
00	Output current range from 0 to 90 mA, RACC1 = 1, k factor set to 750/750 = 1		
01	Output current range from 0 to 12 mA, RACC1 = 1, k factor set to 100/750 = 0.13		
10	Output current range from 0 to 3 mA, RACC1 = 1, k factor set to 25/750 = 0.03		
11	Output current range from 0 to 1.1 mA, RACC1 = 1, k factor set to 9/750 = 0.012		

Table 28: Current range channel 1

CRNG2(1:0)		Addr. 0x1E; bit 5:4	R/W 00
Code	Function		
00	Output current range from 0 to 750 mA, RACC2 = 0, k factor set to 750/750 = 1		
01	Output current range from 0 to 100 mA, RACC2 = 0, k factor set to 100/750 = 0.13		
10	Output current range from 0 to 25 mA, RACC2 = 0, k factor set to 25/750 = 0.03		
11	Output current range from 0 to 9 mA, RACC2 = 0, k factor set to 9/750 = 0.012		
00	Output current range from 0 to 90 mA, RACC2 = 1, k factor set to 750/750 = 1		
01	Output current range from 0 to 12 mA, RACC2 = 1, k factor set to 100/750 = 0.13		
10	Output current range from 0 to 3 mA, RACC2 = 1, k factor set to 25/750 = 0.03		
11	Output current range from 0 to 1.1 mA, RACC2 = 1, k factor set to 9/750 = 0.012		

Table 29: Current range channel 2

Table 30 shows a list with all selectable current ranges.

ACC current ranges		
CRNGx(1:0)	RACCx	Idc(LDA)
00	0	750 mA
01	0	100 mA
00	1	90 mA
10	0	25 mA
01	1	12 mA
11	0	9 mA
10	1	3 mA
11	1	1.1 mA

Table 30: ACC current ranges

IC-HTP DUAL CW P-TYPE LASER DIODE DRIVER

Rev D2, Page 17/51

For fine-tuning the regulated current, the reference voltage can be set with a 10 bit logarithmic D/A converter, which is configurable through the register REFx. This converter has a voltage range that goes typically from 0.1 to 1.1 V, allowing an operation resolution of typically 0.235%. Optionally the reference voltage D/A converter can be configured as a linear one with the same voltage range. Linear or logarithmic D/A reference voltage can be set with register bit LINLOGx.

A programmable overcurrent threshold is available in order to protect the laser diode during the power-on. The overcurrent protection value, I_{lim} , must be configured in the 8 bit register ILIMx using the following equations:

$$I_{lim} = (\Delta I(LDA)_{max}) * n * k$$

$$n = \frac{I_{lim}}{k * \Delta I(LDA)_{max}}$$

with n from 0 to 255.

If ILIM is set to 0 in ACC mode, the overcurrent protection is disconnected. Overcurrent protection is disabled when using the linear reference D/A setting register bit LINLOGx.

Note: The accuracy of the overcurrent detection depends on the correct biasing of the driver stage. If the driver is saturated, the accuracy of the overcurrent detection is reduced and may not work as expected. Saturation voltage (*Electrical Characteristics No. 101*) must be ensured for a proper function of the overcurrent detection. LDASAT1 and LDASAT2 status bits can be used for anticipated saturation detection.

$\Delta I(LDA)_{max}$ is the shutdown current threshold resolution (maximum value) (cf. *Electrical Characteristics No. 108*). Its value depends on the current range defined by register bit RACCx. If RACCx = 1, the overcurrent threshold is in the low range and $\Delta I(LDA)_{max} = 0.375$ mA. If RACCx = 0, the overcurrent threshold is in the high range and $\Delta I(LDA)_{max} = 3$ mA. k is a current range factor, with a value depending on the CRNGx(1:0) register.

ILIM1		Addr. 0x11; bit 7:0	R/W 0xFF
Code	Function		
0x00	Channel 1 overcurrent threshold set to the minimum current in APC mode (EACC1 = 0) or overcurrent protection disabled in ACC mode (EACC1 = 1)		
...	Channel 1 overcurrent threshold set to $I_{lim} = (\Delta I(LDA)_{max} * n * k)$, n from 0 to 255		
0xFF	Channel 1 overcurrent threshold set to the maximum current		

Table 31: Overcurrent threshold configuration channel 1

ILIM2		Addr. 0x16; bit 7:0	R/W 0xFF
Code	Function		
0x00	Channel 2 overcurrent threshold set to the minimum current in APC mode (EACC2 = 0) or overcurrent protection disabled in ACC mode (EACC2 = 1)		
...	Channel 2 overcurrent threshold set to $I_{lim} = (\Delta I(LDA)_{max} * n * k)$, n from 0 to 255		
0xFF	Channel 2 overcurrent threshold set to the maximum current		

Table 32: Overcurrent threshold configuration channel 2

An overcurrent event can be simulated using bit SOVCx. If SOVCx = 1, the corresponding overcurrent error bit OVCx will be set to 1, the error will be signaled through NCHK and the corresponding laser channel will be disabled. The overcurrent error will remain forced until SOVCx = 0.

SOVC1		Addr. 0x1D; bit 5	R/W 0
Code	Function		
0	No Overcurrent event at channel 1 is simulated		
1	Overcurrent event at channel 1 simulated		

Table 33: Simulate overcurrent channel 1

SOVC2		Addr. 0x1D; bit 6	R/W 0
Code	Function		
0	No overcurrent event at channel 2 is simulated		
1	Overcurrent event at channel 2 simulated		

Table 34: Simulate overcurrent channel 2

Calculating the expected output current in ACC mode

The following formula can be used to estimate the expected current value for an ACC configuration. The resulting value is a typical value.

$$I_{lasertyp} = \frac{V_{refx}}{R_{sensex}} * MFACTx$$

Where

$$V_{refx} = V_{ref0} (1 + \frac{\Delta V_{ref}(\%)}{100})^{n+1}, n \text{ from } 0 \text{ to } 1023$$

V_{ref0} is the minimum value (typically 0.1 V), $\Delta V_{ref}(\%)$ is the step value (typically 0.235 %) and n is the value of REFx register in decimal.

R_{sensex} is 2 k Ω when RACCx = 0 or 16 k Ω when RACCx = 1.

MFACTx depends on several parameters as stated in the following table:

iC-HTP DUAL CW P-TYPE LASER DIODE DRIVER

Rev D2, Page 18/51

ACC mirror factor		
MERGE	CRNGx	Mirror factor
0	00	Mirror Factor set to 2500
0	01	Mirror Factor set to 333
0	10	Mirror Factor set to 83
0	11	Mirror Factor set to 30
1	00	Mirror Factor set to 5000
1	01	Mirror Factor set to 666
1	10	Mirror Factor set to 166
1	11	Mirror Factor set to 60

Table 35: Mirror factor

Table 36 shows some typical current settings. For detailed limits, please refer to *Electrical Characteristics No. 114*.

ACC typical current settings			
CRNG(1:0)	REFx	RACCx=0	RACCx=1
00	0x000	125.3 mA	15.66 mA
00	0x001	125.6 mA	15.70 mA
00	0x010	125.9 mA	15.73 mA
...
00	0x200	416.6 mA	52.08 mA
00	0x201	417.6 mA	52.20 mA
00	0x202	418.6 mA	52.33 mA
...
00	0x3FD	1376.1 mA	172.01 mA
00	0x3FE	1379.3 mA	172.41 mA
00	0x3FF	1382.6 mA	172.82 mA

Table 36: ACC typical current settings

In ACC mode, the MDKx pin can be monitored through a 10 bit A/D converter from 0 up to 1.1 V. This can be used for measuring the laser light power, if a photodiode is connected to pin MDKx, as shown in Figure 9. This allows adjusting the voltage reference in order to set the laser current and obtain the desired laser light power.

The internal programmable logarithmic monitor resistor (PLR), if enabled (DISPx = 0), gives feedback for the current control through the 10 bit A/D converter. Register bit ADFNSx must be set to 0 in order to measure the internal sense node, after the x2 level shifting. An external monitor resistor can be used to measure the optical power by setting DISPx to 1. Therefore register bit ADFNSx must be set to 1 in order to measure directly at pin MDKx.

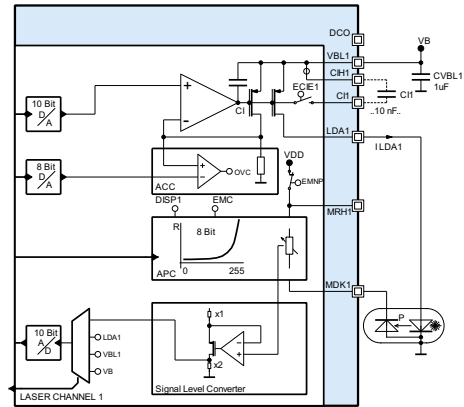


Figure 9: ACC with monitor photodiode

ACC mode permits combining both channels in one iC-HTP (see chapter COMBINING BOTH CHANNELS) and several iC-HTP in parallel. When both channels are combined the programmable overcurrent shutdown is carried out per each channel. If both channels are configured in ACC mode, LDA1 and LDA2 can be connected together. Each channel can be configured with a different current range, yielding different granularity in steps regulation for each channel.

The Regulator

In MCU mode the control can be carried out without the need of external capacitor. This allows a fast response of the regulator. The speed of the regulator's response and stability can be configured using three bits (COMPx), providing a current compensation factor.

COMP1		
Code	Function	Addr. 0x13; bit 6:4 R/W 011
000	Minimum compensation current for the channel 1 regulator, slower response	
...		
111	Maximum compensation current for the channel 1 regulator, faster response	

Table 37: Current compensation channel 1

COMP2		
Code	Function	Addr. 0x18; bit 6:4 R/W 011
000	Minimum compensation current for the channel 2 regulator, slower response	
...		
111	Maximum compensation current for the channel 2 regulator, faster response	

Table 38: Current compensation channel 2

iC-HTP DUAL CW P-TYPE LASER DIODE DRIVER

Rev D2, Page 19/51

Alternatively it is possible to use external capacitors connected to pins Clx and ClHx. In this case, register bit ECIEx should be set to 1 and COMPx to its highest value, "111".

ECIE1		Addr. 0x10; bit 1	R/W 0
Code	Function		
0	External Cl capacitor for channel 1 disconnected		
1	External Cl capacitor for channel 1 connected		

Table 39: Enable external Cl capacitor channel 1

ECIE2		Addr. 0x15; bit 1	R/W 0
Code	Function		
0	External Cl capacitor for channel 2 disconnected		
1	External Cl capacitor for channel 2 connected		

Table 40: Enable external Cl capacitor channel 2

The regulator is offset compensated in order to prevent optical power drifts.

An internal oscillator is used for the offset compensation. A watchdog timer (WDT) is included in order to monitor proper function of the oscillator. If an error is detected by the WDT, the laser channels are operated with an offset to ensure a safe power level, OSCERR error bit is set in STATUS0 register and the error event is signaled at pin NCHK. This error signaling can be suppressed using the mask register bit MOSCERR (set to 1).

MOSCERR		Addr. 0x1D; bit 0	R/W 0
Code	Function		
0	Oscillator error (watchdog) will be signaled at NCHK		
1	Oscillator error (watchdog) will not be signaled at NCHK		

Table 41: Oscillator watchdog error mask

iC-HTP monitors the saturation voltage of the regulator's output transistor at pin LDax. The LDA saturation threshold can be configured through register bits RL-DASx.

RLDAS1		Addr. 0x13; bit 3:2	R/W 00
Code	Function		
00	V(LDA1) > VBL1-0.5 V sets the LDASAT1 alarm bit		
01	V(LDA1) > VBL1-0.8 V sets the LDASAT1 alarm bit		
10	V(LDA1) > VBL1-1.0 V sets the LDASAT1 alarm bit		
11	V(LDA1) > VBL1-1.2 V sets the LDASAT1 alarm bit		

Table 42: LDA saturation threshold selection channel 1

RLDAS2		Addr. 0x18; bit 3:2	R/W 00
Code	Function		
00	V(LDA2) > VBL2-0.5 V sets the LDASAT2 alarm bit		
01	V(LDA2) > VBL2-0.8 V sets the LDASAT2 alarm bit		
10	V(LDA2) > VBL2-1.0 V sets the LDASAT2 alarm bit		
11	V(LDA2) > VBL2-1.2 V sets the LDASAT2 alarm bit		

Table 43: LDA saturation threshold selection channel 2

If the LDax voltage goes higher than the LDA saturation threshold the LDASATx error bit in STATUS1 register will be set and it will be signaled through output pin NCHK. Setting the mask register bit MLDASATx to 1 suppresses the signaling at NCHK.

MLDASAT1		Addr. 0x1D; bit 2	R/W 1
Code	Function		
0	LDASAT1 event will be signaled at NCHK		
1	LDASAT1 event will not be signaled at NCHK		

Table 44: LDA saturation error mask channel 1

MLDASAT2		Addr. 0x1D; bit 3	R/W 1
Code	Function		
0	LDASAT2 event will be signaled at NCHK		
1	LDASAT2 event will not be signaled at NCHK		

Table 45: LDA saturation error mask channel 2

Laser channel enabling and error handling

With pin INS/WKR or EMC unconnected, a corresponding error signal will be generated (INSOPEN, EM-COPEN). Any of these error signals will disable the laser channels.

Setting DISC1 and DISC2 to 1 (default) disables the corresponding channel.

The errors in STATUS0 and STATUS1 registers disable the laser channels. Every change in the STATUS registers is signaled at pin NCHK, unless the error event is masked by the corresponding error mask bit.

iC-HTP DUAL CW P-TYPE LASER DIODE DRIVER

Rev D2, Page 20/51

Register	Address	Bits	Default	Description
INITRAM	0x00	0	R/O	RAM initialized
PDOVDD	0x00	1	R/O	Power down at VDD
MEMERR	0x00	2	R/O	RAM memory validation error
OVT	0x00	3	R/O	Overtemperature
OVC2	0x00	4	R/O	Overcurrent at channel 2
OVC1	0x00	5	R/O	Overcurrent at channel 1
OSCERR	0x00	6	R/O	Oscillator error (watchdog set)
CFGTIMO	0x00	7	R/O	Configuration mode timeout
MAPC1	0x01	0	R/O	Channel 1 current state
MONC1	0x01	1	R/O	Monitor channel 1 enabled at least once (latched)
LDASAT1	0x01	2	R/O	Channel 1 LDA saturation
PDOVBL1	0x01	3	R/O	Power down at VBL1 or Power down in any of VBL1 or VBL2 in merge mode
MAPC2	0x01	4	R/O	Channel 2 current state
MONC2	0x01	5	R/O	Monitor channel 2 enabled at least once (latched)
LDASAT2	0x01	6	R/O	Channel 2 LDA saturation
PDOVBL2	0x01	7	R/O	Power down at VBL2 or VBL1 not equal to VBL2 in merge mode

Table 46: Status registers overview

In order to enable the channels, the error events must be acknowledged. Acknowledging an error is accomplished by reading the STATUS register. After a power-on PDOVDD, PDOVBL1, PDOVBL2 and INITRAM errors will be set, therefore it is required to read STATUS0 and STATUS1 registers after each power-on.

Exiting standby mode will not reset the RAM but will set the PDOVDD status bit. Therefore STATUS0 must

be read once after each standby to re-enable the laser channels.

In case of an overcurrent (OVC) or an overtemperature (OVT), the laser outputs are disabled.

A memory error and a configuration timeout error will also disable the laser outputs. The conditions to enable each laser output are shown in Figure 10.

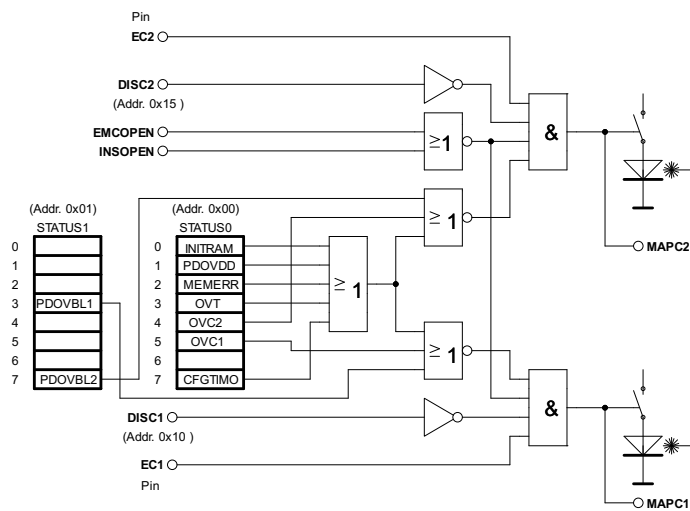


Figure 10: Laser control logic in MCU mode

iC-HTP DUAL CW P-TYPE LASER DIODE DRIVER

Rev D2, Page 21/51

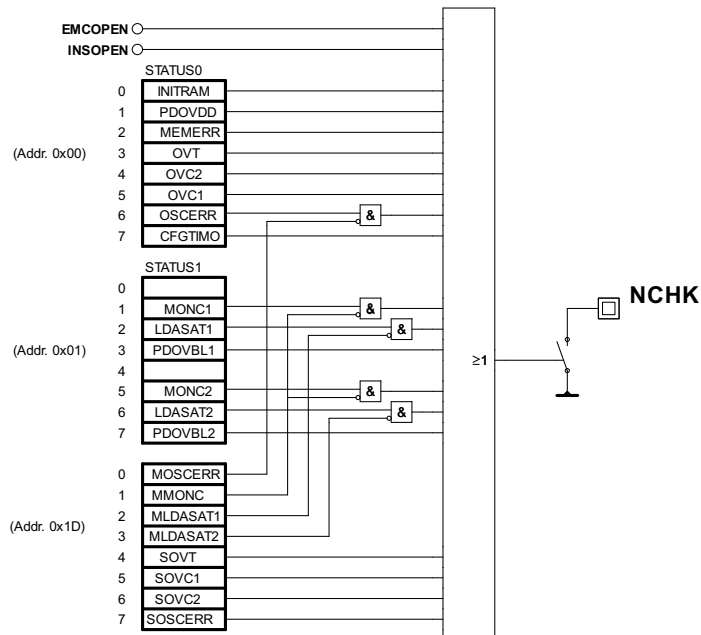


Figure 11: NCHK behavior in MCU mode

PULSED MODE

The Pulsed Mode is a particular mode of microcontroller mode. It is enabled with EPULx and in this mode it is strongly recommended to use an external CI capacitor.

EPUL1	Addr. 0x13; bit bit 7	R/W 0
EPUL2	Addr. 0x18; bit bit 7	R/W 0
Code	Function	
0	Pulsed mode disabled	
1	Pulsed Mode enabled	

Table 47: Enable Pulse Mode

The iC-HTP can be pulsed up to 300kHz. In Pulsed Mode the laser current can be enabled and disabled using the pin ECx, while the regulator keeps its operation point stored in the CI capacitor.

Working in APC mode the average value of light is regulated. If the laser is switched off for a long period of time

the regulator tends to increase the set point of the current. To avoid laser damages a timeout is implemented in APC mode and the regulation will be automatically disconnected. The minimum pulse frequency in APC mode is 2 kHz.

Working in ACC mode no time out is implemented and the laser can be pulsed with frequencies from CW up to 300 kHz.

If a long laser pulse pause is required in APC mode (burst pulses), the current at the laser can be measured while the laser is on (see 10 bit linear A/D converter on page 29), and the ACC mode can be set during the laser-off period, thus avoiding the regulator to loose its operation point. The timeout duration (min. 300 μs) allows the activation of the ACC mode after switching the laser off without interruption of the regulation. The procedure is described on figure 12, 13 and 14.

iC-HTP DUAL CW P-TYPE LASER DIODE DRIVER

Rev D2, Page 22/51

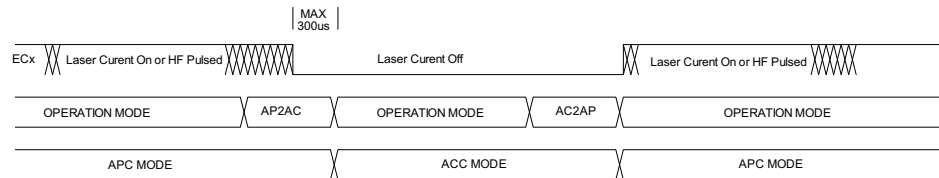


Figure 12: Working in APC with long pause

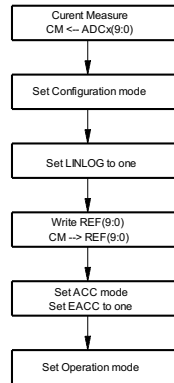


Figure 13: AP2AC procedure

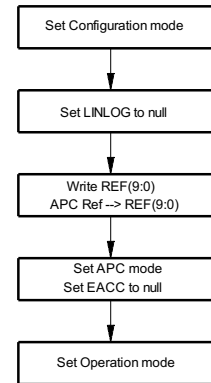


Figure 14: AC2AP procedure

Pulsed mode affects the overcurrent detection:

Overcurrent in Pulsed Mode			
EPULx	EACCx	ILIMx(7:0)	OVC
1	0	0x00	Disabled
1	1	–	Disabled
1	0	> 0x00	Normal function

Table 48: Overcurrent detection in Pulsed Mode

Note: Overcurrent is also disabled when using the linear reference D/A setting register bit LINLOGx.

COMBINING BOTH CHANNELS

iC-HTP can drive one laser diode with up to 1500 mA and both channels combined. Therefore register bit MERGE must be set to 1. Disable channel register bits DISC1 and DISC2 must both be set to 0 and both enable channel pins EC1 and EC2 must be set hi.

MERGE		Addr. 0x1B; bit 6	R/W 0
Code	Function		
0	Channel 1 and 2 operate independently		
1	Power transistor from channel 2 usable in parallel with channel 1, regulation made by channel 1		

Table 49: Channel combination

iC-HTP DUAL CW P-TYPE LASER DIODE DRIVER

Rev D2, Page 23/51

Different current ranges can be configured using CRNG1 and CRNG2. The resulting range is the addition of both configured ranges.

CRNG1(1:0)		Addr. 0x1E; bit 1:0	R/W 00
Code	Function		
00	Output current range from 0 to 750 mA, RACC1 = 0, k factor set to 750/750 = 1		
01	Output current range from 0 to 100 mA, RACC1 = 0, k factor set to 100/750 = 0.13		
10	Output current range from 0 to 25 mA, RACC1 = 0, k factor set to 25/750 = 0.03		
11	Output current range from 0 to 9 mA, RACC1 = 0, k factor set to 9/750 = 0.012		
00	Output current range from 0 to 90 mA, RACC1 = 1, k factor set to 750/750 = 1		
01	Output current range from 0 to 12 mA, RACC1 = 1, k factor set to 100/750 = 0.13		
10	Output current range from 0 to 3 mA, RACC1 = 1, k factor set to 25/750 = 0.03		
11	Output current range from 0 to 1.1 mA, RACC1 = 1, k factor set to 9/750 = 0.012		

Table 50: Current range channel 1

CRNG2(1:0)		Addr. 0x1E; bit 5:4	R/W 00
Code	Function		
00	Output current range from 0 to 750 mA, RACC2 = 0, k factor set to 750/750 = 1		
01	Output current range from 0 to 100 mA, RACC2 = 0, k factor set to 100/750 = 0.13		
10	Output current range from 0 to 25 mA, RACC2 = 0, k factor set to 25/750 = 0.03		
11	Output current range from 0 to 9 mA, RACC2 = 0, k factor set to 9/750 = 0.012		
00	Output current range from 0 to 90 mA, RACC2 = 1, k factor set to 750/750 = 1		
01	Output current range from 0 to 12 mA, RACC2 = 1, k factor set to 100/750 = 0.13		
10	Output current range from 0 to 3 mA, RACC2 = 1, k factor set to 25/750 = 0.03		
11	Output current range from 0 to 1.1 mA, RACC2 = 1, k factor set to 9/750 = 0.012		

Table 51: Current range channel 2

In ACC mode, only RACC1 modifies the current range and for both channels the same.

When both channels are combined the control is done by channel 1. APC and ACC can both be used with both channels combined.

Current ranges in merge mode for ACC			
RACC1	CRNG1	CRNG2	Current range
0	00	00	1500 mA
0	00	01	850 mA
0	00	10	775 mA
0	00	11	759 mA
0	01	00	850 mA
...
1	00	00	180 mA
1	00	01	102 mA
1	00	10	93 mA
1	00	11	91.1 mA
1	01	00	102 mA
...

Table 52: Merge mode current ranges

In ACC mode, the reference needs to be configured according to the selected current range (if both CRNG1 and CRNG2 are the same, set to 50% of the equivalent value for a single channel operation). This is not required for APC.

Both VBL1 and VBL2 must be connected to the same voltage level. If voltages at VBL1 and VBL2 are different, PODOVBL2 bit in status register will be set and laser will be shut down. In merge mode, the PODOVBL1 bit is used to monitor both VBL1 and VBL2 voltages for power down. If any of the VBL1 or VBL2 are in power down, this bit will be set.

PDOVBL1		Addr. 0x01; bit 3	R
Code	Function		
0	VBL1 power down not occurred since last read. If MERGE = 1, VBL1 and VBL2 had no power down since last read		
1	VBL1 power down event has occurred. If MERGE = 1, VBL1 or VBL2 had a power down event. Cleared on read		

Table 53: VBL1 power down

PDOVBL2		Addr. 0x01; bit 7	R
Code	Function		
0	VBL2 power down not occurred since last read. If MERGE = 1, VBL1 voltage level equals VBL2 voltage level		
1	VBL2 power down event has occurred. If MERGE = 1, VBL1 voltage level not equals VBL2 voltage level. Cleared on read		

Table 54: VBL2 power down

iC-HTP DUAL CW P-TYPE LASER DIODE DRIVER

Rev D2, Page 24/51

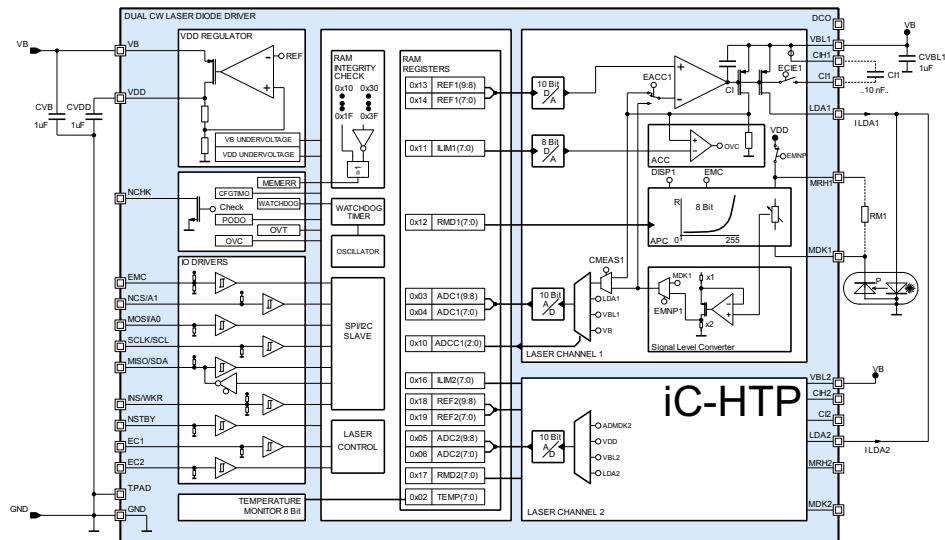


Figure 15: Combining both channels

In combined mode, the internal CI nodes of both channels are connected together. If required, an external capacitor on channel 1 can be used for improved stability. It is possible to have an additional external capacitor on channel 2 if ECIE2 bit is set to 1. Having an external capacitor on channel 2 and none on channel 1 is invalid.

On combined operation both overcurrent thresholds are active. The overcurrent threshold channel 1, ILIM1, needs to be set accordingly to the selected current range as stated below. If both CRNG1 and CRNG2 are the same, set to 50% of the equivalent value for a single channel operation.

$$I_{lim}(merge) = (\Delta I(LDA), max) \cdot n \cdot (k1 + k2)$$

Where k1 depends on CRNG1 and k2 depends on CRNG2.

$$n = \frac{I_{lim}(merge)}{(k1 + k2) \cdot \Delta I(LDA), max}$$

with n from 1 to 255.

The overcurrent threshold channel 2, ILIM2, must be set to its maximum or disabled with any of the following procedures:

ACC mode Setting it to its maximum value (0xFF) or setting it to its minimum value (0x00) (disconnected)

APC mode Setting it to its maximum value (0xFF)

ILIM1		Addr. 0x11; bit 7:0	R/W 0xFF
Code	Function		
0x00	Channel 1 overcurrent threshold set to the minimum current in APC mode (EACC1 = 0) or overcurrent protection disabled in ACC mode (EACC1 = 1)		
...	Channel 1 overcurrent threshold set to $I_{lim} = (\Delta I(LDA), max) \cdot n \cdot k$, n from 0 to 255		
0xFF	Channel 1 overcurrent threshold set to the maximum current		

Table 55: Overcurrent threshold configuration channel 1

ILIM2		Addr. 0x16; bit 7:0	R/W 0xFF
Code	Function		
0x00	Channel 2 overcurrent threshold set to the minimum current in APC mode (EACC2 = 0) or overcurrent protection disabled in ACC mode (EACC2 = 1)		
...	Channel 2 overcurrent threshold set to $I_{lim} = (\Delta I(LDA), max) \cdot n \cdot k$, n from 0 to 255		
0xFF	Channel 2 overcurrent threshold set to the maximum current		

Table 56: Overcurrent threshold configuration channel 2

It is possible to use a second photodiode connected to channel 2 (e.g. as a safety supervisor). The ADC on channel 2 can be used to monitor the voltage at pin MDK2, as it is shown in Figure 16.

iC-HTP DUAL CW P-TYPE LASER DIODE DRIVER

Rev D2, Page 25/51

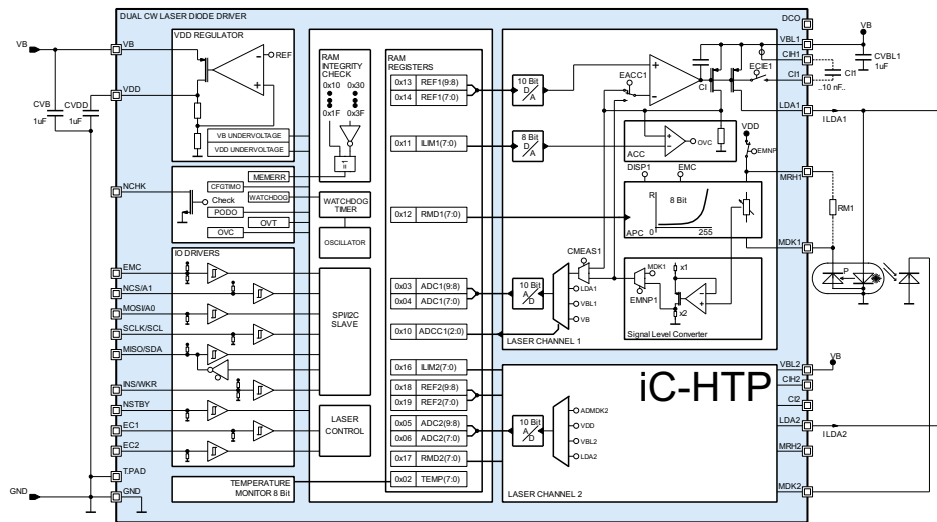


Figure 16: Additional photodiode in combined configuration

SERIAL COMMUNICATION INTERFACES

SPI slave interface

The SPI slave interface is enabled by setting pin **INS/WKR** to lo and uses pins **NCS/A1**, **SCLK/SCL**, **MISO/SDA** and **MOSI/A0**. Pin **NCS/A1** is the chip select pin and must be set lo by the SPI master in order to start communication. Pins **MISO/SDA** and **MOSI/A0** are the data communication lines and pin **SCLK/SCL** is the clock line generated by the SPI master (e.g. microcontroller). The SPI protocol frames are shown in Figure 17.

A communication frame consists of one address byte and at least one data byte. Bits 7:6 of the address byte is the opcode used for selecting a read operation (set to "10") or a write (set to "01") operation. The remaining 6 bits are used for register addressing.

It is possible to transmit several bytes consecutively, if the **NCS** signal is not reset and **SCLK/SCL** keeps clocking, as shown in Figure 17. The address is internally incremented after each transmitted byte. Once the address reaches the last register (0x3F), it is reset back to 0x00.

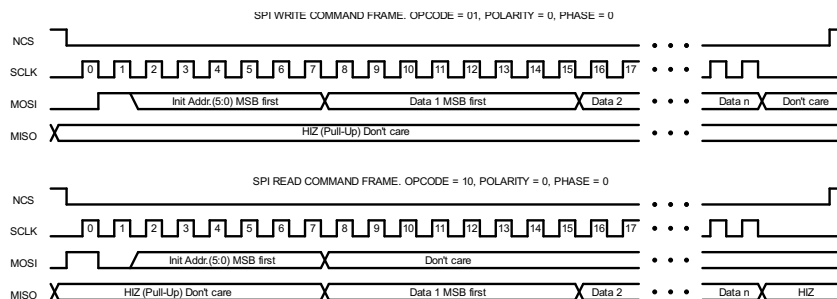


Figure 17: SPI read and write commands

iC-HTP DUAL CW P-TYPE LASER DIODE DRIVER

Rev D2, Page 26/51

I²C slave interface

The I²C slave interface is enabled by setting pin INS/WKR to hi and uses pins NCS/A1, SCLK/SCL, MISO/SDA and MOSI/A0. The protocol frames are shown in Figure 18.

ID consists of 7 bits. The five most significant bits are fixed by default to value 0b10000. Pins MOSI/A0 and NCS/A1 are used to set the remaining slave ID bits (see Table 57 and 58).

Action	b7	b6	b5	b4	b3	b2	b1	b0
Write to slave	1	0	0	0	0	A1	A0	0
Read from slave	1	0	0	0	0	A1	A0	1

Table 57: I²C write/read byte

A communication frame consists of one slave address byte, one register address byte and at least one data byte. Bits 7:1 of the slave address byte form the slave identification code (ID) and bit 0 is used for specification of the data direction (0 for write, 1 for read). The slave

Action	A1	A0	Slave ID	Address byte
Write to slave 0	lo	lo	0x40	0x80
Read from slave 0	lo	lo	0x40	0x81
Write to slave 1	lo	hi	0x41	0x82
Read from slave 1	lo	hi	0x41	0x83
Write to slave 2	hi	lo	0x42	0x84
Read from slave 2	hi	lo	0x42	0x85
Write to slave 3	hi	hi	0x43	0x86
Read from slave 3	hi	hi	0x43	0x87

Table 58: I²C write/read address

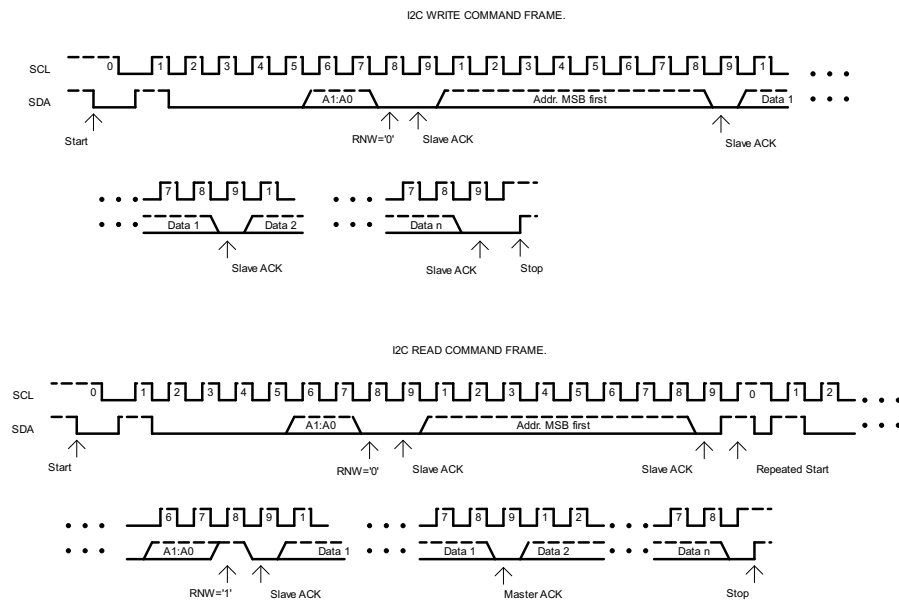


Figure 18: I²C read and write commands

iC-HTP

DUAL CW P-TYPE LASER DIODE DRIVER

Rev D2, Page 27/51

8 BIT INTERNAL PROGRAMMABLE LOGARITHMIC MONITOR RESISTORS

In MCU mode internal 8 bit programmable logarithmic monitor resistors (PLRx) are provided for APC.

$$Rmd = Rmd_0(1 + \frac{\Delta Rmd(\%)}{100})^{n+1}, n \text{ from } 0 \text{ to } 255$$

RMD1	Addr. 0x12; bit 7:0	R/W 0xFF
Code	Function	
0x00	PLR1 resistor set to the minimum resistance	
...	PLR1 resistor set to $Rmd = Rmd_0(1 + \frac{\Delta Rmd(\%)}{100})^{n+1}$, n from 0 to 255	
0xFF	PLR1 resistor set to the maximum resistance	

Table 59: MDK resistor channel 1

RMD2	Addr. 0x17; bit 7:0	R/W 0xFF
Code	Function	
0x00	PLR2 resistor set to the minimum resistance	
...	PLR2 resistor set to $Rmd = Rmd_0(1 + \frac{\Delta Rmd(\%)}{100})^{n+1}$, n from 0 to 255	
0xFF	PLR2 resistor set to the maximum resistance	

Table 60: MDK resistor channel 2

The resistor value can be selected from 256 values, ranging from 100 Ω to 407 kΩ, following logarithmic increments with a typical step width of 3.3%. The resistors are configured with registers RMDx(7:0).

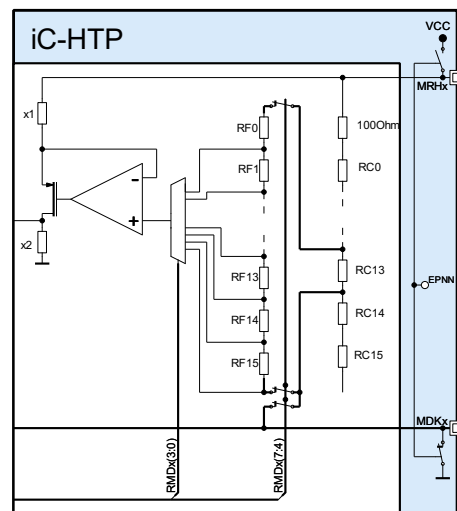


Figure 19: PLR internal node regulation

The following formula calculates the register RMDx in order to set the desired resistor value:

Where Rmd_0 is the minimum resistor value (typically 100 Ω), $\Delta Rmd(\%)$ is the step between two consecutive resistor values (typically 3.3%) and n is the value of RMDx register in decimal.

In APC mode the regulation node is the internal connection to PLR, it is not the MDAX pin. Voltage present at pin MDKx may differ from the internal regulation node (see details in Figure 19). This regulation node can be sensed through the 10 bit A/D converter and read at register ADCx. Register bit ADFNSx must be set to 0 for this purpose. If ADFNSx is set to 1, MDKx pin will be the input of the A/D converter.

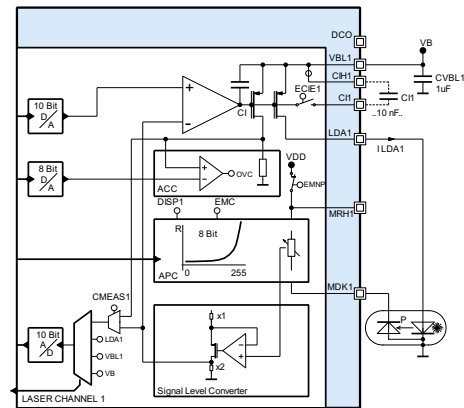


Figure 20: PLR in APC

At pin MDKx only the 4 MSB of the RMDx configuration from PLRx are measurable. The 8 bits of the PLRx configuration RMDx can be measured with the A/D converter setting ADFNSx to 0.

The PLRx can be disabled using register bit DISPx. With DISPx = 0 the PLRx is enabled and DISPx = 1 disables the PLRx.

DISP1	Addr. 0x10; bit 2	R/W 0
Code	Function	
0	PLR enabled for channel 1	
1	PLR disabled for channel 1	

Table 61: Disable PLR channel 1

iC-HTP DUAL CW P-TYPE LASER DIODE DRIVER

Rev D2, Page 28/51

DISP2		Addr. 0x15; bit 2	R/W 0
Code	Function		
0	PLR enabled for channel 2		
1	PLR disabled for channel 2		

Table 62: Disable PLR channel 2

In ACC mode the PLR is not used in the control circuit. Instead, the internal RACCx resistor is used in the control loop.

Even though the PLR is not in the control circuit, it can be enabled (DISPx = 0) in order to give feedback through the 10 bit A/D converter for the controlling light power if a monitor diode is connected.

Register bit ADFNSx is set to 0 to measure the internal sense node. Alternatively, an external monitor resistor can be used to measure the optical power, by setting DISPx to 1. Then register bit ADFNSx must be set to 1 in order to measure directly at pin MDKx.

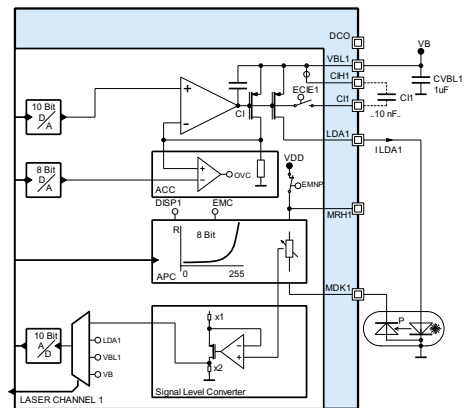


Figure 21: ACC with monitor photodiode

10 BIT LOGARITHMIC D/A CONVERTER

The 10 bit logarithmic D/A converter is used for setting the regulator's voltage reference. The D/A converter is active in all operating modes. In iC-WK mode only two values are available: 0.25 V (INS/WKR = lo) and 0.5 V (INS/WKR = hi). In MCU mode both APC and ACC use the D/A converter. With a range from 0.1 to 1.1 V and a typical step width of 0.235%.

REF1		Addr. 0x13/14; bit 9:0	R/W 0x000
Code	Function		
0x000	Channel 1 regulator reference voltage set to minimum voltage		
...	Channel 1 regulator reference voltage set to $Vref = Vref_0(1 + \frac{\Delta Vref(\%)}{100})^{n+1}$, n from 0 to 1023		
0x3FF	Channel 1 regulator reference voltage set to maximum voltage		

Table 63: Regulator voltage reference channel 1

REF2		Addr. 0x18/19; bit 9:0	R/W 0x000
Code	Function		
0x000	Channel 2 regulator reference voltage set to minimum voltage		
...	Channel 2 regulator reference voltage set to $Vref = Vref_0(1 + \frac{\Delta Vref(\%)}{100})^{n+1}$, n from 0 to 1023		
0x3FF	Channel 2 regulator reference voltage set to maximum voltage		

Table 64: Regulator voltage reference channel 2

The D/A converter is configured through register REFx(9:0). With REFx(9:0) = 0x000, the D/A output value is set to 0.1 V and for REFx(9:0) = 0x3FF to 1.1 V.

To calculate the D/A converter value for each REFx value, use the following expression:

$$Vref = Vref_0(1 + \frac{\Delta Vref(\%)}{100})^{n+1}, n \text{ from } 0 \text{ to } 1023$$

Where $Vref_0$ is the minimum value (typically 0.1 V), $\Delta Vref(\%)$ is the step value (typically 0.235 %) and n is the value of register REFx in decimal.

Linear mode

The reference voltage for the regulation can be chosen from a 10 bit logarithmic DAC or a 10 bit linear DAC with the LINLOGx register.

$$VDAC_{linear} = REF * \frac{VFS}{1024}$$

LINLOG1		Addr. 0x1E; bit bit 3	R/W 0
LINLOG2		Addr. 0x1E; bit bit 7	R/W 0
Code	Function		
0	Logarithmic 10 bit DAC selected		
1	Linear 10 bit DAC selected		

Table 65: Linear or Logarithmic reference selection

LINLOGx affects the Overcurrent detection:

iC-HTP DUAL CW P-TYPE LASER DIODE DRIVER

Rev D2, Page 29/51

LINLOGx	OVC
0	Normal function
1	Disabled

Table 66: Overcurrent detection in linear/logarithmic mode

10 BIT LINEAR A/D CONVERTER

A 10 bit linear A/D converter is available for each channel when working in MCU mode. A variety of voltages can be measured by the converter with two resolutions:

- V(LDAX) up to 11 V with 11.81 mV resolution
- V(VDD) up to 8 V with 8.6 mV resolution
- V(VB) up to 11 V with 11.81 mV resolution
- V(VBLx) up to 11 V with 11.81 mV resolution
- V(MDKx) up to 1.1 V with 1.075 mV resolution
- V(RACC) up to 1.1 V with 1.075 mV resolution
- V(PLRx) up to 1.1 V with 1.075 mV resolution

The register bits ADCCx select the signal measured with the 10 bit A/D converter.

ADCC1(2:0)	Addr. 0x10; bit 7:5	R/W 000
Code	Function	
0xx	Channel 1 ADC disabled	
100	Channel 1 ADC sourced by V(MDK1), ADFNS1 = 1, CMES1 = 0	
100	Channel 1 ADC sourced by V(PLR1), ADFNS1 = 0, CMES1 = 0	
100	Channel 1 ADC sourced by ACC current sensor, CMES1 = 1	
101	Channel 1 ADC sourced by V(VB)	
110	Channel 1 ADC sourced by V(VBL1)	
111	Channel 1 ADC sourced by V(LDA1)	

Table 67: ADC channel 1 source selection

ADCC2(2:0)	Addr. 0x15; bit 7:5	R/W 000
Code	Function	
0xx	Channel 2 ADC disabled	
100	Channel 2 ADC sourced by V(MDK2), ADFNS2 = 1, CMES2 = 0	
100	Channel 2 ADC sourced by V(PLR2), ADFNS2 = 0, CMES2 = 0	
100	Channel 2 ADC sourced by ACC current sensor, CMES2 = 1	
101	Channel 2 ADC sourced by V(VDD)	
110	Channel 2 ADC sourced by V(VBL2)	
111	Channel 2 ADC sourced by V(LDA2)	

Table 68: ADC channel 2 source selection

With ADCCx(2:0) = 0x100, the signal to the A/D converter is selected by register bit ADFNSx. With

ADFNSx = 0 the measuring point to the A/D converter is the internal sense node of the programmable logarithmic monitor resistor (PLR) after the x2 level shifting. With ADFNSx = 1 the sensing point is connected directly to MDKx pin.

ADFNS1	Addr. 0x1A; bit 2	R/W 0
Code	Function	
0	ADC measurement PLR1 after x2 level shifting (sense)	
1	ADC measurement MDK1 pad (force)	

Table 69: ADC channel 1 force/sense selection

ADFNS2	Addr. 0x1A; bit 6	R/W 0
Code	Function	
0	ADC measurement PLR2 after x2 level shifting (sense)	
1	ADC measurement MDK2 pad (force)	

Table 70: ADC channel 2 force/sense selection

With the CMESx bit, the ADC can be used for laser current measurement in ACC mode. For this measurement, ADCCx register must be set to 0x100.

CMES1	Addr. 0x1A; bit bit 1	R/W 0
CMES2	Addr. 0x1A; bit bit 5	R/W 0
Code	Function	
0	Optical Power selected for AD	
1	Laser current selected for AD	

Table 71: AD selection with ADCCx(2:0)=100

As shown in Figure 8, a fraction of the current delivered by the driver to the laser is mirrored to a resistor. The voltage drop at this resistor is sourced to the ADC. For a given value of the ADC, the current can be calculated as follows

$$I(LDAX) = \frac{VFS * ADCx}{R} * MFACT$$

VFS is the full scale voltage of the A/D converter (cf. *Electrical Characteristics No. 706*), typically 1.1 V. MFACT is the mirror factor between the LDA driver and

iC-HTP DUAL CW P-TYPE LASER DIODE DRIVER

Rev D2, Page 30/51

the measurement. This Factor depends on the selected current range (CRNG(1:0)) as per Table below:

ACC mirror factor		
MERGE	CRNGx	Mirror factor
0	00	Mirror Factor set to 2500
0	01	Mirror Factor set to 333
0	10	Mirror Factor set to 83
0	11	Mirror Factor set to 30
1	00	Mirror Factor set to 5000
1	01	Mirror Factor set to 666
1	10	Mirror Factor set to 166
1	11	Mirror Factor set to 60

Table 72: Mirror factor

R is the value of the measurement resistance, this value depends on RACC as per Table below:

RACC1		Addr. 0x1A; bit 0	R/W 0
Code	Function		
0	Current range high for channel 1, Current sensor resistor (Rsensex) set to 2 kΩ		
1	Current range low for channel 1, Current sensor resistor (Rsensex) set to 16 kΩ		

Table 73: Current range configuration channel 1

RACC2		Addr. 0x1A; bit 4	R/W 0
Code	Function		
0	Current range high for channel 2, Current sensor resistor (Rsensex) set to 2 kΩ		
1	Current range low for channel 2, Current sensor resistor (Rsensex) set to 16 kΩ		

Table 74: Current range configuration channel 2

Since all of the above values are typical, a calibration measurement is recommended to calculate the offset of each device.

When enabled, the A/D converter is continuously acquiring the signal selected by register ADCCx. The conversion time is 140 μs. Changing the source with ADCCx may require up to 500 μs settling time of the sampling capacitors. Every time a conversion is finished the bit DRDYx is set. The MCU can poll the registers DRDYx and when a conversion is ready, read the correspondent data registers. The registers DRDYx are cleared when read and set back to one after a new conversion is ready.

Sampling input signals at a certain moment

To perform a conversion of an input signal at a certain moment (sampling), procedure can be as follows:

1. Set ADCCx to the desired input source and wait for the settling time (up to 500 μs)
2. Disable ADC if not already disabled (ADCCx(2) set to 0). This will cause DRDYx to be cleared
3. Enable ADC at the desired measurement moment to hold the input signal (ADCCx(2) set to 1)
4. Poll DRDYx register until set to one and read ADC data
5. Repeat from point 2

As the A/D converter is 10 bit long, the results are split into two byte wide separated registers: ADCxh containing channel x ADC MSBs values while ADCxl stores the LSBs. The A/D converter must be stopped before the result can be read to prevent measurement change during MSB and LSB readout. The procedure is as follows:

1. Set ADCCx to the desired input source with the ADC disabled (ADCCx, bit 2 set to 0) and wait for the settling time (Item. 701, up to 500 us)
2. Start ADC conversion (ADCCx, bit 2 set to 1)
3. Wait for DRDYx set to 1
4. Stop the ADC (ADCCx, bot 2 set to 0)
5. Read the ADC data
6. If ADC input source doesn't need to be changed, repeat from 2

ADC1		Addr. 0x03/04; bit 9:0	R
Code	Function		
0x000	ADC minimum value		
0x3FF	ADC maximum value		

Table 75: ADC channel 1

ADC2		Addr. 0x05/06; bit 9:0	R
Code	Function		
0x000	ADC minimum value		
0x3FF	ADC maximum value		

Table 76: ADC channel 2

DRDY1		Addr. 0x07; bit bit 0	R
DRDY2		Addr. 0x07; bit bit 1	R
Code	Function		
0	No new ADC data since last read		
1	New ADC data available		

Table 77: ADC data ready

The voltage corresponding to the measured digital value can be directly obtained through the following formula:

$$V(LDax, VB, VBLx) = 11 * \frac{VFS}{1023} * ADCx$$

iC-HTP DUAL CW P-TYPE LASER DIODE DRIVER

Rev D2, Page 31/51

$$V(VDD) = 8 * \frac{VFS}{1023} * ADCx$$

$$V(MDKx, PLRx) = \frac{VFS}{1023} * ADCx$$

VFS is the full scale voltage of the A/D converter (cf. *Electrical Characteristics No. 706*), typically 1.1V. For a more precise measurement, the A/D converter can be calibrated by measuring a known VB voltage and calculate the VFS.

With ADFNSx = 1 the sensing point is connected directly to pin MDKx. Depending on the regulation voltage, it is possible that V(MDKx) is higher than 1.1V. When pin MDKx is the source of the A/D converter, saturation of the converter will occur. When monitoring pin MDKx with the A/D converter, V(MDKx) must be lower than 1.1V.

DC/DC CONVERTER OPTIMIZATION

iC-HTP provides a 6 bit configurable current at pin DCO that can be used to trim the output voltage of a DC/DC converter. In stand-by mode the DCO current source is disconnected and set to high impedance.

Texas Instruments. This converter allows an input voltage ranging from 2.5 to 12V and offers an output voltages from 2.5 to 8V. It is capable of delivering up to 2A current, depending on the output voltage. Figure 22 shows a possible configuration.

Possible application wich benefit from using DCO:

- DC/DC step down operation: regulation at voltages lower than power supply
- DC/DC step up operation: regulation at voltages higher than power supply
- Efficiency enhancement

The proposed applications can be demonstrated with a standard DC/DC converter e.g. TPS63060DSC from

RDCO		Addr. 0x1B; bit 5:0	R/W 0x02
Code	Function		
0x00	No current		
...			
0x3F	Typ. 130 µA (cf. <i>Electrical Characteristics No. D01</i>)		

Table 78: Digital current output register

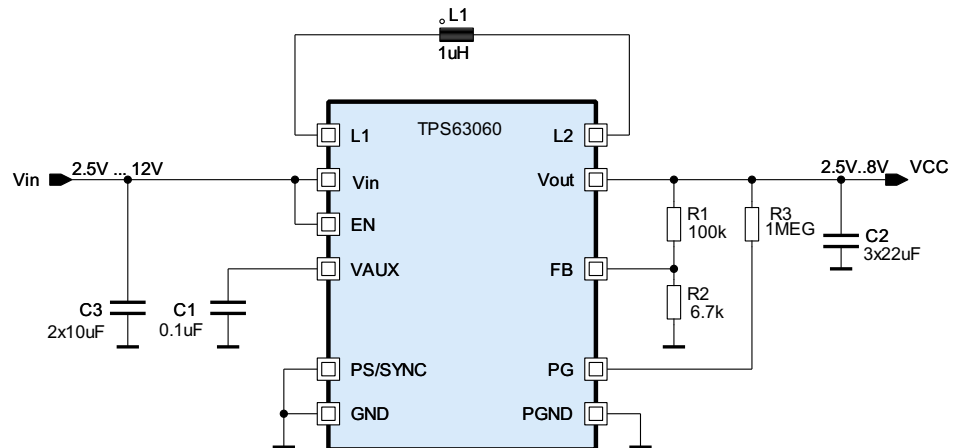


Figure 22: TPS63063 DC/DC converter from TI

DC/DC step down operation

The resistors R1 and R2 in the feedback path allow setting the desired output value, Vout. The DC/DC converter drives pin Vout in order to yield 0.5V at feedback pin FB. The DCO output signal from iC-HTP is con-

nected to pin FB. Vout is controlled with the internal register RDCO.

The DCO current into FB controls the voltages of the divider R1 and R2 and Vout changes in order to maintain 0.5V at pin FB. Selecting R1 and R2 needs to consider:

iC-HTP DUAL CW P-TYPE LASER DIODE DRIVER

Rev D2, Page 32/51

- Resistors values: $R1 = R2 \left(\frac{V_{out}}{V_{FB}} - 1 \right)$
- Current of the voltage divider should be high enough, in comparison to the current from the pin DCO, to offer acceptable resolution. The programmable current resolution from register RDCO is $2 \mu A$.
- DCO current into the voltage divider will lower V_{out} , which is 8 V with no current at DCO.

Choosing $R1$ to $100 \text{ k}\Omega$, the value of $R2$ can be calculated:

$$R2 = \frac{R1}{\frac{V_{out}}{V_{FB}} - 1} = \frac{100 \text{ k}\Omega}{\frac{8 \text{ V}}{0.5 \text{ V}} - 1} = 6.7 \text{ k}\Omega$$

With this configuration the current through the voltage divider is $75 \mu A$ at 8 V. The resolution of each RDCO step then is 200 mV .

The value in RDCO register needed in order to have the desired output voltage can be calculated using the following formula:

$$RDCO = \frac{I_{dco}}{2 \mu A} = \frac{IR2 - IR1}{2 \mu A} = \frac{0.5 \text{ V}}{6.7 \text{ k}\Omega} - \frac{V_{out} - 0.5 \text{ V}}{100 \text{ k}\Omega}$$

The resulting value will vary slightly depending on the tolerances of the selected resistors and DCO current.

The voltage is reduced from 8 V ($RDCO = 0$) to 2.5 V, when $RDCO = 27$.

DC/DC step up operation

A practical application of the present case is the control of blue lasers. This type of laser present a forward voltage around 5 V, which demands an LDA voltage of about 6 V. If the system is supplied with a 3 V LiPo battery, it is necessary to use a the DC/DC in order to step up and drive the laser diode and driver with a sufficient voltage. Figure 23 shows this application:

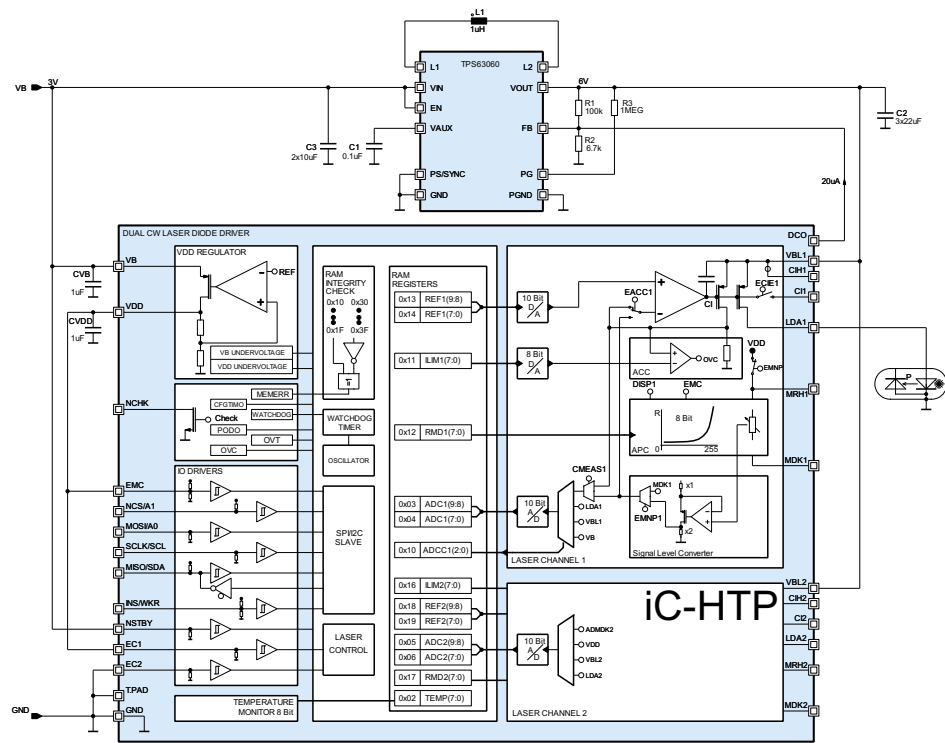


Figure 23: Regulation at voltage greater than power supply

Setting register RDCO to 10 yields $20 \mu A$ and 6 V at Vout.

Extension of system working voltage range
iC-HTP must be supplied from a voltage within the threshold values of 2.8 and 11 V. It is possible to con-

iC-HTP DUAL CW P-TYPE LASER DIODE DRIVER

Rev D2, Page 33/51

control the DC/DC output in a voltage range of 2.5 to 12 V, if the DC/DC converter, controlled by output signal DCO, is included in the system, as shown in Figure 24:

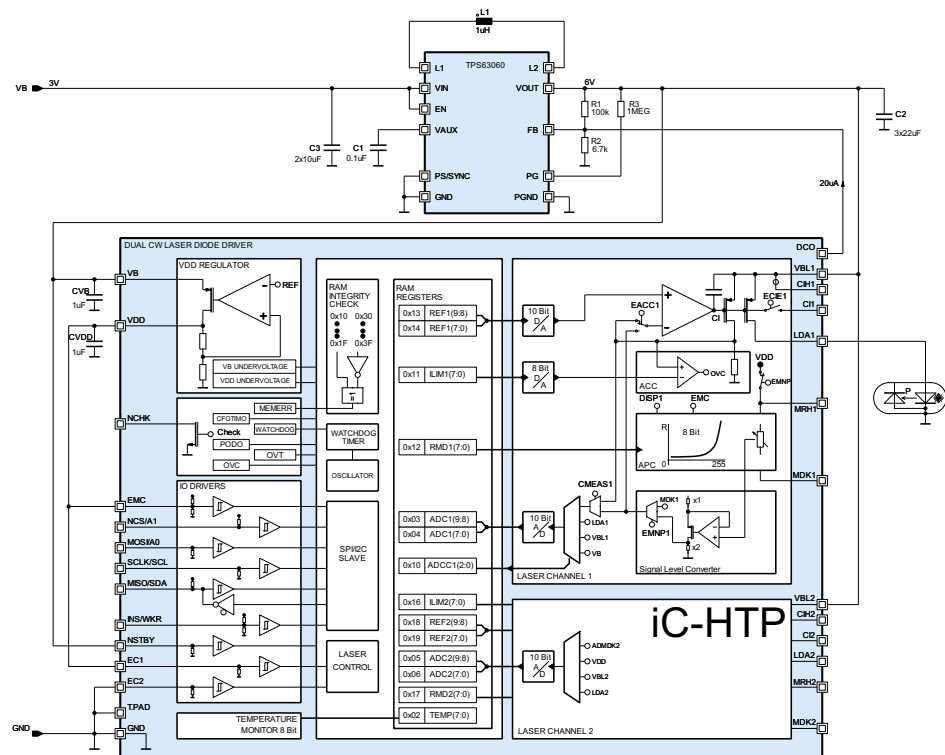


Figure 24: Extension of working voltage range

In Figure 24 both the laser and the iC-HTP are supplied by the DC/DC converter. The register RDCO is set to 23, which forces 48 µA to be output to the voltage divider. A system voltage of 3.3 V is obtained at Vout.

Efficiency enhancement

If iC-HTP and the laser diode are supplied with the same power supply, the efficiency of the driver can be

improved, depending on the supply voltage, the saturation voltage and the laser diodes forward voltage. Power dissipation of the driver can be reduced if LDAX is fed through the DC/DC converter configured to deliver a lower voltage than the power supply as shown in Figure 25.

iC-HTP DUAL CW P-TYPE LASER DIODE DRIVER

Rev D2, Page 34/51

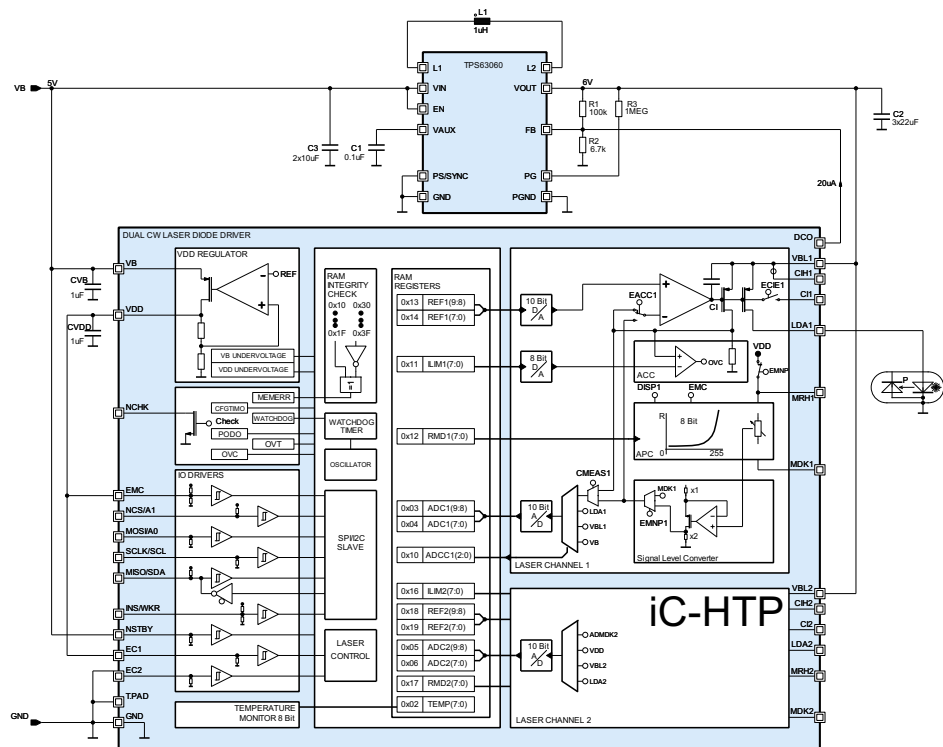


Figure 25: System efficiency enhancement

Register RDCO is set to 23 to provide a laser diode supply voltage of 3.3 V at Vout.

WATCHDOG TIMER

The internal 200 kHz oscillator is monitored by the Watchdog Timer (WDT).

OSCERR		Addr. 0x00; bit 6	R
Code	Function		
0	Oscillator functioning OK		
1	Watchdog timeout, oscillator failure; cleared on read		

Table 79: Oscillator watchdog

The state of OSCERR is signaled at pin NCHK. Setting MOSCERR to 1 masks the oscillator error and OSCERR will not be signaled at NCHK.

MOSCERR		Addr. 0x1D; bit 0	R/W 0
Code	Function		
0	Oscillator error (watchdog) will be signaled at NCHK		
1	Oscillator error (watchdog) will not be signaled at NCHK		

Table 80: Oscillator watchdog error mask

If the oscillator remains longer than the maximum time of tWDT (cf. *Electrical Characteristics No. E03*) without activity, an oscillator error is generated which sets OSCERR error bit to 1. The automatic offset compensation of the laser control requires the oscillator.

It is possible to simulate an error of the oscillator using bit SOSCERR. With OSCERR set to 1 the error will be signaled through NCHK, depending on the state of MOSCERR.

iC-HTP DUAL CW P-TYPE LASER DIODE DRIVER

Rev D2, Page 35/51

SOSCERR		Addr. 0x1D; bit 7	R/W 0
Code	Function		
0	No oscillator error simulated		
1	Oscillator error simulated (watchdog timeout)		

Table 81: Simulate oscillator error

TEMPERATURE MONITOR AND PROTECTION

iC-HTP includes an 8 bit temperature monitor that allows to measure the internal chip temperature going from -40 to 125 °C. The resolution is 1 °C/LSB. The internal temperature can be obtained by reading TEMP register. The TEMP register is a read-only register.

TEMP		Addr. 0x02; bit 7:0	R
Code	Function		
0x00	Minimum temperature		
...			
0xFF	Maximum temperature		

Table 82: Chip temperature

Absolute read values may differ from one chip to another. **An individual initial calibration of the temperature monitor is recommended.** The TEMP register must be read at a known temperature. Using the resolution value of 1 °C/LSB, the internal temperature can be calculated.

The temperature monitor can be used to compensate temperature effects of the laser diode. The MCU can use a laser diode characteristics formula or a look-up table combined with the measured temperature value. The reference voltage can be configured accordingly in order to compensate temperature effects.

iC-HTP is protected against overtemperature. In iC-WK mode, if the internal temperature value exceeds the overtemperature threshold, an OVT error event will be triggered and signaled at pin NCHK. Both laser channels will be disabled. Pin NCHK will keep signaling the error although the internal temperature falls to a safe value below the overtemperature threshold value. If the temperature has exceeded the overtemperature

threshold value, pins EC1 and EC2 have to be pulled lo in order to stop signaling the error. Setting pin ECx back hi will re-enable the corresponding channel.

In MCU mode, if the internal temperature exceeds a safety value, the overtemperature error bit OVT will be set to 1. With OVT = 1, both channels will be disabled and the error event will be signaled at pin NCHK. If the internal temperature falls to a safe value below the overtemperature threshold value, OVT will remain at value 1. Reading the OVT bit resets it and stops signaling this error at pin NCHK. Cycling pin ECx will re-enable the corresponding channel.

The overtemperature threshold value can not be configured.

OVT		Addr. 0x00; bit 3	R
Code	Function		
0	No overtemperature event has occurred since last read		
1	Overtemperature event has occurred. Cleared on read		

Table 83: Overtemperature

In MCU mode it is possible to simulate an overtemperature event setting SOVT to 1. The overtemperature error flag OVT will be set to 1. iC-HTP will remain in error state until SOVT is set back to 0.

SOVT		Addr. 0x1D; bit 4	R/W 0
Code	Function		
0	No overtemperature event is simulated		
1	Overtemperature event simulated		

Table 84: Simulate overtemperature

iC-HTP

DUAL CW P-TYPE LASER DIODE DRIVER

Rev D2, Page 36/51

DIGITAL INTERFACE AND MEMORY INTEGRITY MONITOR

iC-HTP provides a microcontroller slave interface by selection on pin EMC. SPI or I²C are selected by pin INS/WKR.

EMC	Addr. Pin;
lo	iC-WK-mode, digital interfaces disabled
Open	Not allowed, error signaled
hi	MCU mode, interface selected by INS/WKR enabled

Table 85: Enable microcontroller

INS/WKR	Addr. Pin;
lo	SPI interface selected
Open	Not allowed, error signaled
hi	I ² C interface selected

Table 86: Interface selection I²C or SPI

The configuration memory is integrity monitored and **atomic executable** (all at once: changes of the configurations without any direct effects, the changes are executed at once by command) to the functional blocks of iC-HTP.

Integrity monitoring is implemented by a duplication of the configuration registers into a validation page (see description below) where the registers are automatically copied with inverted values. Every register bit is compared with its validation copy and in case of difference, a memory error is generated and both laser channels are switched off.

Atomic appliance is achieved by latching the configuration registers. This permits a full configuration (different registers) to be made prior to applying it to the laser

channels. iC-HTP has two different modes selectable by the MODE(1:0) register (addr. 0x1C).

MODE(1:0)	Addr. 0x1C; bit 1:0	R/W 01
Code	Function	
00	Not allowed	
01	Chip set in operation mode (apply configuration, latch transparent)	
10	Chip set in configuration mode (hold previous configuration)	
11	Not allowed	

Table 87: Configuration and operation mode

In **Configuration Mode** the *configuration memory* (addr. 0x10 to 0x1F) can be written and read back to check a correct communication without changing the present configuration of the iC-HTP. In this mode, the memory integrity check is disabled.

iC-HTP will monitor the time elapsed in configuration mode and automatically switch the laser off, if it exceeds the configuration mode timeout. The time in configuration mode must be less than 40 ms for ensuring that no configuration timeout occurs during configuration (cf. *Electrical Characteristics No. E02*). The timeout can be up to 164 ms.

When writing the configuration is completed, iC-HTP is switched to **Operation Mode** by writing 0b01 into register MODE (addr. 0x1C). The configuration is applied to the iC-HTP and the memory integrity check activated. Configuration registers can only be read (except register MODE(1:0), which is always accessible). Figure 26 shows the interface to the memory structure.

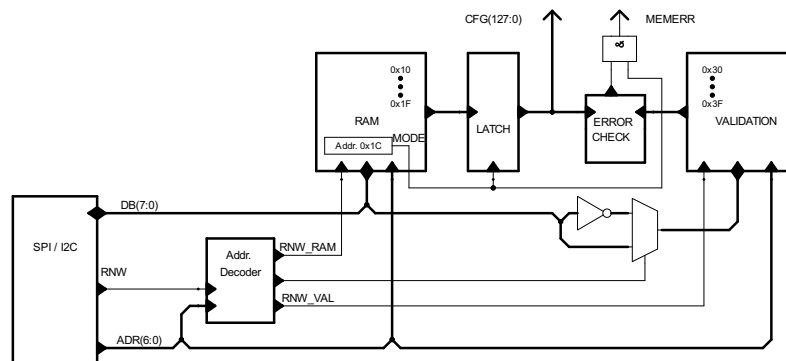


Figure 26: Interface, RAM integrity monitoring and configuration latching

iC-HTP

DUAL CW P-TYPE LASER DIODE DRIVER

Rev D2, Page 37/51

Register map description

The register map consists of 64 addresses subdivided in three different pages:

- Read-only page, addr. 0x00 to 0x0F: iC-HTP status, ADC readouts, temperature sensor readout and chip revision
- Configuration page (integrity monitored), read-write registers, addr. 0x10 to 0x1F
- Validation page, read-write registers, addr. 0x30 to 0x3F

Read-only registers

Read-only registers are sub-divided as well into status registers (addr. 0x00 to 0x01) and measurement registers. Status registers are normally latched to 1 on events and cleared on read (see individual register description). Measurement registers are dual-port and can be accessed simultaneously with the measurements in progress. ADC1 (addr. 0x03 to 0x04) and ADC2 (addr. 0x05 to 0x06) are 10 bit registers split into two 8 bit registers each and must be accessed in block mode (automatic address increment) to ensure data not changing during read.

Configuration page (integrity monitored)

The configuration page (addr. 0x10 to 0x1F) contains the registers that control the driver. Every write operation to any of the registers of this page will be internally duplicated to the correspondent register at the validation page. After the write operation, the correspondent validation register will contain the inverted value of the configuration register.

Validation page

The validation page (addr. 0x30 to 0x3F) can be read or written normally. Only when a write procedure is made to any of the configuration registers, the correspondent validation pair will be written with the inverted value of the configuration register as well.

Both the configuration and validation pages are initialized during power-up. This event is signaled at the STATUS0 register (bit 0, INITRAM). In standby mode (NSTBY = lo) the RAM is not reset if any write command has been executed and therefore, configuration and validation pages keep the stored information and INITRAM remains unset. Entering standby mode after power-up without any write command, the RAM will be initialized again and the INITRAM bit will be set to 1 again. Any VDD power-down event signaled at the STATUS0 register outside the standby mode (NSTBY = hi) requires a RAM content check regardless of the state of the INITRAM bit to ensure data is not corrupted.

Possible start-up sequence

1. iC-HTP starts in operation mode with default configuration. INITRAM, PDOVBLx and PDOVDD error bits must be set in STATUSx, DISC1 (addr. 0x10, bit 3) and DISC2 (addr. 0x15, bit 3) are set to 1.
2. Write MODE(1:0) = 10 register (addr. 0x1C) to enable the configuration mode.
3. Configure the laser channels.
4. Read back to verify a correct data transfer.
5. Set the DISC1, DISC2 bits to 0 on used channels.
6. Read the status registers (addr. 0x00, 0x01, 0x02) to detect possible errors and validate status. If any error exists, read again to ensure its validity.
7. Write MODE(1:0) = 01 register (addr. 0x1C) to apply the configuration and enable the memory integrity check.
8. During operation: monitor the status registers checking for errors. Pin NCHK signals any set status bit if not masked. This pin can be used to trigger a microcontroller interrupt line.

iC-HTP

DUAL CW P-TYPE LASER DIODE DRIVER

Rev D2, Page 38/51

START-UP AND STANDBY

Setting pin NSTBY to lo puts iC-HTP into standby. In standby with VDD disabled the current consumption on VB is reduced to less than 10 μ A (cf. *Electrical Characteristics No. 002*).

After wake-up (rising edge at pin NSTBY), the internal regulated supply VDD is supplied again. The required time TVdd depends on the capacitor connected to pin VDD (cf. *Electrical Characteristics No. 504*).

Once the VDD voltage level is correct, iC-HTP enters an offset compensation procedure regardless of the state of the laser enable pins (EC1, EC2). During this time (Ten), EC1 and EC2 are ignored and laser cannot be switched on (cf. *Electrical Characteristics No. 111*).

The switch-on procedure needs an initial time (Tci) to reach the 80% of the target light power (in APC mode) or laser current (in ACC mode) (cf. *Electrical Characteristics No. 112*) and an additional time (Tcio) to reach the 99% of the value (cf. *Electrical Characteristics No. 113*).

Figure 27 illustrates an startup example for channel 1 in iC-WK mode.

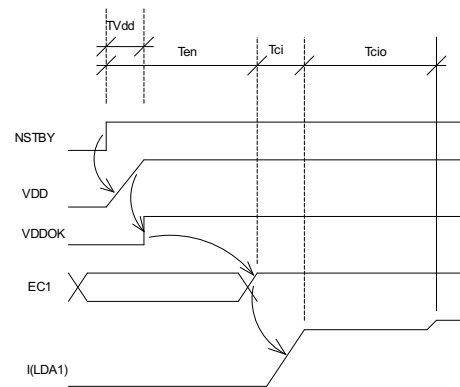


Figure 27: Startup timing diagram

IC-HTP DUAL CW P-TYPE LASER DIODE DRIVER

Rev D2, Page 39/51

REGISTER OVERVIEW

OVERVIEW								
Addr	Bit 7	Bit 6	Bit 5	Bit 4	Bit 3	Bit 2	Bit 1	Bit 0
0x00 R	CFGTIMO	OSCERR	OVC1	OVC2	OVT	MEMERR	PDOVDD	INITRAM
0x01 R	PDOVBL2	LDASAT2	MONC2	MAPC2	PDOVBL1	LDASAT1	MONC1	MAPC1
0x02 R	TEMP(7:0)							
0x03 R							ADC1(9:8)	
0x04 R	ADC1(7:0)							
0x05 R							ADC2(9:8)	
0x06 R	ADC2(7:0)							
0x07							DRDY2	DRDY1
0x08 R	Not implemented							
...	Not implemented							
0x0E R	Not implemented							
0x0F R	CHIPREV(7:0)							
0x10	ADCC1(2:0)			1	DISC1	DISP1	ECIE1	EACC1
0x11	ILIM1(7:0)							
0x12	RMD1(7:0)							
0x13	EPUL1	COMP1(2:0)			RLDAS1(1:0)		REF1(9:8)	
0x14	REF1(7:0)							
0x15	ADCC2(2:0)			1	DISC2	DISP2	ECIE2	EACC2
0x16	ILIM2(7:0)							
0x17	RMD2(7:0)							
0x18	EPUL2	COMP2(2:0)			RLDAS2(1:0)		REF2(9:8)	
0x19	REF2(7:0)							
0x1A	EMNP2	ADFNS2	CMES2	RACC2	EMNP1	ADFNS1	CMES1	RACC1
0x1B		MERGE	RDCO(5:0)					
0x1C	Not implemented						MODE(1:0)	
0x1D	SOSCERR	SOVC2	SOVC1	SOVT	MLDASAT2	MLDASAT1	MMONC	MOSCERR
0x1E	LINLOG2	1	CRNG2(1:0)		LINLOG1	1	CRNG1(1:0)	
0x1F	Reserved register(Factory test). Set to zero							
0x20	Not implemented							
...	Not implemented							
0x30	Validation content for 0x10, inverted							
0x31	Validation content for 0x11, inverted							
...	...							
0x3F	Validation content for 0x1F, inverted							

Table 88: Register layout

iC-HTP

DUAL CW P-TYPE LASER DIODE DRIVER

Rev D2, Page 40/51

STATUS AND PARAMETERS

iC-HTP contains identification, status information, converted data information, and parameters.

The status information represents the accessible state of iC-HTP at this time. Reading status may change the state itself e.g. resetting a read state.

Register	Address	Bits	Default	Description
INITRAM	0x00	0	R/O	RAM initialized.
PDOVDD	0x00	1	R/O	Power-down event at VDD
MEMERR	0x00	2	R/O	RAM memory validation error
OVT	0x00	3	R/O	Overtemperature event
OVC2	0x00	4	R/O	Overcurrent at channel 2
OVC1	0x00	5	R/O	Overcurrent at channel 1
OSCERR	0x00	6	R/O	Oscillator error (watchdog set)
CFGTIMO	0x00	7	R/O	Configuration mode timeout event
MAPC1	0x01	0	R/O	Channel 1 current state
MONC1	0x01	1	R/O	Monitor channel 1 enabled at least once (latched)
LDASAT1	0x01	2	R/O	Channel 1 LDA saturation event
PDOVBL1	0x01	3	R/O	Power down event at VBL1 or power down in any of VBL1 or VBL2 in merge mode
MAPC2	0x01	4	R/O	Channel 2 current state
MONC2	0x01	5	R/O	Monitor channel 2 enabled at least once (latched)
LDASAT2	0x01	6	R/O	Channel 2 LDA saturation event
PDOVBL2	0x01	7	R/O	Power down event at VBL2 or VBL1 not equal to VBL2 in merge mode

Table 89: Status overview

The converted data information represents the signals that have been selected and converted by iC-HTP, its multiplexer and the ADC. Reading a value represents the last converted signal.

Register	Address	Bits	Default	Description
TEMP	0x02	7:0	R/O	Chip temperature measurement
ADC1h	0x03	1:0	R/O	Channel 1 ADC 9:8 readout
ADC1l	0x04	7:0	R/O	Channel 1 ADC 7:0 readout
ADC2h	0x05	1:0	R/O	Channel 2 ADC 9:8 readout
ADC2l	0x06	7:0	R/O	Channel 2 ADC 7:0 readout
DRDY	0x07	1:0	R/O	ADC Data ready

Table 90: Measurement overview

The identification information indicates the chip revision of an iC-HTP.

Register	Address	Bits	Default	Description
CHIPREV	0x0F	7:0	R/O	Chip revision identification

Table 91: Identification

IC-HTP

DUAL CW P-TYPE LASER DIODE DRIVER

Rev D2, Page 41/51

Register	Address	Bits	Default	Description
ADCC1	0x10	7:5	000	Configuration for ADC from channel 1
ADCC2	0x15	7:5	000	Configuration for ADC from channel 2
ADFNS1	0x1A	2	0	MDK force/sense for ADC measurement in channel 1
ADFNS2	0x1A	6	0	MDK force/sense for ADC measurement in channel 2
CMES1	0x1A	1	0	Enable current measurement for ADC in channel 1
CMES2	0x1A	5	0	Enable current measurement for ADC in channel 2
RACC1	0x1A	0	0	Channel 1 ACC resistor mirror factor
RACC2	0x1A	4	0	Channel 2 ACC resistor mirror factor
COMP1	0x13	6:4	011	Channel 1 regulator compensation current
EPUL1	0x13	7	0	Channel 1 pulsed mode
EPUL2	0x18	7	0	Channel 2 pulsed mode
COMP2	0x18	6:4	011	Channel 2 regulator compensation current
CRNG1	0x1E	5:4	00	Channel 1 current range
CRNG2	0x1E	1:0	00	Channel 2 current range
DISC1	0x10	3	1	Software disable for channel 1
DISC2	0x15	3	1	Software disable for channel 2
DISP1	0x10	2	0	Disable PLR for channel 1
DISP2	0x15	2	0	Disable PLR for channel 2
EACC1	0x10	0	0	Enable ACC mode for channel 1
EACC2	0x15	0	0	Enable ACC mode for channel 2
ECIE1	0x10	1	0	Enable external CI capacitor for channel 1
ECIE2	0x15	1	0	Enable external CI capacitor for channel 2
ILIM1	0x11	7:0	0xFF	Current limit at channel 1
ILIM2	0x16	7:0	0xFF	Current limit at channel 2
MERGE	0x1B	6	0	MERGE channels 1 and 2, controlled by channel 1
MLDASAT1	0x1D	2	1	LDASAT1 error mask
MLDASAT2	0x1D	3	1	LDASAT2 error mask
MMONC	0x1D	1	1	MONC error mask
MODE	0x1C	1:0	01	Configuration / operation mode selection
MOSCERR	0x1D	0	0	OSCERR error mask
RDCO	0x1B	5:0	0x02	DC converter set point
REF1	0x13/0x14	9:0	0x000	Voltage reference at channel 1
REF2	0x18/0x19	9:0	0x000	Voltage reference at channel 2
RLDAS1	0x13	3:2	00	Channel 1 LDA saturation detector threshold
RLDAS2	0x18	3:2	00	Channel 2 LDA saturation detector threshold
RMD1	0x12	7:0	0xFF	Resistor at channel 1
RMD2	0x17	7:0	0xFF	Resistor at channel 2
SOSCERR	0x1D	7	0	Oscillator error simulation (watchdog timeout)
SOVC1	0x1D	5	0	Overcurrent event at channel 1 simulation
SOVC2	0x1D	6	0	Overcurrent event at channel 2 simulation
SOVT	0x1D	4	0	Overtemperature event simulation
CRNG1	0x1E	1:0	00	Channel 1 current range
CRNG2	0x1E	5:4	00	Channel 2 current range
EMNP1	0x1A	3	0	Channel 1 laser diode selection
EMNP2	0x1A	7	0	Channel 2 laser diode selection
LINLOG1	0x1E	3	0	Channel 1 linear / logarithmic reference selection
LINLOG2	0x1E	7	0	Channel 2 linear / logarithmic reference selection
Reserved	0x1F	7:0	0x00	Reserved
Reserved	0x1A	7	0	Reserved
Reserved	0x1A	3	0	Reserved
Reserved1	0x15	4	1	Reserved
Reserved1	0x10	4	1	Reserved

Table 92: Parameter overview

iC-HTP DUAL CW P-TYPE LASER DIODE DRIVER

Rev D2, Page 42/51

Status

INITRAM		Addr. 0x00; bit 0	R
Code	Function		
0	RAM not initialized since last read		
1	RAM initialized. Cleared on read		

Table 93: RAM initialization

PDOVDD		Addr. 0x00; bit 1	R
Code	Function		
0	VDD power down not occurred since last read		
1	VDD power down event has occurred. Cleared on read		

Table 94: VDD power down

MEMERR		Addr. 0x00; bit 2	R
Code	Function		
0	RAM has not been changed since last validation		
1	RAM has changed and has not been validated		

Table 95: Memory validation

OVT		Addr. 0x00; bit 3	R
Code	Function		
0	No overtemperature event has occurred since last read		
1	Overtemperature event has occurred. Cleared on read		

Table 96: Overtemperature

OVC2		Addr. 0x00; bit 4	R
Code	Function		
0	No overcurrent event at channel 2 has occurred since last read		
1	Overcurrent event at channel 2 has occurred. Cleared on read		

Table 97: Overcurrent channel 2

OVC1		Addr. 0x00; bit 5	R
Code	Function		
0	No overcurrent event at channel 1 has occurred since last read		
1	Overcurrent event at channel 1 has occurred. Cleared on read		

Table 98: Overcurrent channel 1

OSCERR		Addr. 0x00; bit 6	R
Code	Function		
0	Oscillator functioning OK		
1	Watchdog timeout, oscillator failure; cleared on read		

Table 99: Oscillator watchdog

CFGTIMO		Addr. 0x00; bit 7	R
Code	Function		
0	iC-HTP not in <i>Configuration Mode</i> or <i>Timeout</i> did not happen till now		
1	iC-HTP in <i>Configuration Mode</i> and <i>Timeout</i> happened. Laser switched off		

Table 100: Configuration timeout

MAPC1		Addr. 0x01; bit 0	R
Code	Function		
0	EC1 is 0 at the precise reading moment		
1	EC1 is 1 at the precise reading moment		

Table 101: EC1 pin state

MONC1		Addr. 0x01; bit 1	R
Code	Function		
0	EC1 has not been set to 1 since last read		
1	EC1 has been set to 1 at least once. Cleared on read		

Table 102: Monitor channel 1

LDASAT1		Addr. 0x01; bit 2	R
Code	Function		
0	Channel 1 LDA saturation voltage not reached		
1	Channel 1 LDA saturation voltage reached at least once, cleared on read		

Table 103: LDA1 saturation

PDOVBL1		Addr. 0x01; bit 3	R
Code	Function		
0	VBL1 power down not occurred since last read. If MERGE = 1, VBL1 and VBL2 had no power down since last read		
1	VBL1 power down event has occurred. If MERGE = 1, VBL1 or VBL2 had a power down event. Cleared on read		

Table 104: VBL1 power down

MAPC2		Addr. 0x01; bit 4	R
Code	Function		
0	EC2 is 0 at the precise reading moment		
1	EC2 is 1 at the precise reading moment		

Table 105: EC2 pin state

iC-HTP DUAL CW P-TYPE LASER DIODE DRIVER

Rev D2, Page 43/51

MONC2		Addr. 0x01; bit 5	R
Code	Function		
0	EC2 has not been set to 1 since last read		
1	EC2 has been set to 1 at least once. Cleared on read		

Table 106: Monitor channel 2

LDASAT2		Addr. 0x01; bit 6	R
Code	Function		
0	Channel 2 LDA saturation voltage not reached.		
1	Channel 2 LDA saturation voltage reached at least once. Cleared on read		

Table 107: LDA2 saturation

PDOVBL2		Addr. 0x01; bit 7	R
Code	Function		
0	VBL2 power down not occurred since last read. If MERGE = 1, VBL1 voltage level equals VBL2 voltage level		
1	VBL2 power down event has occurred. If MERGE = 1, VBL1 voltage level not equals VBL2 voltage level. Cleared on read		

Table 108: VBL2 power down

TEMP		Addr. 0x02; bit 7:0	R
Code	Function		
0x00	Minimum temperature		
0xFF	Maximum temperature		

Table 109: Chip temperature

ADC1		Addr. 0x03/04; bit 9:0	R
Code	Function		
0x000	ADC minimum value		
0x3FF	ADC maximum value		

Table 110: ADC channel 1

ADC2		Addr. 0x05/06; bit 9:0	R
Code	Function		
0x000	ADC minimum value		
0x3FF	ADC maximum value		

Table 111: ADC channel 2

DRDY1		Addr. 0x07; bit bit 0	R
DRDY2		Addr. 0x07; bit bit 1	R
Code	Function		
0	No new ADC data since last read		
1	New ADC data available		

Table 112: ADC data ready

Device identification

CHIPREV		Addr. 0x0F; bit 7:0	R
Code	Identification		
0x00	Reserved		
... 0x07			
0x08	Initial version iC-HTP		
0x09	iC-HTP rev Z		
0x0A	iC-HTP rev Z1		
0x0B	iC-HTP rev Y		
0x0C	iC-HTP rev Y1		
0x0D	iC-HTP rev X		
0x0E	iC-HTP rev X1		
0x0F	iC-HTP rev W		
0x10	Reserved		
... 0xFF			

Table 113: Device identification

Channel 1 configuration registers

EACC1		Addr. 0x10; bit 0	R/W 0
Code	Function		
0	APC mode enabled for channel 1 (light power regulation)		
1	ACC mode enabled for channel 1 (laser current regulation)		

Table 114: Enable APC/ACC channel 1

ECIE1		Addr. 0x10; bit 1	R/W 0
Code	Function		
0	External CI capacitor for channel 1 disconnected		
1	External CI capacitor for channel 1 connected		

Table 115: Enable external CI capacitor channel 1

DISP1		Addr. 0x10; bit 2	R/W 0
Code	Function		
0	PLR enabled for channel 1		
1	PLR disabled for channel 1		

Table 116: Disable PLR channel 1

DISC1		Addr. 0x10; bit 3	R/W 1
Code	Function		
0	Channel 1 can be enabled by pin EC1		
1	Channel 1 cannot be enabled by pin EC1		

Table 117: Disable channel 1

IC-HTP DUAL CW P-TYPE LASER DIODE DRIVER

Rev D2, Page 44/51

ADCC1(2:0)		Addr. 0x10; bit 7:5	R/W 000
Code	Function		
0xx	Channel 1 ADC disabled		
100	Channel 1 ADC sourced by V(MDK1), ADFNS1 = 1, CMES1 = 0		
100	Channel 1 ADC sourced by V(PLR1), ADFNS1 = 0, CMES1 = 0		
100	Channel 1 ADC sourced by ACC current sensor, CMES1 = 1		
101	Channel 1 ADC sourced by V(VB)		
110	Channel 1 ADC sourced by V(VBL1)		
111	Channel 1 ADC sourced by V(LDA1)		

Table 118: ADC channel 1 source selection

ILIM1		Addr. 0x11; bit 7:0	R/W 0xFF
Code	Function		
0x00	Channel 1 overcurrent threshold set to the minimum current in APC mode (EACC1 = 0) or overcurrent protection disabled in ACC mode (EACC1 = 1)		
...	Channel 1 overcurrent threshold set to $I_{lim} = (\Delta I / (LDA), max \cdot n \cdot k)$, n from 0 to 255		
0xFF	Channel 1 overcurrent threshold set to the maximum current		

Table 119: Overcurrent threshold configuration channel 1

RMD1		Addr. 0x12; bit 7:0	R/W 0xFF
Code	Function		
0x00	PLR1 resistor set to the minimum resistance		
...	PLR1 resistor set to $R_{md} = R_{md0} (1 + \frac{\Delta R_{md}(\%)}{100})^{n+1}$, n from 0 to 255		
0xFF	PLR1 resistor set to the maximum resistance		

Table 120: MDK resistor channel 1

COMP1		Addr. 0x13; bit 6:4	R/W 011
Code	Function		
000	Minimum compensation current for the channel 1 regulator, slower response		
...			
111	Maximum compensation current for the channel 1 regulator, faster response		

Table 121: Current compensation channel 1

RLDAS1		Addr. 0x13; bit 3:2	R/W 00
Code	Function		
00	V(LDA1) > VBL1-0.5 V sets the LDASAT1 alarm bit		
01	V(LDA1) > VBL1-0.8 V sets the LDASAT1 alarm bit		
10	V(LDA1) > VBL1-1.0 V sets the LDASAT1 alarm bit		
11	V(LDA1) > VBL1-1.2 V sets the LDASAT1 alarm bit		

Table 122: LDA saturation threshold selection channel 1

REF1		Addr. 0x13/14; bit 9:0	R/W 0x000
Code	Function		
0x000	Channel 1 regulator reference voltage set to minimum voltage		
...	Channel 1 regulator reference voltage set to $V_{ref} = V_{ref0} (1 + \frac{\Delta V_{ref}(\%)}{100})^{n+1}$, n from 0 to 1023		
0x3FF	Channel 1 regulator reference voltage set to maximum voltage		

Table 123: Regulator voltage reference channel 1

RACC1		Addr. 0x1A; bit 0	R/W 0
Code	Function		
0	Current range high for channel 1, Current sensor resistor (Rsensex) set to 2 kΩ		
1	Current range low for channel 1, Current sensor resistor (Rsensex) set to 16 kΩ		

Table 124: Current range configuration channel 1

ADFN1		Addr. 0x1A; bit 2	R/W 0
Code	Function		
0	ADC measurement PLR1 after x2 level shifting (sense)		
1	ADC measurement MDK1 pad (force)		

Table 125: ADC channel 1 force/sense selection

CMES1		Addr. 0x1A; bit 1	R/W 0
Code	Function		
0	ADC current measurement disabled for channel 1		
1	ADC current measurement enabled for channel 1		

Table 126: ADC current measurement for channel 1 selection

CRNG1(1:0)		Addr. 0x1E; bit 1:0	R/W 00
Code	Function		
00	Output current range from 0 to 750 mA, RACC1 = 0, k factor set to 750/750 = 1		
01	Output current range from 0 to 100 mA, RACC1 = 0, k factor set to 100/750 = 0.13		
10	Output current range from 0 to 25 mA, RACC1 = 0, k factor set to 25/750 = 0.03		
11	Output current range from 0 to 9 mA, RACC1 = 0, k factor set to 9/750 = 0.012		
00	Output current range from 0 to 90 mA, RACC1 = 1, k factor set to 750/750 = 1		
01	Output current range from 0 to 12 mA, RACC1 = 1, k factor set to 100/750 = 0.13		
10	Output current range from 0 to 3 mA, RACC1 = 1, k factor set to 25/750 = 0.03		
11	Output current range from 0 to 1.1 mA, RACC1 = 1, k factor set to 9/750 = 0.012		

Table 127: Current range channel 1

IC-HTP DUAL CW P-TYPE LASER DIODE DRIVER

Rev D2, Page 45/51

EMNP1		Addr. 0x1A; bit bit 3	R/W 0
EMNP2		Addr. 0x1A; bit bit 7	R/W 0
Code	Function		
0	P-Laser Type		
1	M-Laser Type		

Table 128: Laser Typ selection

EPUL1		Addr. 0x13; bit bit 7	R/W 0
EPUL2		Addr. 0x18; bit bit 7	R/W 0
Code	Function		
0	Pulsed mode disabled		
1	Pulsed Mode enabled		

Table 129: Enable Pulse Mode

LINLOG1		Addr. 0x1E; bit bit 3	R/W 0
LINLOG2		Addr. 0x1E; bit bit 7	R/W 0
Code	Function		
0	Logarithmic 10 bit DAC selected		
1	Linear 10 bit DAC selected		

Table 130: Linear or Logarithmic reference selection

Channel 2 configuration registers

EACC2		Addr. 0x15; bit 0	R/W 0
Code	Function		
0	APC mode enabled for channel 2 (light power regulation)		
1	ACC mode enabled for channel 2 (laser current regulation)		

Table 131: Enable APC/ACC channel 2

ECIE2		Addr. 0x15; bit 1	R/W 0
Code	Function		
0	External CI capacitor for channel 2 disconnected		
1	External CI capacitor for channel 2 connected		

Table 132: Enable external CI capacitor channel 2

DISP2		Addr. 0x15; bit 2	R/W 0
Code	Function		
0	PLR enabled for channel 2		
1	PLR disabled for channel 2		

Table 133: Disable PLR channel 2

DISC2		Addr. 0x15; bit 3	R/W 1
Code	Function		
0	Channel 2 can be enabled by pin EC2		
1	Channel 2 cannot be enabled by pin EC2		

Table 134: Disable channel 2

ADCC2(2:0)		Addr. 0x15; bit 7:5	R/W 000
Code	Function		
0xx	Channel 2 ADC disabled		
100	Channel 2 ADC sourced by V(MDK2), ADFNS2 = 1, CMES2 = 0		
100	Channel 2 ADC sourced by V(PLR2), ADFNS2 = 0, CMES2 = 0		
100	Channel 2 ADC sourced by ACC current sensor, CMES2 = 1		
101	Channel 2 ADC sourced by V(VDD)		
110	Channel 2 ADC sourced by V(VBL2)		
111	Channel 2 ADC sourced by V(LDA2)		

Table 135: ADC channel 2 source selection

ILIM2		Addr. 0x16; bit 7:0	R/W 0xFF
Code	Function		
0x00	Channel 2 overcurrent threshold set to the minimum current in APC mode (EACC2 = 0) or overcurrent protection disabled in ACC mode (EACC2 = 1)		
...	Channel 2 overcurrent threshold set to $I_{lim} = (\Delta I(LDA), max \cdot n \cdot k)$, n from 0 to 255		
0xFF	Channel 2 overcurrent threshold set to the maximum current		

Table 136: Overcurrent threshold configuration channel 2

RMD2		Addr. 0x17; bit 7:0	R/W 0xFF
Code	Function		
0x00	PLR2 resistor set to the minimum resistance		
...	PLR2 resistor set to $R_{md} = R_{md0}(1 + \frac{\Delta R_{md}(\%)}{100})^{n+1}$, n from 0 to 255		
0xFF	PLR2 resistor set to the maximum resistance		

Table 137: MDK resistor channel 2

COMP2		Addr. 0x18; bit 6:4	R/W 011
Code	Function		
000	Minimum compensation current for the channel 2 regulator, slower response		
...			
111	Maximum compensation current for the channel 2 regulator, faster response		

Table 138: Current compensation channel 2

RLDAS2		Addr. 0x18; bit 3:2	R/W 00
Code	Function		
00	V(LDA2) > VBL2-0.5 V sets the LDASAT2 alarm bit		
01	V(LDA2) > VBL2-0.8 V sets the LDASAT2 alarm bit		
10	V(LDA2) > VBL2-1.0 V sets the LDASAT2 alarm bit		
11	V(LDA2) > VBL2-1.2 V sets the LDASAT2 alarm bit		

Table 139: LDA saturation threshold selection channel 2

iC-HTP DUAL CW P-TYPE LASER DIODE DRIVER

Rev D2, Page 46/51

REF2		Addr. 0x18/19; bit 9:0	R/W 0x000
Code	Function		
0x000	Channel 2 regulator reference voltage set to minimum voltage		
...	Channel 2 regulator reference voltage set to $V_{ref} = V_{ref0}(1 + \frac{\Delta V_{ref}(\%)}{100})^{n+1}$, n from 0 to 1023		
0x3FF	Channel 2 regulator reference voltage set to maximum voltage		

Table 140: Regulator voltage reference channel 2

RACC2		Addr. 0x1A; bit 4	R/W 0
Code	Function		
0	Current range high for channel 2, Current sensor resistor (Rsensex) set to 2 kΩ		
1	Current range low for channel 2, Current sensor resistor (Rsensex) set to 16 kΩ		

Table 141: Current range configuration channel 2

ADFS2		Addr. 0x1A; bit 6	R/W 0
Code	Function		
0	ADC measurement PLR2 after x2 level shifting (sense)		
1	ADC measurement MDK2 pad (force)		

Table 142: ADC channel 2 force/sense selection

CMES2		Addr. 0x1A; bit 5	R/W 0
Code	Function		
0	ADC current measurement disabled for channel 2		
1	ADC current measurement enabled for channel 2		

Table 143: ADC current measurement for channel 2 selection

CRNG2(1:0)		Addr. 0x1E; bit 5:4	R/W 00
Code	Function		
00	Output current range from 0 to 750 mA, RACC2 = 0, k factor set to 750/750 = 1		
01	Output current range from 0 to 100 mA, RACC2 = 0, k factor set to 100/750 = 0.13		
10	Output current range from 0 to 25 mA, RACC2 = 0, k factor set to 25/750 = 0.03		
11	Output current range from 0 to 9 mA, RACC2 = 0, k factor set to 9/750 = 0.012		
00	Output current range from 0 to 90 mA, RACC2 = 1, k factor set to 750/750 = 1		
01	Output current range from 0 to 12 mA, RACC2 = 1, k factor set to 100/750 = 0.13		
10	Output current range from 0 to 3 mA, RACC2 = 1, k factor set to 25/750 = 0.03		
11	Output current range from 0 to 1.1 mA, RACC2 = 1, k factor set to 9/750 = 0.012		

Table 144: Current range channel 2

EMNP1		Addr. 0x1A; bit bit 3	R/W 0
EMNP2		Addr. 0x1A; bit bit 7	R/W 0
Code	Function		
0	P-Laser Type		
1	M-Laser Type		

Table 145: Laser Typ selection

EPUL1		Addr. 0x13; bit bit 7	R/W 0
EPUL2		Addr. 0x18; bit bit 7	R/W 0
Code	Function		
0	Pulsed mode disabled		
1	Pulsed Mode enabled		

Table 146: Enable Pulse Mode

LINLOG1		Addr. 0x1E; bit bit 3	R/W 0
LINLOG2		Addr. 0x1E; bit bit 7	R/W 0
Code	Function		
0	Logarithmic 10 bit DAC selected		
1	Linear 10 bit DAC selected		

Table 147: Linear or Logarithmic reference selection

General configuration registers

RDCO		Addr. 0x1B; bit 5:0	R/W 0x02
Code	Function		
0x00	No current		
...			
0x3F	Typ. 130 μA (cf. <i>Electrical Characteristics No. D01</i>)		

Table 148: Digital current output register

MERGE		Addr. 0x1B; bit 6	R/W 0
Code	Function		
0	Channel 1 and 2 operate independently		
1	Power transistor from channel 2 usable in parallel with channel 1, regulation made by channel 1		

Table 149: Channel combination

MODE(1:0)		Addr. 0x1C; bit 1:0	R/W 01
Code	Function		
00	Not allowed		
01	Chip set in operation mode (apply configuration, latch transparent)		
10	Chip set in configuration mode (hold previous configuration)		
11	Not allowed		

Table 150: Configuration and operation mode

iC-HTP DUAL CW P-TYPE LASER DIODE DRIVER

Rev D2, Page 47/51

MOSCERR		Addr. 0x1D; bit 0	R/W 0
Code	Function		
0	Oscillator error (watchdog) will be signaled at NCHK		
1	Oscillator error (watchdog) will not be signaled at NCHK		

Table 151: Oscillator watchdog error mask

MMONC		Addr. 0x1D; bit 1	R/W 1
Code	Function		
0	MONC1 and MONC2 event will be signaled at NCHK		
1	MONC1 and MONC2 event will not be signaled at NCHK		

Table 152: Monitor channel 1 and 2 event mask

MLDASAT1		Addr. 0x1D; bit 2	R/W 1
Code	Function		
0	LDASAT1 event will be signaled at NCHK		
1	LDASAT1 event will not be signaled at NCHK		

Table 153: LDA saturation error mask channel 1

MLDASAT2		Addr. 0x1D; bit 3	R/W 1
Code	Function		
0	LDASAT2 event will be signaled at NCHK		
1	LDASAT2 event will not be signaled at NCHK		

Table 154: LDA saturation error mask channel 2

SOVT		Addr. 0x1D; bit 4	R/W 0
Code	Function		
0	No overtemperature event is simulated		
1	Overtemperature event simulated		

Table 155: Simulate overtemperature

SOVC1		Addr. 0x1D; bit 5	R/W 0
Code	Function		
0	No Overcurrent event at channel 1 is simulated		
1	Overcurrent event at channel 1 simulated		

Table 156: Simulate overcurrent channel 1

SOVC2		Addr. 0x1D; bit 6	R/W 0
Code	Function		
0	No overcurrent event at channel 2 is simulated		
1	Overcurrent event at channel 2 simulated		

Table 157: Simulate overcurrent channel 2

SOSCERR		Addr. 0x1D; bit 7	R/W 0
Code	Function		
0	No oscillator error simulated		
1	Oscillator error simulated (watchdog timeout)		

Table 158: Simulate oscillator error

iC-HTP DUAL CW P-TYPE LASER DIODE DRIVER

Rev D2, Page 48/51

DESIGN REVIEW: Notes On Chip Functions

iC-HTP Z, Z1		
No.	Function, Parameter/Code	Description and Application Notes
1	Power-up	Supplying VBL1 or VBL2 before VB is over the power-up level is not permitted in iC-HTP Z1 since undesired laser spikes might be caused.
2	CHIPREV	For iC-HTP chip releases see Table 113.

Table 159: Notes on chip functions regarding iC-HTP chip release Z and Z1

iC-HTP Y		
No.	Function, Parameter/Code	Description and Application Notes
1	Power-up	Sporadically the register thermometer will not be updated with the temperature
2	LDASAT	Spec 102 Saturation detection threshold Conditions: RLDASDx = 00, VBL = 11 V Value: 0.2 to 1 mV
3	LDASAT	Spec 102 Saturation detection threshold Conditions: RLDASDx = 01, VBL = 11 V Value: up to 1.2 V
4	LDASAT	Spec 102 Saturation detection threshold Conditions: RLDASDx = 10, VBL = 11 V Value: up to 1.3 V
5	IVB	Spec 003 Power Supply Conditions: VBL = 11 V, High Temperature. Value: up to 5.2 mA
6	CHIPREV	For iC-HTP chip releases see Table 113.

Table 160: Notes on chip functions regarding iC-HTP chip release Y

iC-HTP X1		
No.	Function, Parameter/Code	Description and Application Notes
1	DRDY	Data Ready Status Register for A/D Synchronisation. More information on page 29
2	LINLOG	Logarithmic DA converter can be set as linear one. More information on page 28
3	EPUL	Puls and Burst mode. More information on page 21
4	EMNP	Possibility of driving M-Typ Laser. More information on page 10
5	EOCx	Not Supported
6	EXTTx	Not Supported
7	WK Mode	MRH has to be connected to VDD
8	NSTBY	Vthlo, spec point 602 with VB = 2.8 V may be down to 0.45 V
9	CHIPREV	For iC-HTP chip releases see Table 113.

Table 161: Notes on chip functions regarding iC-HTP chip release X1

iC-HTP W		
No.	Function, Parameter/Code	Description and Application Notes
1	CHIPREV	For iC-HTP chip releases see Table 113.

Table 162: Notes on chip functions regarding iC-HTP chip release W

iC-HTP DUAL CW P-TYPE LASER DIODE DRIVER

Rev D2, Page 49/51

REVISION HISTORY

Rel.	Rel. Date*	Chapter	Modification	Page
A1	2015-06-19		Initial release	all

Rel.	Rel. Date*	Chapter	Modification	Page
B1	2017-03-20	ELECTRICAL CHARACTERISTICS	Item 4 + 5: Turn-off threshold updated	6
		ELECTRICAL CHARACTERISTICS	Item 110: V(MDK) updated	6
		ELECTRICAL CHARACTERISTICS	Item 114: I _{dc} (LDA) typical values on LDAx ACC mode current updated	7
		ELECTRICAL CHARACTERISTICS	Item 202: TK added	7
		MICROCONTROLLER MODE	Figure 10 added: NCHK behavior in MCU mode	21
		SERIAL COMMUNICATION INTERFACES	Figure 14: I2C timing updated	25
		10 BIT LINEAR A/D CONVERTER	CRNGx and Mirror factor MFACTx added	28
		REGISTER OVERVIEW	CHIPREV table updated	41
		PARAMETERS	ILIMx = 0x00 disables OVC protection in ACC mode added	43, 45
		PARAMETERS	CMESx added	43 ... 46
		PARAMETERS	PDOVBL1 and PDOVB2 in MERGE mode description updated	45
		PARTICULAR REQUIREMENTS: iC-HTP Z1	Special requirements for HTP_Z1 added: "Supplying VBL1 or VBL2 before VB is over the power-up level is not permitted in iC-HTP_Z1 since undesired laser spikes could be caused."	50

Rel.	Rel. Date*	Chapter	Modification	Page
C1	2018-12-04	ELECTRICAL CHARACTERISTICS	Item 002: Conditions / limit updated	6
		ELECTRICAL CHARACTERISTICS	Item 004, 005: Min. limit updated	6
		ELECTRICAL CHARACTERISTICS	Item 108, 110 limits updated	6
		ELECTRICAL CHARACTERISTICS	Item 116 Min and max step defined (Logarithmic). New limit items.	7
		ELECTRICAL CHARACTERISTICS	Item 3xx conditions with LINLOG updated	7
		ELECTRICAL CHARACTERISTICS	Item 605 limit updated	8
		ELECTRICAL CHARACTERISTICS	Item 702 conditions with DRDY updated	8
		ELECTRICAL CHARACTERISTICS	Item 8xx added for pulse mode	8
		ELECTRICAL CHARACTERISTICS	Item B02 limit updated	8
		LASER DIODE/LED TYPES AND OPERATION MODES	Description of Register EPNN for selection of M-Type laser	10
		PULSED MODE	Description of Pulsed Mode added	21
		10 BIT LINEAR A/D CONVERTER	Synchronisation procedure described. Register description RDDY added	29
		10 BIT LOGARITHMIC D/A CONVERTER	LINLOG register description added. (Linear Reference)	28
		REGISTER OVERVIEW	EPUL1, EPUL2, LINLOG1, LINLOG2, EPNN1, EPNN2 new in register map	39
		iC-WK MODE	Figures Updated. MRH to VDD	

iC-HTP DUAL CW P-TYPE LASER DIODE DRIVER

Rev D2, Page 50/51

Rel.	Rel. Date [‡]	Chapter	Modification	Page
D1	2020-07-10	ELECTRICAL CHARACTERISTICS	Item 001: VBLx added	6
		ELECTRICAL CHARACTERISTICS	Item 002 updated	6
		ELECTRICAL CHARACTERISTICS	Item 011 deleted	6
		ELECTRICAL CHARACTERISTICS	Item 101: conditions updated	6
		ELECTRICAL CHARACTERISTICS	Item 105 updated	6
		ELECTRICAL CHARACTERISTICS	Item 106, 107: conditions updated	6
		ELECTRICAL CHARACTERISTICS	Item 109 updated	6
		ELECTRICAL CHARACTERISTICS	Item 111 updated	7
		ELECTRICAL CHARACTERISTICS	Item 114: conditions updated	7
		ELECTRICAL CHARACTERISTICS	Item 116, 205 updated	7
		ELECTRICAL CHARACTERISTICS	Item 501: conditions updated	7
		ELECTRICAL CHARACTERISTICS	Item 602 updated	7
		ELECTRICAL CHARACTERISTICS	Item C03 updated	8
		ELECTRICAL CHARACTERISTICS	Item D01, D02, D03: conditions updated	9
		ELECTRICAL CHARACTERISTICS	Item E03 updated	9
		MICROCONTROLLER MODE	Minor corrections and additions	13, 18, 29
		PULSED MODE	Minor corrections and additions	21
		COMBINING BOTH CHANNELS	Minor corrections and additions	22-24
		10 BIT LOGARITHMIC D/A CONVERTER	Minor corrections and additions	28
		DESIGN REVIEW: Notes On Chip Functions	Updated	48

Rel.	Rel. Date [‡]	Chapter	Modification	Page
D2	2021-01-11	LASER DIODE/LED TYPES AND OPERATION MODES	Figure 3 updated	10
		10 BIT LINEAR A/D CONVERTER	Hints on ADC readout added	30
		STATUS AND PARAMETERS	Table 113: Chip revision W added	43

iC-Haus expressly reserves the right to change its products, specifications and related supplements (together the Documents). A Datasheet Update Notification (DUN) gives details as to any amendments and additions made to the relevant Documents on our internet website www.ichaus.com/DUN and is automatically generated and shall be sent to registered users by email.

Copying – even as an excerpt – is only permitted with iC-Haus' approval in writing and precise reference to source.

The data and predicted functionality is intended solely for the purpose of product description and shall represent the usual quality and behaviour of the product. In case the Documents contain obvious mistakes e.g. in writing or calculation, iC-Haus reserves the right to correct the Documents and no liability arises insofar as the Documents were from a third party view obviously not reliable. There shall be no claims based on defects as to quality and behaviour in cases of insignificant deviations from the Documents or in case of only minor impairment of usability.

No representations or warranties, either expressed or implied, of merchantability, fitness for a particular purpose or of any other nature are made hereunder with respect to information/specification resp. Documents or the products to which information refers and no guarantee with respect to compliance to the intended use is given. In particular, this also applies to the stated possible applications or areas of applications of the product.

iC-Haus products are not designed for and must not be used in connection with any applications where the failure of such products would reasonably be expected to result in significant personal injury or death (*Safety-Critical Applications*) without iC-Haus' specific written consent. Safety-Critical Applications include, without limitation, life support devices and systems. iC-Haus products are not designed nor intended for use in military or aerospace applications or environments or in automotive applications unless specifically designated for such use by iC-Haus.

iC-Haus conveys no patent, copyright, mask work right or other trade mark right to this product. iC-Haus assumes no liability for any patent and/or other trade mark rights of a third party resulting from processing or handling of the product and/or any other use of the product.

Software and its documentation is provided by iC-Haus GmbH or contributors "AS IS" and is subject to the ZVEI General Conditions for the Supply of Products and Services with iC-Haus amendments and the ZVEI Software clause with iC-Haus amendments (www.ichaus.com/EULA).

[‡] Release Date format: YYYY-MM-DD

iC-HTP
DUAL CW P-TYPE LASER DIODE DRIVER

Rev D2, Page 51/51

ORDERING INFORMATION

Type	Package	Order Designation
iC-HTP	QFN28 5 mm x 5 mm	iC-HTP QFN28-5x5
Evaluation Board	100 mm x 80 mm eval board	iC-HTP EVAL HTP1D

Please send your purchase orders to our order handling team.

For technical support, information about prices and terms of delivery please contact us.