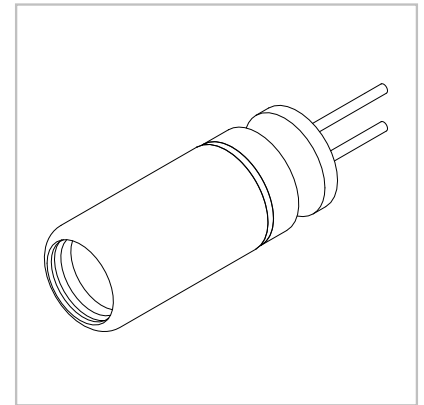


## Laser Module LC-LMD-635-07

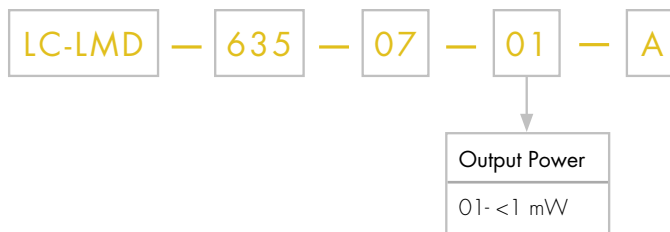
Ø 3.3 mm, 635 nm Laser Module  
P<sub>o</sub>: < 1mW

### Features

1. APC (auto power control) IC inside
2. Low current consumption of the APC circuit
3. Much smaller LD module
4. Surge current protection
5. High quality glass lens for output beam



### Part No. Indications



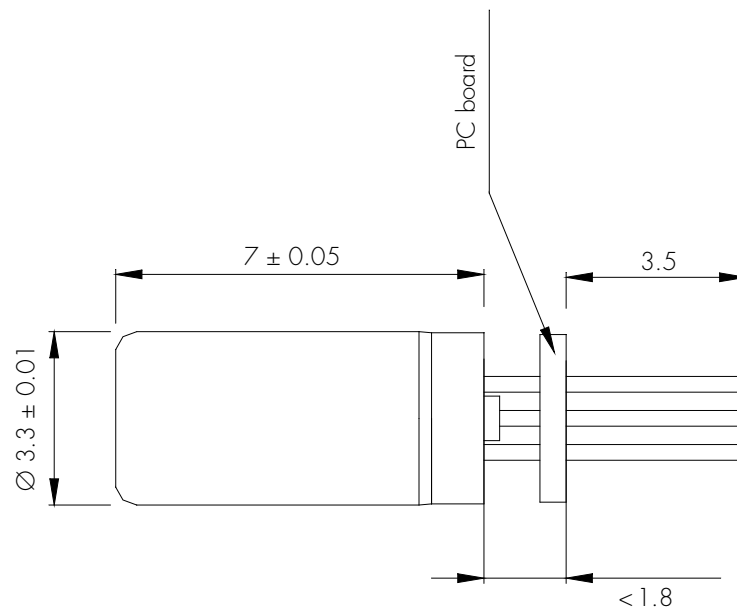
### Absolute Maximum Ratings

Item	Symbol	Rating	Unit
Power supply voltage	$V_{CC}$	3.3	V
Laser module optical output power	$P_o$	< 1	mW
Operation temperature	$T_{opr}$	0 ~ 40	°C
Storage temperature	$T_{stg}$	0 ~ 80	°C

### Electrical and Optical Characteristics ( $T_C = 25\text{ }^\circ\text{C}$ )

Item	Symbol	Min.	Typ.	Max	Unit	Condition
Wavelength	$\lambda$	630	635	640	nm	$P_o = 0.9\text{ mW}$
Operation current	$I_{op}$	-	-	33	mA	$P_o = 0.9\text{ mW}$ $V_{cc} = 3\text{ V}$
Output power	$P_{out}$	0.5		0.9		$V_{cc} = 3\text{ V}$
Operation voltage	$V_{op}$	2.5	-	3.3	Volt	
laser beam spot size at 5 m						< 12 mm
Divergence angle						2.0 mrad

### Outline Dimensions (Units: mm)



### Pin Assignment

- Pin 1:  $V_{cc}$
- Pin 2: GND
- Pin 3: NC  
(No external connection)

