

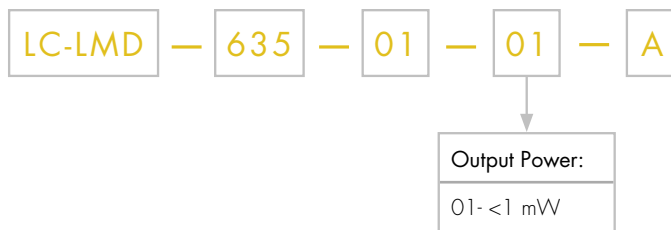
Laser Module LC-LMD-635-01

Ø 4 mm, 635 nm Laser Module

Features

1. APC (auto power control) IC inside
2. Low current consumption of the APC circuit
3. Much smaller LD module
4. Surge current protection
5. High quality lens for output beam

Part No. Indications



Absolute Maximum Ratings

Item	Symbol	Rating	Unit
Power supply voltage	V_{CC}	3.3	V
Laser module optical output power	P_o	< 1	mW
Operation temperature	T_{opr}	0 ~ 40	°C
Storage temperature	T_{stg}	0 ~ 80	°C

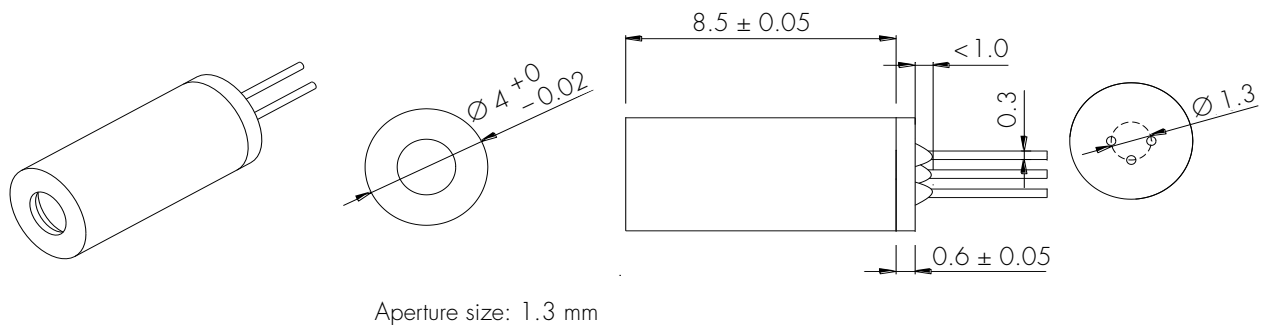
Electrical and Optical Characteristics ($T_c = 25\text{ }^\circ\text{C}$)

Item	Symbol	Min.	Typ.	Max	Unit	Condition
Wavelength	λ	630	635	640	nm	$P_o=1\text{ mW}$
Operation current	I_{op}	-	-	35	mA	$P_o=1\text{ mW}$ $V_{cc}=3\text{ V}$
Operation voltage	V_{op}	2.5	-	3.3	Volt	
laser beam spot size at 10 m				< 20 mm		
Divergence angle				2.0 mrad		

Notes:

If laser module is operated without applicable heat sink, electrical and optical characteristics may be out of specifications.

Outline Dimensions (Units: mm)



Pin Assignment

Pin 1: V_{cc}
 Pin 2: GND
 Pin 3: NC
 (No external connection)

