

## High Power Red Laser Diode

ADL-63T01NP

6-2D-LD63-086\_Rev.02

635nm 0.7W TO9 (9mm) PKG

### Features

High power  
High brightness  
Long lifetime

### Applications

Laser display  
PDT  
Biochemistry  
Military  
Medical/Life and health sciences  
Illumination

### Absolute maximum ratings

Parameter	Symbol	Condition	Rating	Unit
Light output power	$P_o$	CW	800	mW
Reverse voltage (LD)	$V_{RL}$	-	2	V
Case temperature	$T_c$	-	-10~+30	°C
Storage temperature	$T_s$	-	-40~+85	°C

### Electrical and optical characteristics ( $T_c=25^\circ\text{C}$ )

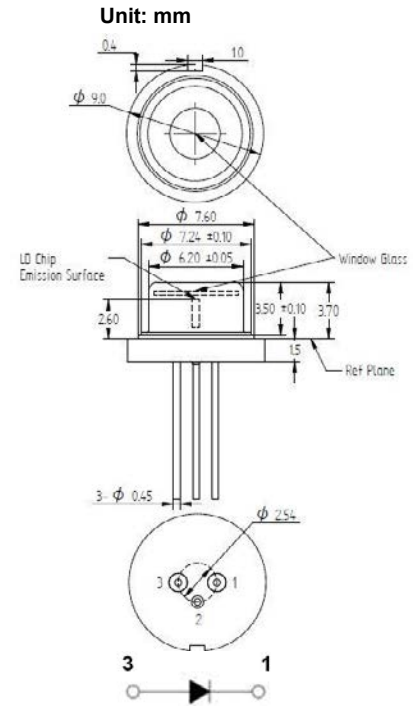
Parameter	Symbol	Min.	Typ.	Max.	Unit	Conditions
Peak wavelength	$\lambda$	628	638	648	nm	$P_o=700\text{mW}$
Emitter size		-	50	-	um	
Polarization			TM			
Threshold current	$I_{th}$	-	500	600	mA	
Operating current	$I_{op}$	-	1400	1600	mA	$P_o=700\text{mW}$
Operating voltage	$V_{op}$	-	2.5	3.0	V	$P_o=700\text{mW}$
Differential efficiency	$\eta$	-	0.85	-	mW/mA	$P_o=20\text{-}200\text{mW}$
Parallel divergence angle	$\theta_{//}$	-	7	-	deg	$P_o=700\text{mW}$
Perpendicular divergence angle	$\theta_{\perp}$	-	22	-	deg	$P_o=700\text{mW}$

\* Sufficient heat dissipation is required for CW operation.

### Precautions

- Do not operate the device above maximum ratings. Doing so may cause unexpected and permanent damage to the device.
- Take precautions to avoid electrostatic discharge and/or momentary power spikes. A change in the characteristics of the laser or premature failure may result.
- Proper heat sinking of the device assures stability and lifetime. Always ensure that maximum operating temperatures are not exceeded.
- Observing visible or invisible laser beams with the human eye directly, or indirectly, can cause permanent damage. Use a camera to observe the laser.
- No laser device should be used in any application or situation where life or property is at risk in event of device failure.
- Specifications are subject to change without notice. Ensure that you have the latest specification by contacting us prior to purchase or use of the product.

For reference only. Contents above are subject to change without notice.



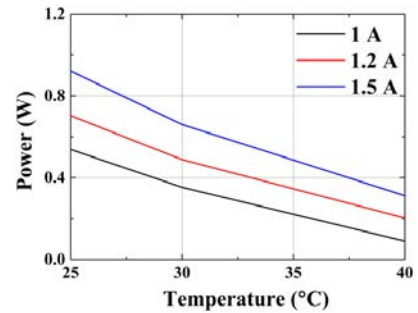
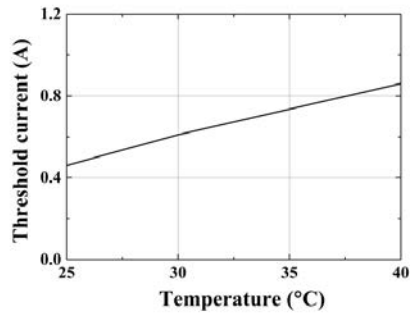
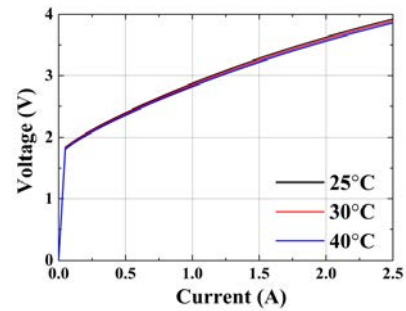
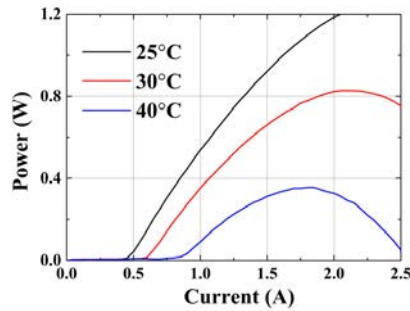
# High Power Red Laser Diode

ADL-63T01NP

6-2D-LD63-086\_Rev.02

635nm 0.7W TO9 (9mm) PKG

Specifications are subject to change without notice. Ensure that you have the latest specification by contacting us prior to purchase or use of the product.



For reference only. Contents above are subject to change without notice.