

Industrial High Speed Optical Transceiver IDL301T-220

DATA SHEET

**For High Speed Data Links Over
Plastic Optical Fibre (POF); 650nm
125 Mbps Fibre Optic Transceiver**

**Outstanding Immunity to
Electromagnetic Interference**

LVPECL Data Bus

FEATURES

- Visible high speed red light LED in the 650nm wavelength range
- LVPECL data bus
- Excellent ESD and EMI/EMC immunity
- Excellent pull force resistance
- Simple low-cost termination solution for 2.2mm jacketed POF cable
- Integrated optics to efficiently focus and direct light
- Eye safe light source
- Compatible with IEEE 802.3u Fast Ethernet data communications
- RoHS compliant

APPLICATIONS

- Industrial vision systems
- Machine control
- Power systems control
- Wind-turbine control
- Solar-panel tracking control
- Robotics




FIGURE 1
OptoLock connector.

DESCRIPTION

Firecomms industrial transceiver combines both a transmit and a receive fibre optic component in a small form factor housing. OptoLock® allows bare fibre termination of standard 2.2mm jacketed Plastic Optical Fibre (POF) with a simple insert and lock system. This enables super fast installation and maintenance. The IDL301T transceiver offers performance over data rates from 10 Mbps to 125 Mbps, which covers diverse machine control applications up to full industrial 100Mb Ethernet.

The transmitter is a visible high speed LED known as a RCLED (Resonant Cavity LED) and is driven by a custom, fully integrated Firecomms driver IC. This provides high speed red light (650nm), which is ideal for communications over 1mm core POF.

The receiver is a digital bridge with photo-diode, Transimpedance amplifier and limiting amplifier, providing direct conversion from light to digital output on an LVPECL-compatible data bus. The receiver has high immunity to EMI/EMC and excellent ESD performance.

IDL301T-220 (Preliminary) Revision P1

Firecomms assumes no responsibility for inaccuracies or omissions in the information contained in this document. Specifications are subject to change without notice. No patent rights are granted to any of the circuits described herein.

SPECIFICATIONS

ABSOLUTE MAXIMUM RATINGS ⁽¹⁾				
Parameter	Symbol	Minimum	Maximum	Unit
Storage Temperature	T _{stg}	-40	+85	°C
Operating Temperature	T _{op}	-20	+85	°C
Soldering Temperature ⁽²⁾			+260	°C
Supply Voltage	V _{cc}	-0.5	+4.5	V
Receiver Optical Overload	P _{OL}		0	dBm

Notes:

- These are absolute maximum ratings at or beyond which the FOT can be damaged.
- 260°C, 5s 3 times, at least 2.2 mm away from lead root.

TRANSMITTER ELECTRICAL AND OPTICAL CHARACTERISTICS					
Parameter	Symbol	Minimum	Typical	Maximum	Unit
Supply Voltage	V _{cc}	3.00	3.30	3.60	V
Current Consumption	I _{cc}	30.0	37.0	52.0	mA
Data Rate	BR	10		125	Mbps
Input Capacitance	C _{in}			5.00	pF
Input Resistance	R _{in}		5.00		kΩ
Input Common-Mode Voltage Range	V _{IB}	GND+0.8		VCC-0.8	V
Differential Input Voltage Swing	V _{ID}	100		1200	mV
Optical Power OFF Delay	T _{PD}	0.02		20.00	μs
Optical Power ON Delay	T _{PU}			5.00	μs
Peak Wavelength	λ _{peak}	640	660	670	nm
Spectral Bandwidth (FWHM)	Δλ	18	24	27	nm
Average Output Power	P ₅₀	-10.0	-5.5	-1.5	dBm
Optical Rise Time (20%-80%)	T _R	0.50	1.30	3.00	ns
Optical Rise Time (80%-20%)	T _F	0.40	0.50	0.70	ns
Optical Modulation Amplitude	OMA	120	590	1250	μW
Open Eye Width	T _{eye}	6.6	7.4	7.9	ns

SPECIFICATIONS (continued)

RECEIVER ELECTRICAL AND OPTICAL CHARACTERISTICS					
Parameter	Symbol	Minimum	Typical	Maximum	Unit
Supply Voltage	V _{CC}	3.0	3.3	3.6	V
Current Consumption	I _{CC}	40	65	100	mA
Data Rate ^[4]	BR	10		125	MBd
Output Common Mode Voltage	V _{OB}		1.2		V
Output Differential Voltage Swing	V _{OD}	1.0	1.4	1.8	V
Output Rise Time (10%-90%)	T _R	0.0	1.2	2.5	ns
Output Fall Time (90%-10%)	T _F	0.0	1.0	2.5	ns
Average Input Sensitivity	P _{in}	-22	-24	-27	dBm
Open Eye Width	EW	5.0	6.0	8.0	ns
Signal Detect Assert/Deassert Time	T _{SD}	0	0.3	1.5	μs
Signal Detect Optical Assert Level	P _{SD-AS}	-37.0	-32.0	-29.0	dBm
Signal Detect Optical Deassert Level	P _{SD-DAS}	-41.0	-35.0	-30.0	dBm
Signal Detect Voltage High ^[6] (V _{OH} -V _{CC})	V _{SDH}	V _{CC} -0.9	V _{CC} -0.7	V _{CC} -0.6	V
Signal Detect Voltage High ^[6] (V _{OL} -V _{CC})	V _{SDL}	V _{CC} -1.9	V _{CC} -1.7	V _{CC} -1.4	V

Notes:

3. All tests were performed using an OptoLock connector for 2.2mm jacket coupled to 1m of standard 1mm core 0.5NA POF.
4. Test data was run at the upper limit of 125 Mbps using a PRBS7 test pattern and 8B/10B encoding.
5. Test data was validated over the full temperature range -20°C to +85°C and over the supply voltage range 2.97V to 3.63V.
6. Signal Detect is a PECL type output where the logic level is referenced to V_{CC}.

MECHANICAL INFORMATION (continued)

TRANSMITTER PIN DESCRIPTION		
Pin	Name	Symbol
TRANSMITTER		
1	EMI-GND	GND
2	Data Input (Negative)	TD-
3	Data Input (Positive)	TD+
4	Rex - Ground Pin ^[1]	GND
5	DC Power Input Pin	Vcc
6	Ground Pin ^[1]	GND
RECEIVER		
7	DC Power Input Pin	Vcc
8	Ground Pin ^[1]	GND
9	Signal Detect Output	SD
10	Data Output (Negative)	RD-
11	Data Output (Positive)	RD+
12	EMI-GND	GND

Notes:

1. NB: Both ground pins must be connected to the ground plane on the PCB. These pins are not connected internally.

ORDERING INFORMATION

ORDERING INFORMATION		
Part Number	Name	Description
IDL301T-220	Industrial OptoLock LVPECL Transceiver, Black	650nm RLED-Based Transceiver, Color Black, with Termination for Bare POF Cable 2.2mm Diameter

INTERFACE CIRCUIT

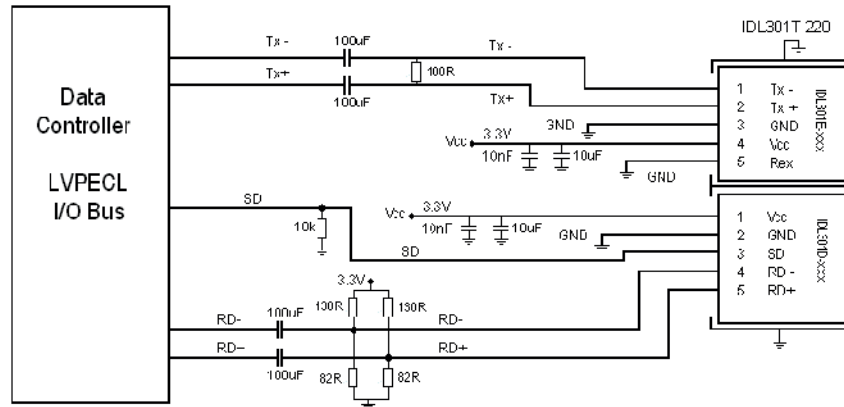


FIGURE 3
Schematic layout for an AC coupled IDL301T-220.

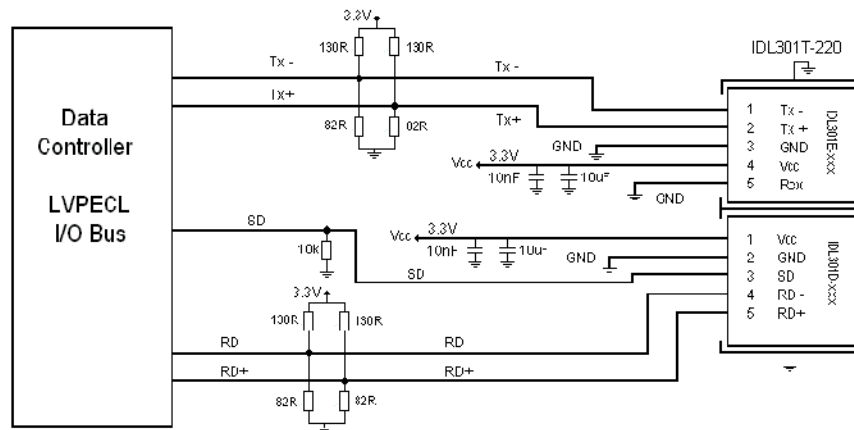


FIGURE 4
Schematic layout for a DC coupled IDL301T-220.

PACKING INFORMATION

Components are packed in PVC anti-static tubes in moisture barrier bags. Bags should be opened only in static-controlled locations, and standard procedures should be followed for handling moisture sensitive components.

PACKING INFORMATION		
Components per Tube		25
	Tube Length	440 mm
	Tube Height	20 mm
	Tube Depth	31 mm
Tubes per Bag		10
Bags per Inner Carton		1
	Tube Length	590 mm
	Tube Height	85 mm
	Tube Depth	145 mm
Weight per Inner Carton, Complete		1.8 Kg
Components per Inner Carton		250
Inner Cartons per Outer Carton		4
	Outer Carton Length	600-640 mm
	Outer Carton Height	300 mm
	Outer Carton Depth	200-285 mm
Weight per Outer Carton, Complete		8.6 Kg
Components per Outer Carton		1,000

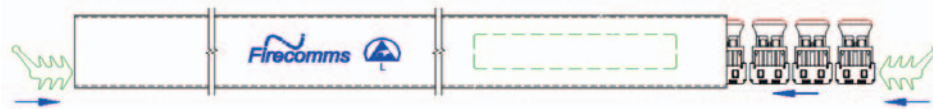


FIGURE 5
Packing tube for the Firecomms transceiver IDL301T-220.

CONFIDENTIAL PROPRIETARY INFORMATION

This document contains confidential proprietary information originated by FIRECOMMS Ltd. and/or its customers and suppliers. Information herein shall not be copied or distributed, nor shall the concepts or specifications be disclosed or used by any unauthorized party without prior written notice and consent by an officer of Firecomms Ltd. The delivery and receipt of this document does not convey any rights to reproduce, disclose, manufacture, use or sell anything incorporating the proprietary or value-added information provided herein. All patent and trade secret rights are expressly reserved.

IDL301T-220 (Preliminary) Revision P1

Firecomms assumes no responsibility for inaccuracies or omissions in the information contained in this document. Specifications are subject to change without notice. No patent rights are granted to any of the circuits described herein.

