

TGG Based Polarization Independent Dual Stage 850/980/1060 Optical Circulator

(Patant pending)

Product Description

The OC Series Terbium Gallium Garnet Based 850/980/1060nm dual stage Optical Circulators are non-reciprocal devices that redirect light from port-to-port in only one direction while minimizing back reflection and back scattering in the reverse directions for any state of polarization. With Agiltron's patent pending magnetic-optics technology and proven advanced micro optics design, the dual stage circulator features low insertion loss, high isolation, broad wavelength coverage, high power handling, and high stability. Agiltron also provides customized design to meet special applications.



Features

- Low Insertion Loss
- High Isolation
- Low PDL
- High Reliability & Stability
- Borad Operation Wavelength

Performance Specifications

OC Series TGG PI 2-S Circulator		Min	Typical	Max	Unit
Operation Wavelength	850	840		860	nm
	980*	970		990	
	1060	1050		1070	
Insertion Loss ¹			1.8	2.5	dB
Wavelength Dependent Loss				0.2	dB
Isolation		40	45	55	dB
Polarization Dependent Loss			0.15	0.25	dB
Cross Talk		45	50		dB
Return Loss		50	55		dB
Optical Power Handling			500	5000*	mW
Storage Temperature		-10		60	°C
Fiber Type		See order information			
Package Dimension**		(L)114x(W)34X(H)33			

* Special order

**Package dimension for reference only.

1. Excluding connectors

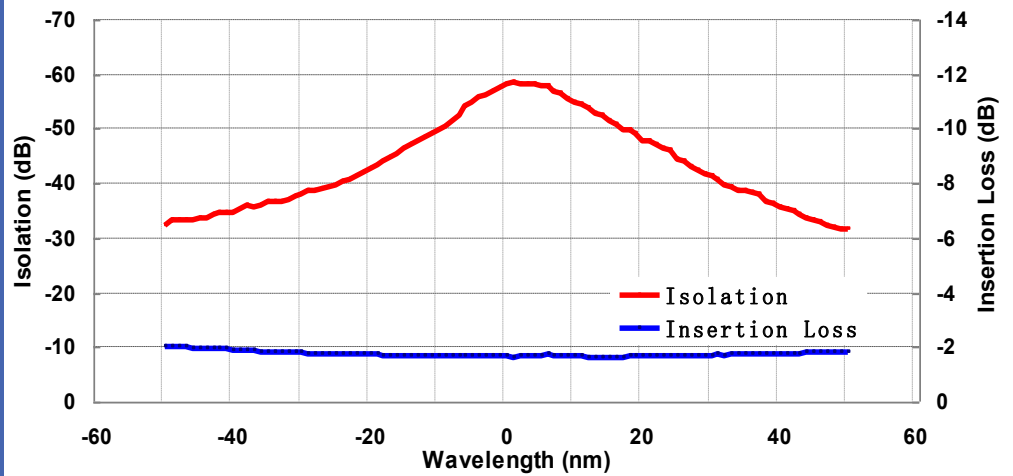
Applications

- Fiber Optic Sensor
- Test and Measurement
- Instrumentation

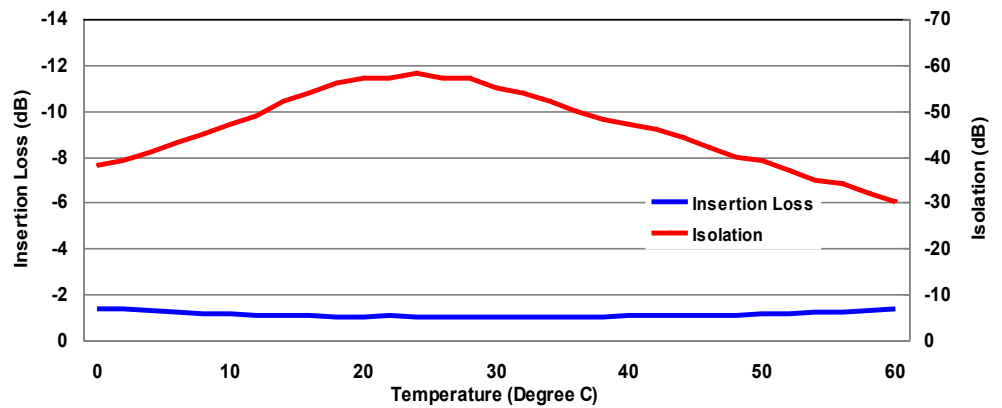
Revised on 5/2/21

TGG Based Polarization Independent Dual Stage 850/980/1060 Optical Circulator

Optical Performance

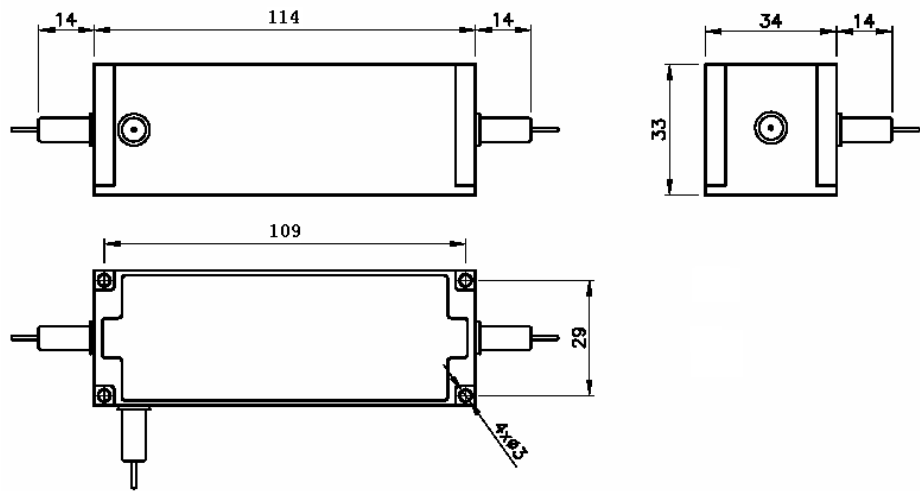


IL/ISO VS. Temp @ Center Wavelength



Terbium Gallium Garnet Based Polarization Independent 850/980/1060 Optical Circulator

Mechanical Dimensions (Unit:mm)



*Product dimensions may change without notice. This is sometimes required for non-standard specifications.

Ordering Information

OCST-	<input type="checkbox"/>	<input type="checkbox"/>	<input type="checkbox"/>	<input type="checkbox"/>	<input type="checkbox"/>	<input type="checkbox"/>	<input type="checkbox"/>	<input type="checkbox"/>
Type	Wavelength	Grade	Package	Fiber Type		Fiber Length	Connector	
Polarization Independent=11 Special=10	1060=1 850=8 980=9 Special=0	Standard=1 Special=0	Standard=1 Special=0	HI1060=2 HI1060 Flex=3 HI780=7 HI980=9 Special=0	Bare fiber=1 900um Loose tube=3 Special=0	0.25M=1 0.5M=2 1.0M=3 Special=0	None=1 FC/PC=2 FC/APC=3 SC/PC=4 SC/APC=5 ST/PC=6 LC=7 Special=0	