

Datasheet: Necsel™ RGB NovaLum 250 Laser

These specifications are for the Necsel multi-color (RGB) NovaLum package (250 lumens at D65).



Model #	Symbol	Min. (mW)	Typical (mW)	Max. (mW)
NovaLum-RGB-250	λ	-	1150	-

Operating Wavelengths

Laser Parameter	Symbol	Min.	Typical	Max.	Unit
Operating Power RGB (D65 White Balanced)	P_{op}	-	1150	-	mW
Module Operating Temperature [non-condensing atmosphere]	$T_{Thermistor}$	-	25	-	°C
Red					
Center Wavelength	λ	-	638	-	nm
Operating Power	P_{op}	500	-	-	mW
Current	I_{op}	-	800	-	mA
Voltage	V_{op}	1.9	2.4	2.6	V
Green					
Center Wavelength	λ	-	525	-	nm
Operating Power	P_{op}	600	-	-	mW
Current	I_{op}	-	1500	-	mA
Voltage	V_{op}	3.5	4.7	5.2	V
Blue					
Center Wavelength	λ	-	465	-	nm
Operating Power	P_{op}	1200	-	-	mW
Current	I_{op}	-	1500	-	mA
Voltage	V_{op}	3.5	4.2	4.8	V

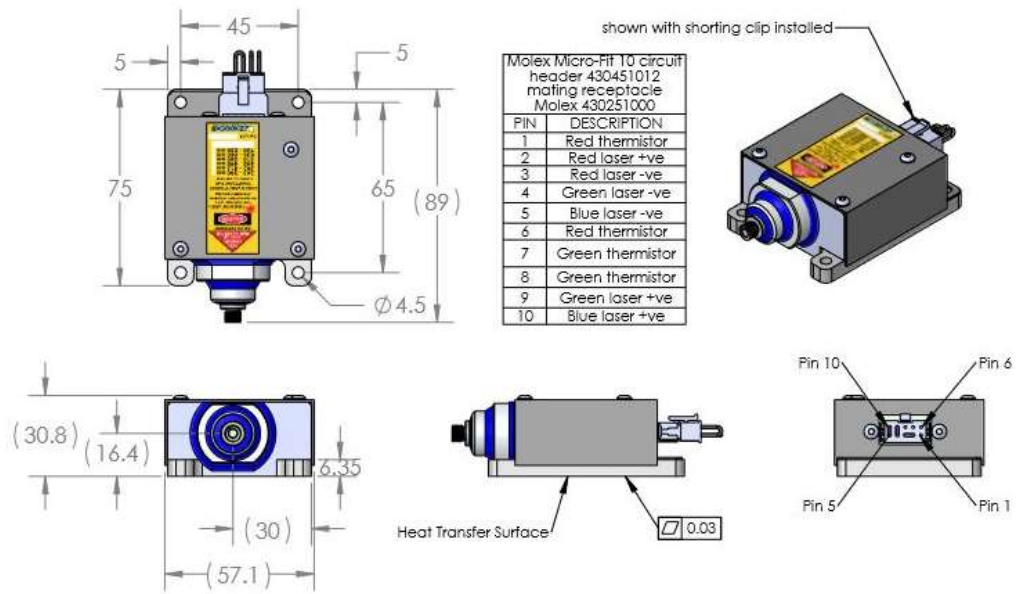
Fiber Specifications

Fiber Core Diameter (Centration $\leq 10 \mu\text{m}$)	0.200	mm
Connector Type (Nose length 0.3850 - 0.3863 in., 9.779 9.812 mm)	SMA-905	
Numerical Aperture	0.22	

Note: Other fiber core diameters, NA and connector types available upon request.



Outline Drawing and Electrical Connections



Necsel follows a policy of continuous product improvement and may change product descriptions and specifications at any time without notice. Necsel offers a limited product warranty to ensure customer satisfaction. Standard terms and conditions can be found on the web at <http://necsel.com/terms-conditions>. This product is solely intended to be integrated into a laser product certified by the Customer. The Customer acknowledges that their product(s) that incorporate Necsel laser products must comply with the applicable regulations before it can be sold.



USHIO