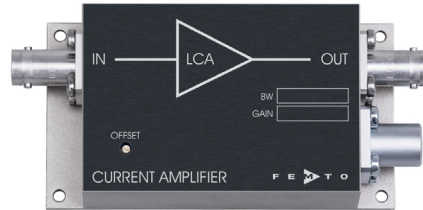


Datasheet

LCA-200-10G

Ultra-Low-Noise Current Amplifier



Features

- **Bandwidth and Frequency Response Independent of Detector-Capacitance (up to 10 nF)**
- **Extremely Low Noise, 1.5 fA/√Hz Equivalent Input Noise Current**
- **Bandwidth DC ... 200 Hz**
- **Transimpedance (Gain) 1×10^{10} V/A**

Applications

- **Photodiode- and Photomultiplier-Amplifier**
- **Spectroscopy**
- **Charge-Amplifier**
- **Ionisation Detectors**
- **Preamplifier for Lock-Ins, A/D-Converters, etc.**

Specifications

	Test Conditions	$V_s = \pm 15$ V, $T_a = 25^\circ$ C Warm-up 20 minutes (min. 10 minutes recommended)
Gain	Transimpedance	1×10^{10} V/A (>10 k Ω Load)
	Accuracy	$\pm 1\%$
Frequency Response	Lower Cut-Off Frequency	DC
	Upper Cut-Off Frequency	200 Hz (-3 dB)
	Rise- / Fall-Time	2 ms (10% - 90%)
	Gain Flatness	± 0.1 dB
Input	Equ. Input Noise Current	1.5 fA/√Hz (@ 10 Hz)
	Equ. Input Noise Voltage	90 nV/√Hz (@ 10 Hz)
	Input Bias Current	20 fA typ. / 30 fA max.
	Input Bias Current Drift	Factor 2 / 10 K
	Offset Current Compensation	± 300 pA, Adjustable by Offset-Trimpot
	Max. Input Current	± 1 nA (Linear Amplification)
	Input Offset Voltage	< 0.5 mV
	DC Input Impedance	1 k Ω (Virtual) // 5 pF
Output	Output Voltage	± 10 V (>10 k Ω Load)
	Output Impedance	50 Ω (Terminate with >10 k Ω for best Performance)
	Max. Output Current	± 10 mA (Linear Amplification)
Power Supply	Supply Voltage	± 15 V
	Supply Current	± 15 mA typ.
Case	Weight	210 gr. (0.5 lbs)
	Material	AlMg4.5Mn, nickel-plated
Temperature Range	Storage Temperature	-40 ... +100 $^\circ$ C
	Operating Temperature	0 ... +60 $^\circ$ C

SOPHISTICATED TOOLS FOR SIGNAL RECOVERY



DE-LCA-200-10G_R6/JM/13MAR2019

Datasheet

LCA-200-10G

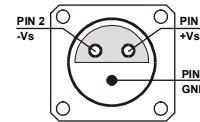
Ultra-Low-Noise Current Amplifier

Absolute Maximum Ratings

Input Voltage ± 10 V
Power Supply Voltage ± 22 V

Connectors

Input BNC
Output BNC
Power Supply LEMO Series 1S, 3-pin Fixed Socket
Pin 1: +15V
Pin 2: -15V
Pin 3: GND



Application Diagrams

Photo Detector Biasing in Photovoltaic Mode:
Use for Low Speed Applications and Minimum Dark Current.

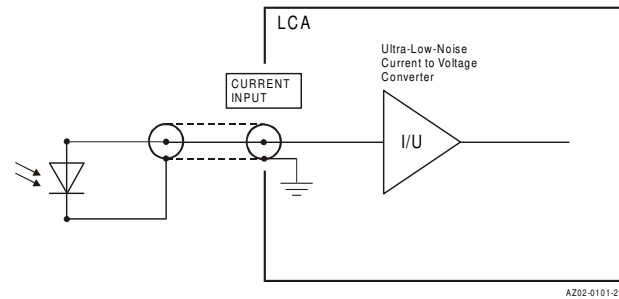
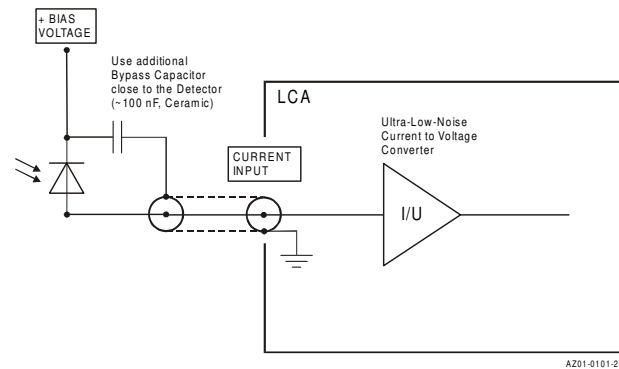


Photo Detector Biasing in Photoconductive Mode:
Use for Fast Applications and if More Dark Current is Tolerable.
Bias Voltage Decreases Detector Capacitance.



SOPHISTICATED TOOLS FOR SIGNAL RECOVERY

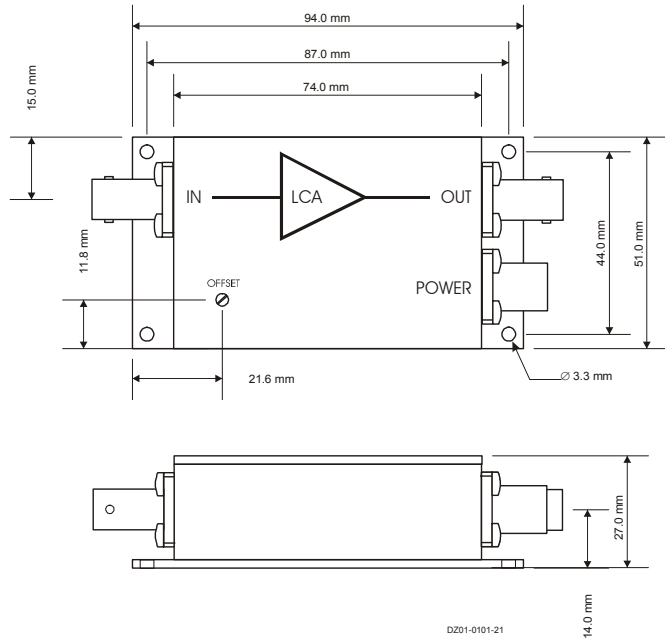


Datasheet

LCA-200-10G

Ultra-Low-Noise Current Amplifier

Dimensions



Specifications are subject to change without notice. Information provided herein is believed to be accurate and reliable. However, no responsibility is assumed by FEMTO Messtechnik GmbH for its use, nor for any infringement of patents or other rights of third parties which may result from its use. No license is granted by implication or otherwise under any patent or patent rights of FEMTO Messtechnik GmbH. Product names mentioned may also be trademarks used here for identification purposes only.

© by FEMTO Messtechnik GmbH · Printed in Germany

SOPHISTICATED TOOLS FOR SIGNAL RECOVERY

