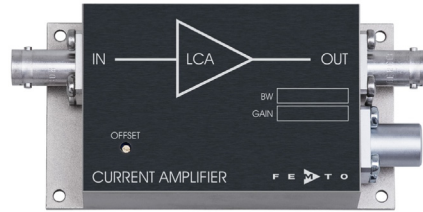


Datasheet

LCA-20K-200M

Ultra-Low-Noise Current Amplifier



Features

- **Bandwidth and Frequency Response Independent of Detector-Capacitance (up to 10 nF)**
- **Extremely Low Noise, 14 fA/√Hz Equivalent Input Noise Current**
- **Bandwidth DC ... 20 kHz**
- **Transimpedance (Gain) 2×10^8 V/A**

Applications

- **Photodiode- and Photomultiplier-Amplifier**
- **Spectroscopy**
- **Charge-Amplifier**
- **Ionisation Detectors**
- **Preamplifier for Lock-Ins, A/D-Converters, etc.**

Specifications

	Test Conditions	$V_s = \pm 15$ V, $T_a = 25^\circ$ C
Gain	Transimpedance Accuracy	2×10^8 V/A (>10 k Ω Load) $\pm 1\%$
Frequency Response	Lower Cut-Off Frequency Upper Cut-Off Frequency Rise- / Fall-Time Gain Flatness	DC 20 kHz (-3 dB) 20 μ s (10% - 90%) ± 0.1 dB
Input	Equ. Input Noise Current Equ. Input Noise Voltage Input Bias Current Input Bias Current Drift Offset Current Compensation Max. Input Current Input Offset Voltage DC Input Impedance	14 fA/√Hz (@ 10 kHz) 5 nV/√Hz (@ 10 kHz) 2 pA typ. Factor 1.7 / 10 K ± 15 nA, Adjustable by Offset-Trimpot ± 50 nA (Linear Amplification) < 1 mV 50 Ω (Virtual) // 5 pF
Output	Output Voltage Output Impedance Max. Output Current	± 10 V (>10 k Ω Load) 50 Ω (Terminate with >10 k Ω for best Performance) ± 10 mA (Linear Amplification)
Power Supply	Supply Voltage Supply Current	± 15 V ± 40 mA typ.
Case	Weight Material	210 gr. (0.5 lbs) AlMg4.5Mn, nickel-plated
Temperature Range	Storage Temperature Operating Temperature	-40 ... +100 $^\circ$ C 0 ... +60 $^\circ$ C

SOPHISTICATED TOOLS FOR SIGNAL RECOVERY

F E M T O[®]

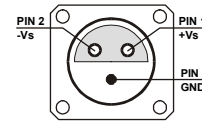
DE-LCA-20K-200M_R6/JM/13MAR2019

Datasheet

LCA-20K-200M

Ultra-Low-Noise Current Amplifier

Absolute Maximum Ratings	Input Voltage	± 5 V
	Power Supply Voltage	± 22 V
Connectors	Input	BNC
	Output	BNC
	Power Supply	LEMO Series 1S, 3-pin Fixed Socket Pin 1: +15V Pin 2: -15V Pin 3: GND



Application Diagrams

Photo Detector Biasing in Photovoltaic Mode:
Use for Low Speed Applications and Minimum Dark Current.

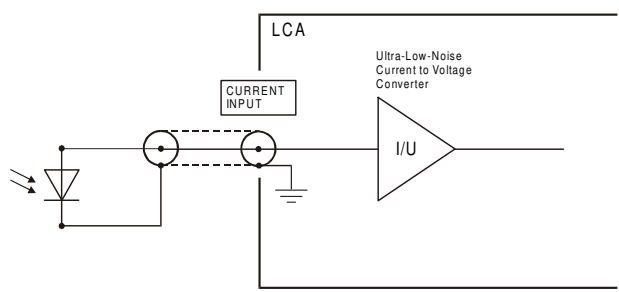
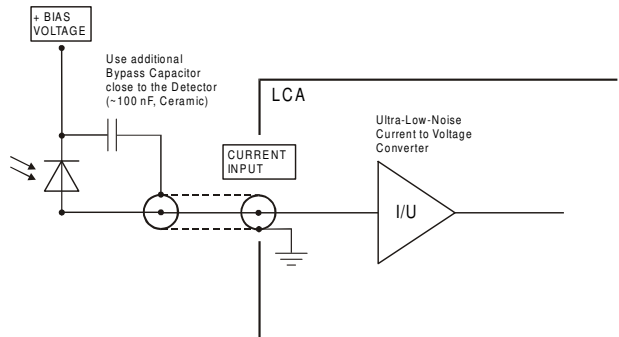


Photo Detector Biasing in Photoconductive Mode:
Use for Fast Applications and if More Dark Current is Tolerable.
Bias Voltage Decreases Detector Capacitance.



SOPHISTICATED TOOLS FOR SIGNAL RECOVERY

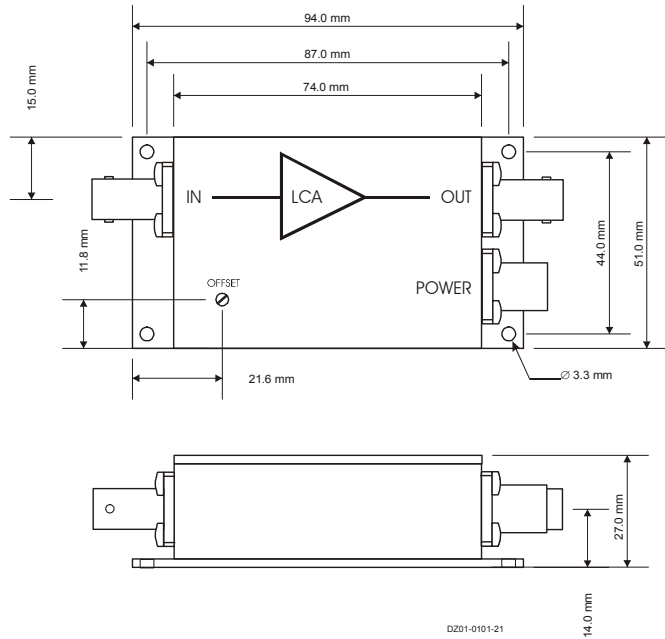


Datasheet

LCA-20K-200M

Ultra-Low-Noise Current Amplifier

Dimensions



Specifications are subject to change without notice. Information provided herein is believed to be accurate and reliable. However, no responsibility is assumed by FEMTO Messtechnik GmbH for its use, nor for any infringement of patents or other rights of third parties which may result from its use. No license is granted by implication or otherwise under any patent or patent rights of FEMTO Messtechnik GmbH. Product names mentioned may also be trademarks used here for identification purposes only.

© by FEMTO Messtechnik GmbH · Printed in Germany

SOPHISTICATED TOOLS FOR SIGNAL RECOVERY

FEMTO