

ALBALUX FM White Light Fiber Coupled Module

A novel white light source, ALBALUX FM offers high luminance output that enables long throw distances, narrow beam angles and small optic sizes for specialty lighting applications.

The small 450 nm diode laser pumps a phosphor that produces brilliant, broad-spectrum, incoherent white light. This award-winning technology is the world's first laser-generated white light source of its kind.

Features

- World's highest luminance with novel fiber optic delivery
- Up to 100x the intensity of the white light LED
- Precise beam control and illumination
- Typical >150 lumens fiber output
- CCT 6000K, CRI 70

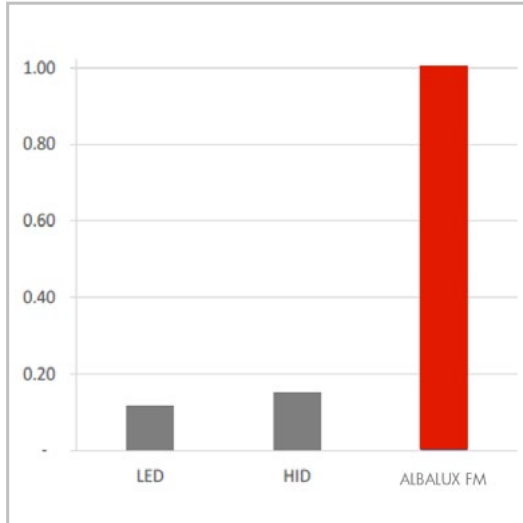
Applications

- Medical and industrial endoscopy
- Spectroscopic diagnostics
- Biomedical instrumentation
- Machine vision
- Specialty lighting
- Defense
- Law enforcement

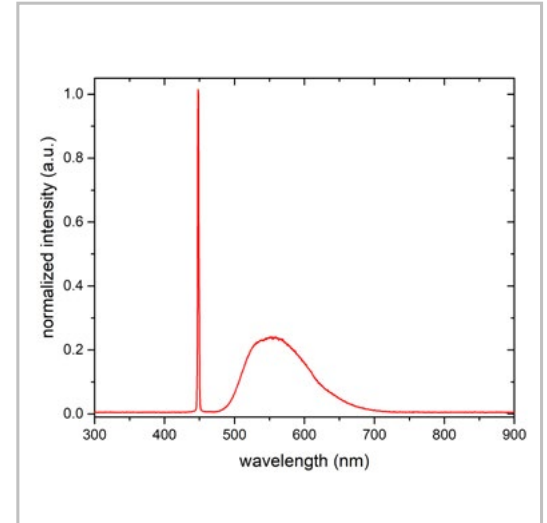


About the Awards: <https://visionsystemsdesigninnovators.secure-platform.com>

Relative Luminance Capability



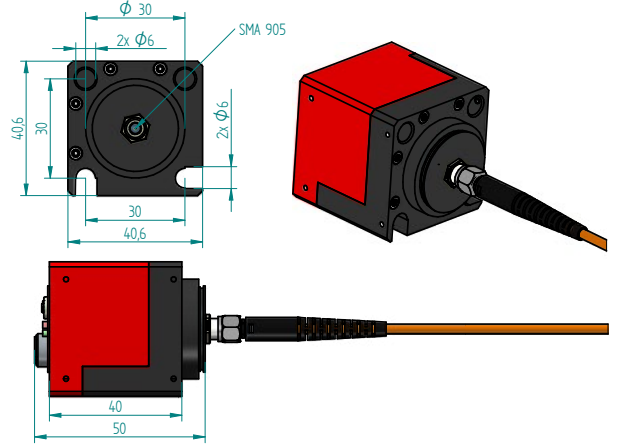
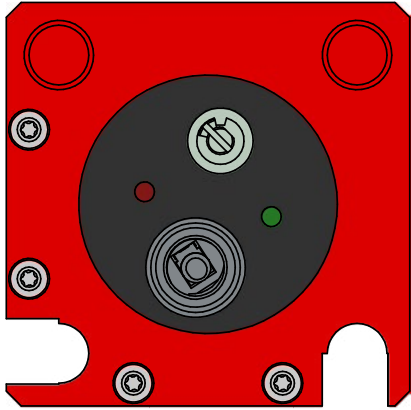
Spectral Power Distribution



Specifications

Parameter	Typical Value
Luminous output	150 lumens out of 1 mm POF (plastic optical fiber)
Color temperature (CCT)	6000
Color rendering index (CRI)	70
Operating voltage	12 V
Operating current	2.0 A
Fiber type	POF, included
Fiber length	1300 mm (standard)
Fiber core size; NA	1 mm; 0.63 (standard)
Fiber connector	SMA 905
Operating temperature (housing)	0 – 50 °C (non-condensing)
Housing dimensions (L x W x H)	40 x 40.6 x 40.6 mm
Power supply	DC 12 V, included, EU and US plugs
User interface	- green LED: on, when module is connected to power supply - red LED: indicates light emission - potentiometer for output power adjustment
Accessory	Collimator with SMA adapter

Housing Dimensions



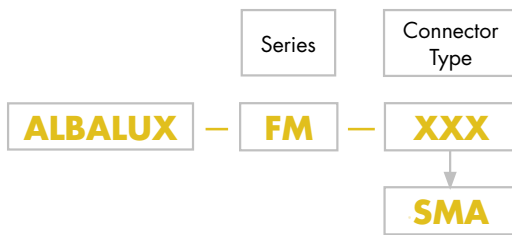
NOTE:

External cooling required!

The heat load that is generated during operation is conducted to the base of the housing. A heat load of about 24 W has to be conducted away by an external actively cooled heatsink for reliable operation.

The use of thermal compound is recommended.

Ordering Code ALBALUX Fiber Coupled White Light Modules



Product Changes

LASER COMPONENTS reserves the right to make changes to the product(s) or information contained herein without notice. No liability is assumed as a result to their use or application.

Ordering Information

Products can be ordered directly from LASER COMPONENTS or its representatives. For a complete listing of representatives, visit our website at www.lasercomponents.com
Custom designed products are available on request.