

LWL- Steckverbinder und Zubehör

Fiber Optical Connectors and Accessories



Inhaltsverzeichnis

Table of Contents



SMA Stecksystem
SMA connector system

2



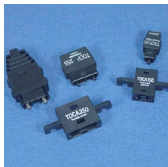
ST® Stecksystem
ST® connector system

5



FC Stecksystem
FC connector system

7



F05 und F07 Stecksystem
F05 and F07 connector system

9



V-PIN Stecksystem
V-PIN connector system

11



Montagezubehör
Assembly Tools and Accessories

13

SMA Stecksystem

Für die sogenannten großkernigen Fasern ist der SMA Stecker der gängigste Steckverbinder. Er zeichnet sich durch einfache Montage und Robustheit aus. Neben den bewährten Stecker für Kleben und polieren stehen Crimp & Cleave (C&C) Stecker und wiederverwendbare Schnellmontage-Stecker zur Verfügung.

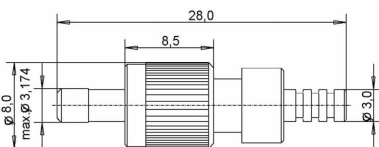


SMA connector system

For so called "large core fibers" the SMA connector is the most common one. They are remarkably easy to terminate and robust. Aside from the tried and tested glue and polish technique, we also offer crimp & cleave connectors as well as re-usable clamping connectors.

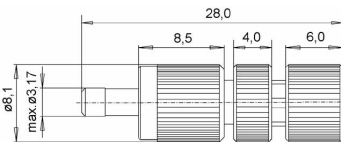
SMA connectors are mainly used in sensor and medical applications.

Stecker

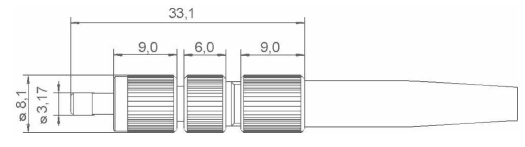


Pic. 1

Connectors



Pic. 2



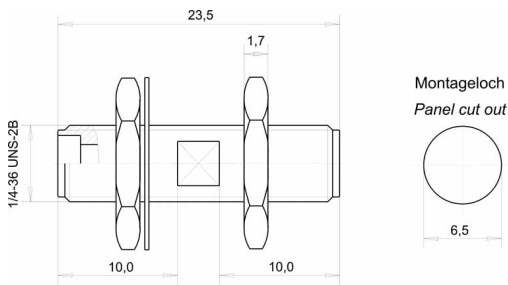
Pic. 3

Description	Part Number	Bore Hole	Mounting	Note	Pic
SMA-B128	2014451	128 µm	Glue & Polish		1
SMA-B144	2014441	144 µm	Glue & Polish		1
SMA-B236	2014439	236 µm	Glue & Polish		1
SMA-B270	2014438	270 µm	Glue & Polish		1
SMA-B340	2014440	340 µm	Glue & Polish		1
SMA-B440	2014436	440 µm	Glue & Polish		1
SMA-B475	2014442	475 µm	Glue & Polish		1
SMA-B530	2014469	530 µm	Glue & Polish		1
SMA-B640	2014437	640 µm	Glue & Polish		1
SMA-B720	2014443	720 µm	Glue & Polish		1
SMA-B880	2014446	880 µm	Glue & Polish		1
SMA-B900	2014444	900 µm	Glue & Polish		1
SMA-B1060	2014463	1060 µm	Glue & Polish		1
SMA-B235	2014448	235 µm	Clamping		3
SMA-B1050	2014449	1050 µm	Clamping		2
SMA-B1050	2014453	1050 µm	Clamping	MOST	3

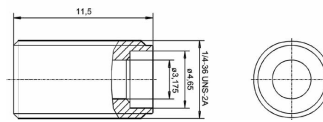
Other versions available upon request.

Zubehör

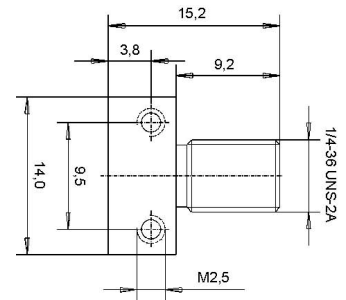
Accessories



Pic. 1



Pic. 2



Pic. 3

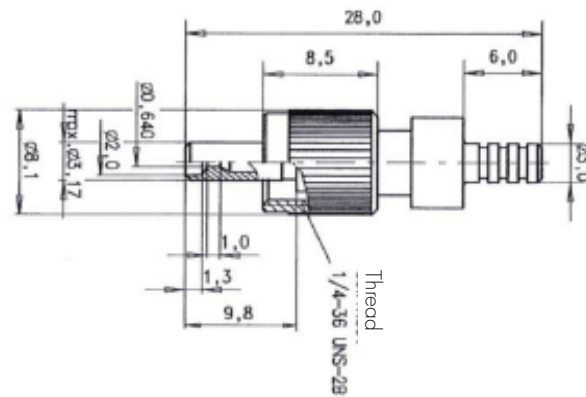
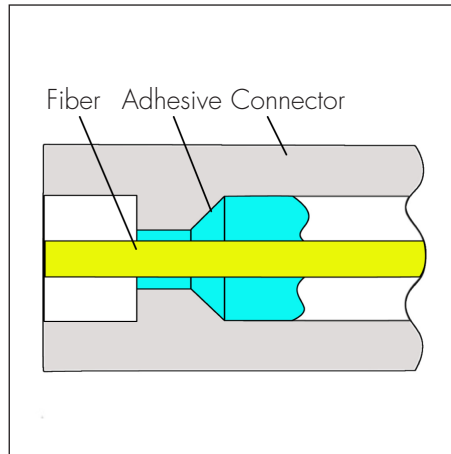
Description	Part Number	Note	Pic
SMA adapter	2014588	O-Ring with O-seal	1
Half SMA adapter	2014591	O-Ring with O-seal	2
SMA receptacle	2014587	TO-46, TO-18	3
SMA fixing nut	2014592		
Other versions available upon request.			

SMA Stecksystem (freistehende Faser)

Diese SMA Stecker werden hauptsächlich bei der Lasereinkopplung von hohen Leistungen und in der Medizintechnik verwendet. Mit einem speziellen Verfahren aus der Feinoptik werden die Stecker vor dem Polieren behandelt. Durch dieses Verfahren wird erreicht, dass beim fertig konfektionierten Stecker kein Kleber im Bereich der Faserstirnfläche ist.

SMA connector system (free-standing fiber)

These connectors are mainly used in medical applications where high power levels have to be fiber coupled. The connectors are treated with a special process from the field of precision optics before they are polished. Due to this process, the ready assembled connector will be free of adhesive on the fiber front facet.



Pic. 1

Description	Part Number	Bore Hole	Mounting	Pic
SMA-B235	2014462	235 µm	Glue & Polish	1
SMA-B260	2014472	260 µm	Glue & Polish	1
SMA-B270	2014461	270 µm	Glue & Polish	1
SMA-B440	2014452	440 µm	Glue & Polish	1
SMA-B520	2014465	520 µm	Glue & Polish	1
SMA-B640	2014454	640 µm	Glue & Polish	1
SMA-B650	2014474	650 µm	Glue & Polish	1
SMA-B1560	2014464	1560 µm	Glue & Polish	1

Other versions available upon request.

ST[®] Stecksystem

Neben den Anwendungen für großker-nigen Fasern wird der ST[®] Stecker auch häufig in der Telekommunikation eingesetzt. Schnelle Verriegelung der Stecker ist durch den Bajonetverschluss möglich.

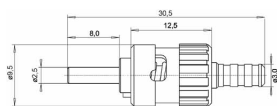


ST[®] connector system

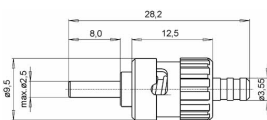
Apart from multimode applications, ST[®] connectors are also often used in tele-communications. Quick fastening of the connector by bayonet joint.

Stecker

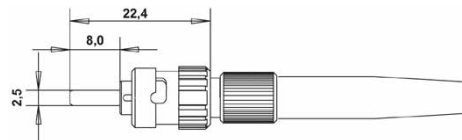
Connectors



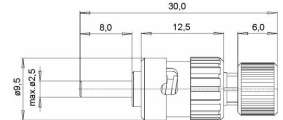
Pic. 1



Pic. 2



Pic. 3



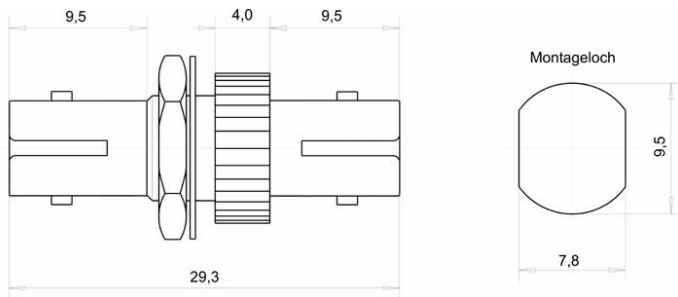
Pic. 4

Description	Part Number	Bore Hole	Mounting	Note	Pic.
ST-B127	2014411	127 µm	Glue & Polish		1
ST-B146	2014413	146 µm	Glue & Polish		1
ST-B160	2014426	160 µm	Glue & Polish		1
ST-B235	2014408	235 µm	Glue & Polish		1
ST-B270	2014419	270 µm	Glue & Polish		1
ST-B340	2014421	340 µm	Glue & Polish		1
ST-B436	2014409	436 µm	Glue & Polish		1
ST-B470	2014417	470 µm	Glue & Polish		1
ST-B530	2014423	530 µm	Glue & Polish		1
ST-B641	2014410	641 µm	Glue & Polish		1
ST-B1050	2014414	1050 µm	Glue & Polish		2
ST-B1060	2014422	1060 µm	Glue & Polish		1
ST-B236	2014416	236 µm	Clamping		3
ST-B1050	2014415	1050 µm	Clamping		4

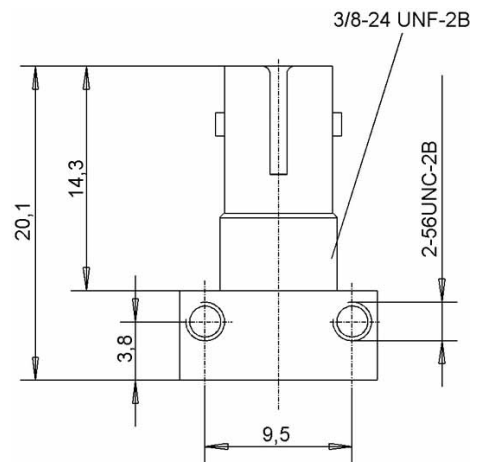
Other versions available upon request.

Zubehör

Accessories



Pic. 1



Pic. 2

Description	Part Number	Note	Pic
ST adapter	2014595	Ceramic sleeve	1
ST diode housing	2014590	TO-46, TO-18	2
Other versions available upon request.			

FC Stecksystem

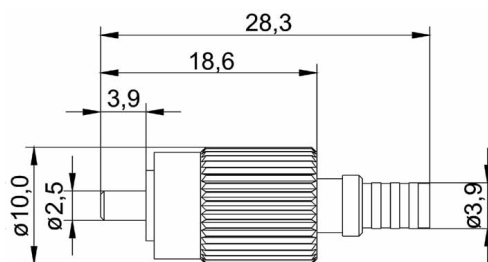
Der FC Stecker hat einen axial gefederten Stift, um die Anpresskraft der Stirnfläche zu begrenzen. Haupteinsatzgebiete sind Netzwerke für Telekommunikation.



The connector is equipped with a pin which is axially spring-loaded. The main field of application is in telecommunication networks.

Stecker

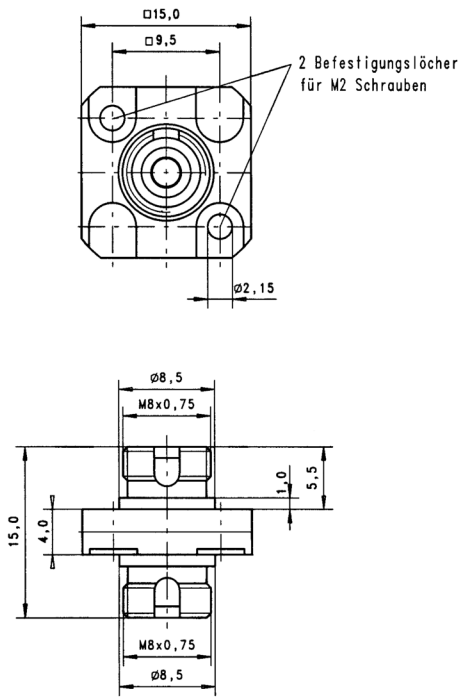
Connector



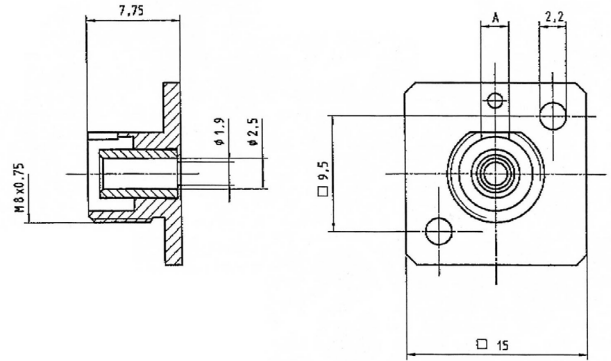
Pic. 1

Description	Part Number	Bore Hole	Mounting	Note	Pic.
FC-B127	2014557	127 µm	Glue & Polish		1
FC-B128	2011068	128 µm	Glue & Polish		1
FC-B144	2014565	144 µm	Glue & Polish		1
FC-B235	2014549	235 µm	Glue & Polish		1
FC-B260	2014550	260 µm	Glue & Polish		1
FC-B270	2014554	270 µm	Glue & Polish		1
FC-B340	2014552	340 µm	Glue & Polish		1
FC-B440	2014553	440 µm	Glue & Polish		1
FC-B480	2014548	480 µm	Glue & Polish		1
FC-B530	2014560	530 µm	Glue & Polish		1
FC-B620	2014551	620 µm	Glue & Polish		1
FC-B640	2014555	640 µm	Glue & Polish		1
FC-B1050	2014556	1050 µm	Glue & Polish		1
FC-B1060	2014558	1060 µm	Glue & Polish		1

Other versions available upon request.

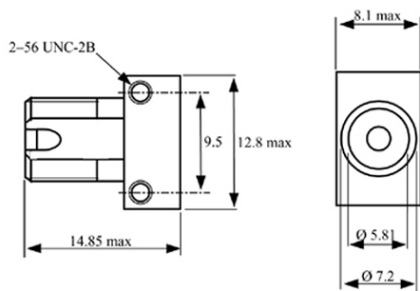


Pic. 1

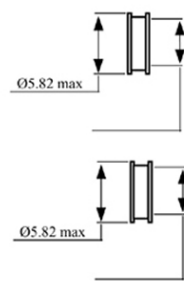


Pic. 2

Dimensions: mm



Pic. 3



Pic. 4

Description	Part Number	Note	Pic.
FC adapter	2014597	Ceramic sleeve	1
FC adapter single side	2011085	With Z-stop, wide key	2
FC diode housing	2014407	TO-46, TO-18	3
FC adapter with round flange	2015255		4

Other versions available upon request.

F05 und F07 Stecksystem

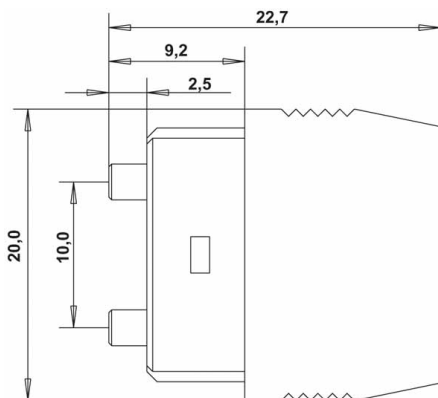
F05 und F07 sind auch unter dem Namen JIS (Japan Industrie Standard) Stecker bzw. TOSLINK Stecker bekannt. HCP 200/230 und Plastikfasern sind die wichtigsten Fasertypen für diesen Steckertyp. Typische Einsatzgebiete sind optische Netzwerke, Industrieelektronik und Consumer Elektronik.



F05 and F07 are also known as JIS (Japanese Industrial Standard) TOSLINK connectors.

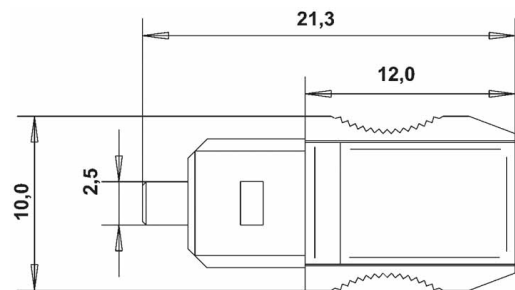
HCP 200/230 and POF fibers are the most important types used with these connectors. Typical applications include optical networks, industry and consumer electronics.

Stecker



Pic. 1

Connectors



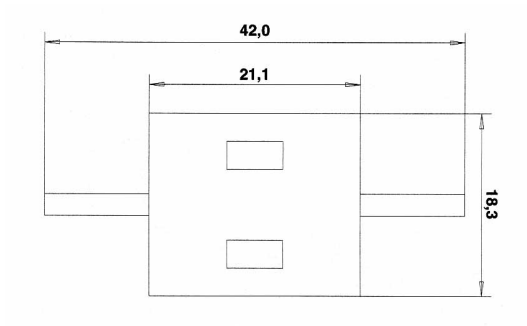
Pic. 2

Description	Part Number	Bore Hole	Mounting	Note	Pic.
F07 connector	2014546	1050 µm	Clamp & Polish		1
F05 connector	2014547	1050 µm	Clamp & Polish		2

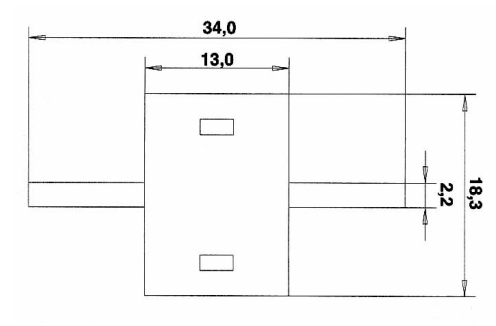
Other versions available upon request.

Zubehör

Accessories



Pic. 1



Pic. 2

Description	Part Number	Note	Pic.
F07 adapter	2014594		1
F05 adapter	3004884		2
Other versions available upon request.			

V-PIN Stecksystem

Dieses Stecksystem ist die Anbindung zu den schnellen Versatile Link Modulen von Agilent.
Die Stecker zeichnen sich durch einfache Montage und geringe Kosten aus. Sie sind sowohl für HCP 200 als auch für Plastikfasern erhältlich.



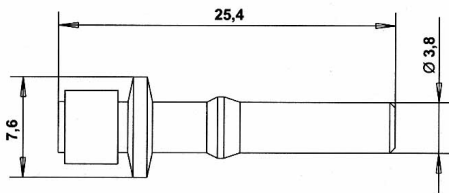
V-PIN connector system

Vertical integration takes the product from fiber through cabling connectorization to create a plug-and-play assembly into Agilent's Versatile Link transceivers. Benefits:

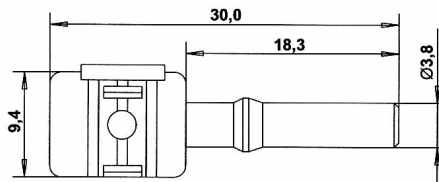
- Cost competitive interconnections
- Quick and easy termination and installation process.
- Available for both HCP 200 and POF fibers

Stecker

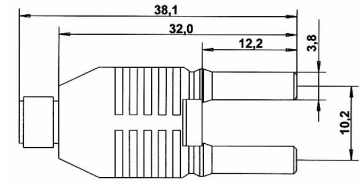
Connectors



Pic. 1



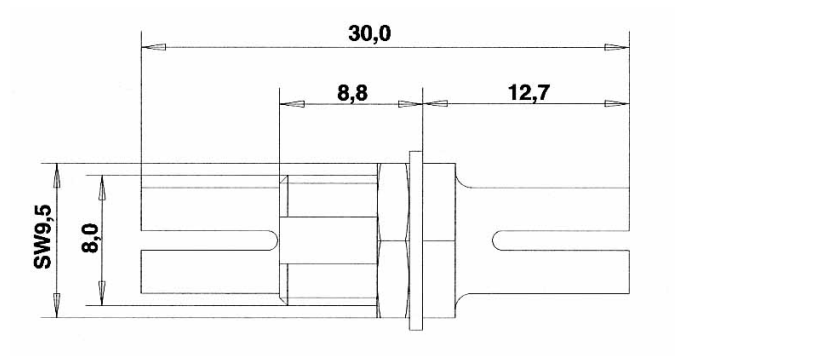
Pic. 2



Pic. 3

Description	Part Number	Bore Hole	Mounting	Note	Pic.
HFBR-4501Z	2010971	1050 µm	Crimp	Simplex grey	1
HFBR-4511Z	2010978	1050 µm	Crimp	Simplex blue	1
HFBR-4503Z	2010973	1050 µm	Crimp	Simplex grey, latch	
HFBR-4513Z	2010979	1050 µm	Crimp	Simplex blue, latch	
HFBR-4506Z	2010977	1050 µm	Crimp	Duplex grey	3
HFBR-4516Z	2010983	1050 µm	Crimp	Duplex grey, latch	
HFBR-4531Z	2010984	1050 µm	Clamping	Simplex/Duplex black	2

Other versions available upon request.



Pic. 1

Description	Part Number	Note	Pic.
HFBR-4505Z, V-PIN adapter	2010975	Grey	1
HFBR-4515Z, V-PIN adapter	2010981	Blue	1
HFBR-4593Z, Polishing set for POF V-PIN	2010988		
Other versions available upon request.			

Montagezubehör

Alle benötigten Werkzeuge und Verbrauchsmaterialien zur Steckermontage können bei LASER COMPONENTS bezogen werden.



Assembly Tools and Accessories

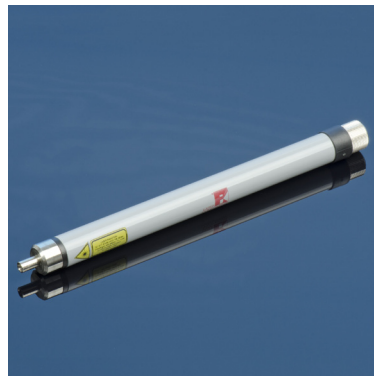
All assembly tools and accessories needed for connectorization can be obtained from LASER COMPONENTS.

Werkzeuge

Tools



Pic. 1



Pic. 2



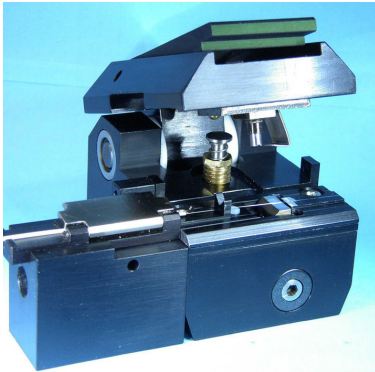
Pic. 3

Description	Part Number	Note	Pic.
Polishing disc SMA	2014607		1
Polishing disc ST	2014608		1
Polishing disc POF 2.2	2014609		1
Polishing disc FO5	3000034		1
Polishing disc FC	2014618		1
Polishing disc V-PIN	2014613		1
Polishing set POF V-PIN	2010988		
Cutting tool for POF	2014612		
Fiber Tester Fibercheck	3002425		2
Other versions available upon request.			

Description	Part Number	Note	Pic.
Fiber stripper blue 0.18/0.30	2011577		3
Fiber stripper red 0.20/0.65	2011586		3
Fiber stripper red 0.25/0.65	2011582		3
Fiber stripper red 0.30/0.90	2011578		3
Fiber stripper red 0.40/1.10	2011579		3
Fiber stripper red 0.50/1.20	2011580		3
Fiber stripper red 0.60/1.30	2011585		3
Fiber stripper red 0.80/1.40	2011581		3
Fiber stripper red 1.00/2.20	2011583		3
Fiber stripper red 0.70/1.20	2011588		3
Fiber stripper red 1.30/2.40	2011590		3
Fiber stripper red 1.10/2.20	2011591		3
Fiber stripper yellow 0.12/0.40	2011589		3
Fiber stripper yellow 0.30 – 1.00	2011584		3
Fiber stripper yellow 0.75 – 2.50	2011587		3
MediStrip 0.3/0.60	2007838		3
MediStrip 0.35/0.50	2007841		3
MediStrip 0.40/0.80	2007842		3
MediStrip 0.45/0.80	2007865		3
MediStrip 0.50/0.90	2007839		3
MediStrip 0.55/0.90	2007857		3
MediStrip 0.60/1.2	2007845		3
MediStrip 0.65/1.2	2007846		3
MediStrip 0.70/1.2	2007840		3
MediStrip 0.75/1.4	2007859		3
MediStrip 0.80/1.4	2007860		3
MediStrip 0.85/1.4	2007861		3
MediStrip 0.90/1.5	3003791		3
MediStrip 0.95/1.5	2007862		3
MediStrip 1.00/1.5	2007863		3
MediStrip 1.10/1.5	2007864		3
Other versions available upon request.			

Fasertrenngeräte

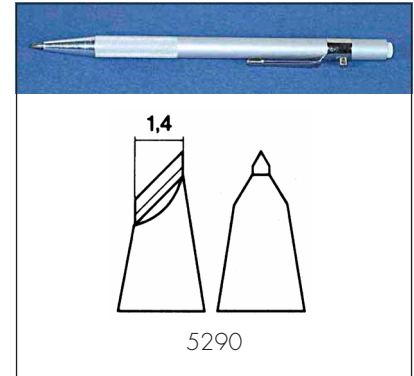
Fiber Cleave Tools



Pic. 1



Pic. 2



Pic. 3

Description	Part Number	Note	Pic.
HSTC-2001 / Fiber Optic Cleaver	3004885	80 μm / 125 μm / 200 μm	1
HSAFC-20XX High Strength Angeled Fiber Cleaver	3004886	125 μm	1
Fiber Optic Cleave INFOCUT I.200.3	2014994	200 μm – 1500 μm	2
Cleaving Knife 5290	2012948	45°	3

Other versions available upon request.

Verbrauchsmaterial

Consumables



Pic. 1

Description	Part Number	Note	Pic.
Epotek 353 ND	2014610	Two components / heat curing epoxy	
Polishing film 15 µm (10 pcs)	2008478	Silizium Carbid / SiC	1
Polishing film 12 µm yellow (10 pcs)	2008479	AlO2	1
Polishing film 5 µm brown (10 pcs)	2008480	AlO2	1
Polishing film 3 µm pink (10 pcs)	2008481	AlO2	1
Polishing film 1 µm light green (10 pcs)	2008482	AlO2	1
Polishing film 0.3 µm white (10 pcs)	2008483	AlO2	1
Grinding paste	2014617	Graining size 1000	
Other versions available upon request.			

Description	Part Number	Note	Pic.
2,5 mm Stick Cleaner (10 pcs)	3000467	for adapter	
1,25 mm Stick Cleaner (10 pcs)	3003909	for adapter	

Description	Part Number	Note	Pic.
2,5 mm Pipe Cleaner (5 pcs)	3003910	for connectors	
1,25 mm Pipe Cleaner (10 pcs)	3003911	for connectors	

Laser Components GmbH (Germany)
Laser Components UK Ltd. (UK)
Laser Components USA Inc. (USA)
Laser Components S.A.S. (France)



www.lasercomponents.com

Germany:
LASER COMPONENTS GmbH
fon: +49 8142 2864-0
fax: +49 8142 2864-11
info@lasercomponents.com

Great Britain:
LASER COMPONENTS UK Ltd.
Phone: +44 1245 491 499
Fax: +44 1245 491 801
info@lasercomponents.co.uk

USA:
LASER COMPONENTS USA Inc.
Phone: +1 603 821 7040
Fax: +1 603 821 7041
info@laser-components.com

France:
LASER COMPONENTS S.A.S.
fon: + 33 1 3959 5225
fax: + 33 1 3959 5350
info@lasercomponents.fr