

Visible APC Laser Module LC-LMC-635-09-05-60-A-C

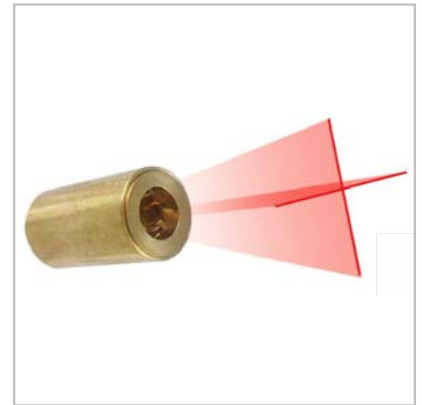
Ø 9.0 mm, 635 nm Cross Line Laser Generator

Features

1. APC (auto power control) IC inside
2. Plastic lens and brass housing

Part Number

LC-LMC — 635 — 09 — 05 — 60 — A — C



Absolute Maximum Ratings

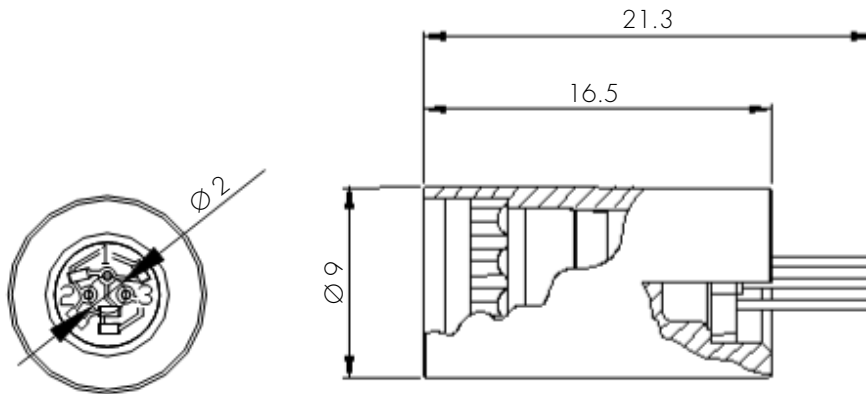
Parameter	Symbol	Rating	Unit
Power supply voltage	V_{CC}	3.3	V
Laser module optical output power	P_o	< 5	mW
Operation temperature	T_{opr}	0 ~ 50	°C
Storage temperature	T_{stg}	0 ~ 60	°C

Electrical and Optical Characteristics ($T_c = 25\text{ }^\circ\text{C}$)

Parameter	Symbol	Min.	Typ.	Max	Unit	Condition
Wavelength	λ	632	635	645	nm	$P_o = 5\text{ mW}$
Operation current	I_{op}	-	-	50	mA	$P_o = 5\text{ mW}$; $V_{cc} = 3\text{ V}$
Operation output power	P_{out}	3.7		5	mW	$V_{cc} = 3\text{ V}$
Operation voltage	V_{op}	2.5		3.3	Volt	
Emitting angle				60°		

*Sufficient heat dissipation is required for CW operation.

Outline Dimensions (Units: mm)



With 100 mm leads
red: V_{cc}
black: GND